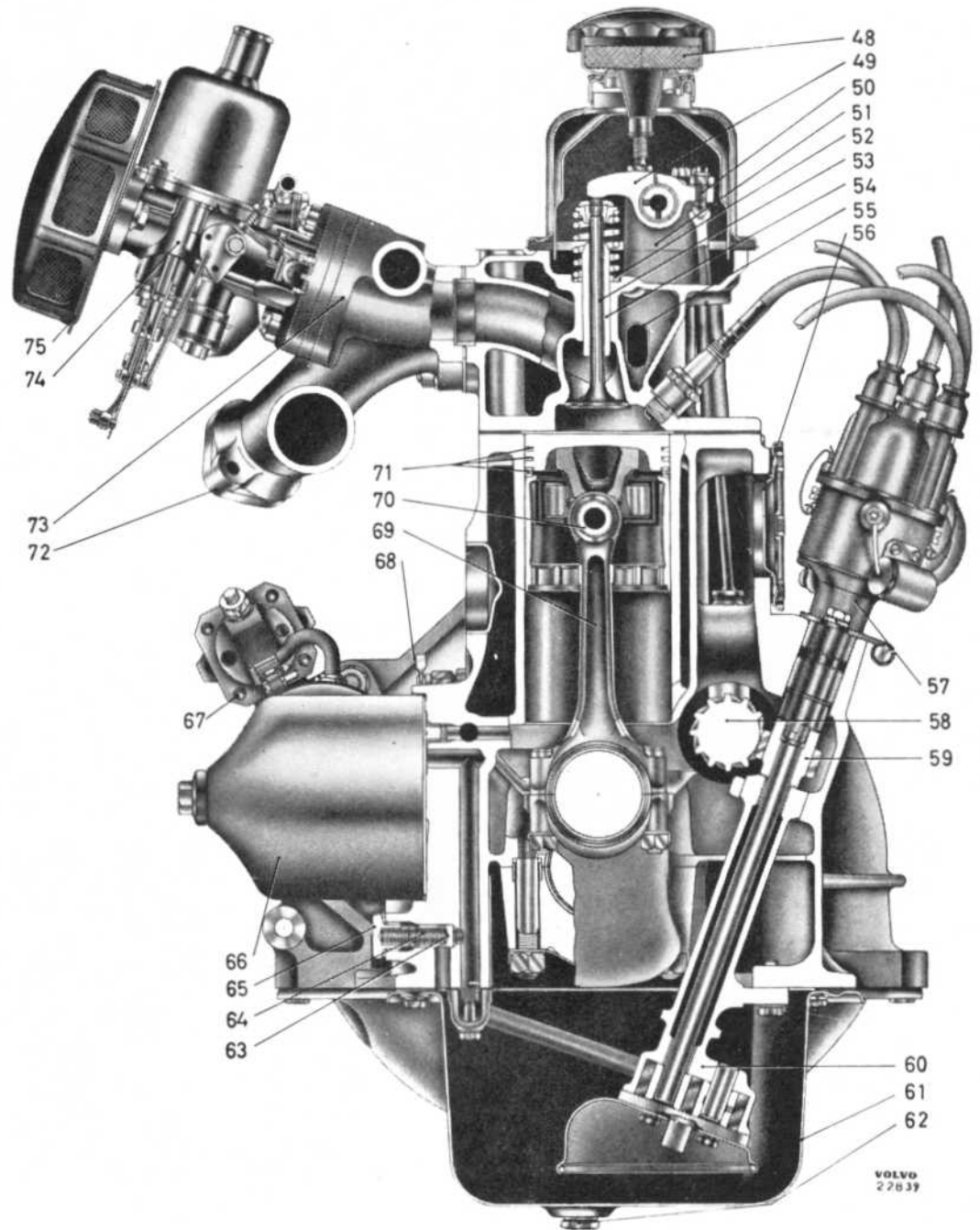


Longitudinal and cross-sections of B 16 B

- | | | |
|-----------------------------------|--------------------------------------|---|
| 1. Fan | 16. Gasket | 31. Main bearing shell (flange bearing) |
| 2. Water pump | 17. Cylinder head | 32. Bearing cap |
| 3. Fan belt | 18. Cylinder head gasket | 33. Oil pipe |
| 4. Thermostat housing, upper part | 19. Cylinder block | 34. Oil pump |
| 5. Thermostat | 20. Push rod | 35. Main bearing shell |
| 6. Valve spring seat | 21. Valve lifter | 36. Piston |
| 7. Rubber ring | 22. Camshaft | 37. Crankshaft |
| 8. Valve | 23. Bushing | 38. Connecting rod bearing shell |
| 9. Valve retainer | 24. Ring gear | 39. Seal plate |
| 10. Forward carburetor | 25. Seal washer | 40. Crankshaft gear |
| 11. Rear carburetor | 26. Flywheel | 41. Oil stinger ring |
| 12. Bushing | 27. Retainer | 42. Timing gear casing |
| 13. Rocker arm shaft | 28. Ball bearing | 43. Felt seal |
| 14. Seal washer | 29. Felt seal | 44. Key |
| 15. Rocker cover | 30. Sealing flanges, upper and lower | 45. Key |



and cross-sections of B 16 B engine.

- | | |
|--|-------------------------------------|
| 46. Guide flange | 61. Oil pan |
| 47. Camshaft gear | 62. Drain plug |
| 48. Filler cap (right-hand illustration) | 63. Relief valve plunger |
| 49. Rocker arm | 64. Relief valve spring |
| 50. Setscrew | 65. Nut and washer for relief valve |
| 51. Bearing bracket | 66. Oil cleaner |
| 52. Valve spring | 67. Starter motor solenoid |
| 53. Valve | 68. Water drain cock |
| 54. Valve guide | 69. Connecting rod |
| 55. Water distribution pipe | 70. Piston pin |
| 56. Inspection cover | 71. Piston rings |
| 57. Distributor | 72. Exhaust manifold |
| 58. Camshaft gear | 73. Intake manifold |
| 59. Pump gear | 74. Carburetor (rear) |
| 60. Oil pump | 75. Air cleaner |