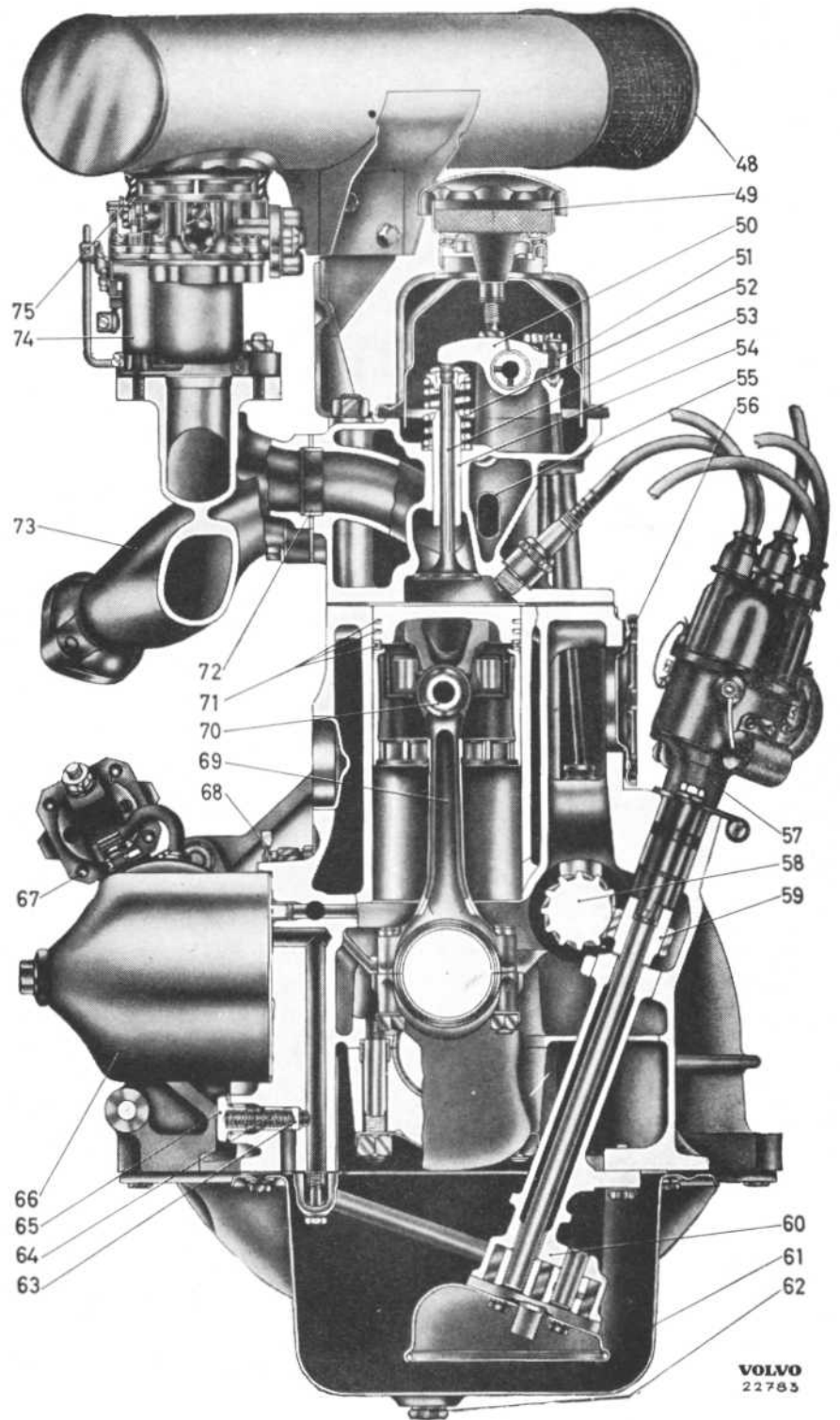


Longitudinal and cross sections of B 16 A engine.

- |                                   |                          |   |   |
|-----------------------------------|--------------------------|---|---|
| 1. Fan                            | 14. Seal washer          | 28. Ball bearing                        | 39. Seal plate                            |
| 2. Water pump                     | 15. Rocker cover         | 29. Felt seal                           | 40. Crankshaft gear                       |
| 3. Fan belt                       | 16. Gasket               | 30. Sealing flanges, upper and lower    | 41. Oil stinger ring                      |
| 4. Thermostat housing, upper part | 17. Cylinder head        | 31. Main bearing shell (flange bearing) | 42. Timing gear casing                    |
| 5. Thermostat                     | 18. Cylinder head gasket | 32. Bearing cap                         | 43. Felt seal                             |
| 6. Valve spring seat              | 19. Cylinder block       | 33. Oil pipe                            | 44. Key                                   |
| 7. Rubber ring                    | 20. Push rod             | 34. Oil pump                            | 45. Key                                   |
| 8. Valve                          | 21. Valve lifter         | 35. Main bearing shell                  | 46. Guide flange                          |
| 9. Valve retainer                 | 22. Camshaft             | 36. Piston                              | 47. Camshaft gear                         |
| 10. Spring                        | 23. Bushing              | 37. Crankshaft                          | 48. Air cleaner (right-hand illustration) |
| 11. Bearing bracket               | 24. Seal washer          | 38. Connecting rod bearing shell        | 49. Cap with breather                     |
| 12. Bushing                       | 25. Ring gear            |   | 50. Rocker arm                            |
| 13. Rocker arm shaft              | 26. Flywheel             |   | 51. Setscrew with lock nut                |
|                                   | 27. Retainer             |   |   |



- |                             |                                     |
|-----------------------------|-------------------------------------|
| 52. Valve spring            | 65. Nut and washer for relief valve |
| 53. Valve                   | 66. Oil cleaner                     |
| 54. Valve guide             | 67. Starter motor solenoid          |
| 55. Water distribution pipe | 68. Water drain cock                |
| 56. Inspection cover        | 69. Connecting rod                  |
| 57. Distributor             | 70. Piston pin                      |
| 58. Camshaft gear           | 71. Piston rings                    |
| 59. Pump gear               | 72. Guide sleeve                    |
| 60. Oil pump                | 73. Exhaust manifold                |
| 61. Oil pan                 | 74. Carburetor                      |
| 62. Drain plug              | 75. Rubber gasket                   |
| 63. Relief valve plunger    |                                     |
| 64. Relief valve spring     |                                     |