

VOLVO**Group 875 No. A2**

Service Bulletin.

WINDSCREEN WIPERS

Only for Volvo Dealers Service Bulletin file.

Electric windscreen wipers.

PV 444 cars are now being fitted with electric windscreen wipers.

These wipers can also be fitted on earlier model PV 444 cars with the exception of the very first cars built (then known as model A).

When replacing vacuum wipers with electric wipers, follow the procedure below.

1. Increase the size of the holes for the wiper arm shafts from 17 mm (43/64") to 19,5 mm (49/64"). See Fig. 1.
2. Connect the cables between the windscreen wiper motor and the switch and fit the separate cable to the switch. See the wiring diagram in Fig. 2.
3. Fit the windscreen wipers. Note the spacer washer between the wiper lower attachment and the body and the location of the rubber seals. See Figures 3 and 4.
4. Fit the switch. This is fitted where the vacuum wiper switch was earlier.
5. Connect the separate cable to the fuse-box.

N.B. The cable should be connected so that the wiper is protected and cut out when the ignition is switched off.

A complete set consisting of electric windscreen wipers with link arms, shafts, switch, cables, screws, washers and nuts is available from our Spare Parts Department. This set has Part No. 279310.

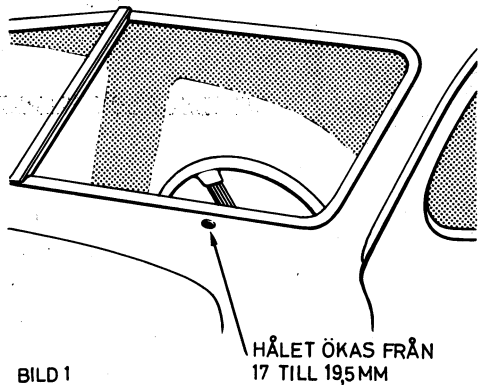


BILD 1

Fig. 1

INCREASE HOLE
FROM 17 mm (43/64")
TO 19.5 mm (49/64")

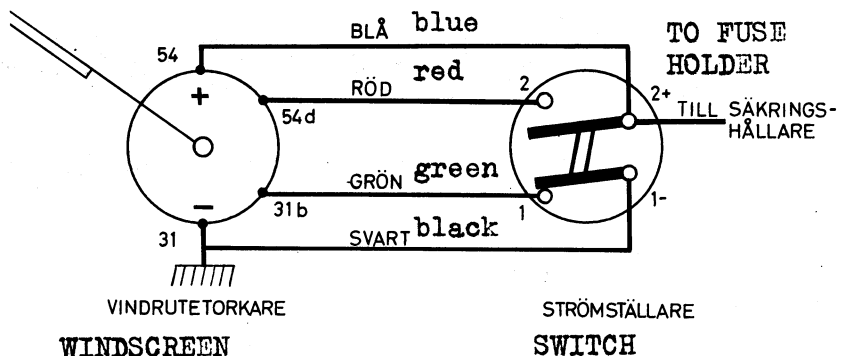


BILD 2

Fig. 1

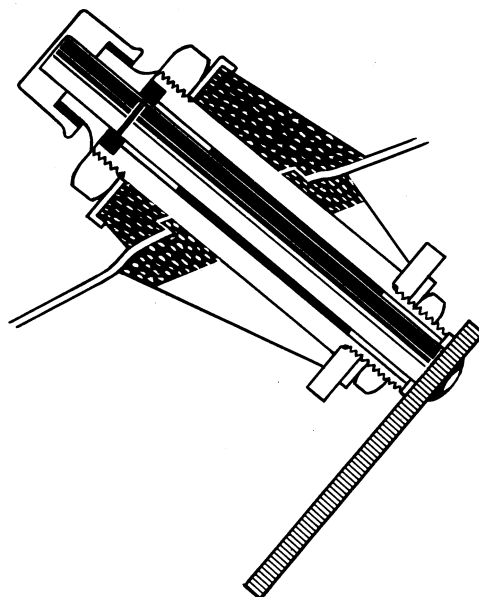
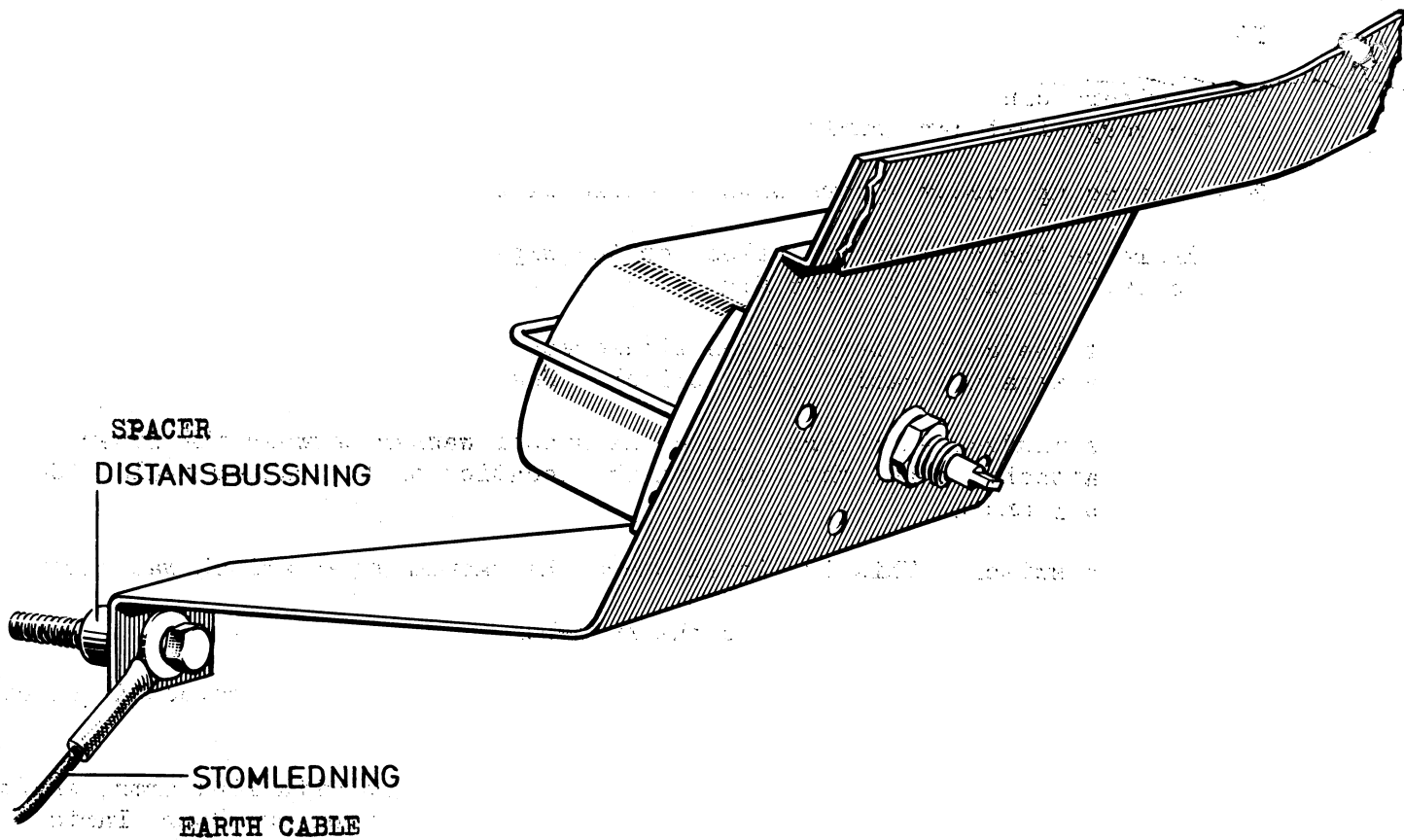


BILD 4

Fig. 4