

SCHEDULED SERVICES - TURBO

1995 Volvo 850

1994-96 MAINTENANCE
Volvo Maintenance & Service Intervals - Turbo

1994-96 850 Turbo Sedan
1995-96 850 T-5R Turbo Sedan
1994-96 850 Turbo Sportswagon
1995-96 850 T-5R Turbo Sportswagon

* PLEASE READ THIS FIRST *

NOTE: All SERVICE SCHEDULES are listed for normal service vehicles. If vehicle is operated under severe service conditions, see SEVERE SERVICE REQUIREMENTS (PERFORM W/SERVICE SCHEDULES) for items requiring additional maintenance.

NOTE: This article contains scheduled maintenance service information. Fluid types and capacities listed with each service in this article are only those necessary to perform that scheduled service. For specifications pertaining to fluid capacities for the entire vehicle, fuse and circuit breaker identification, wheel and tire size, battery type, warranty information, or model identification refer to the MAINTENANCE INFORMATION article in this section.

CAUTIONS & WARNINGS

SUPPLEMENTAL RESTRAINT SYSTEM (AIR BAG)

NOTE: See the AIR BAGS article in the ACCESSORIES/SAFETY EQUIPMENT Section.

Modifications or improper maintenance, including incorrect removal and installation of the Supplemental Restraint System (SRS), can adversely affect system performance. DO NOT cover, obstruct or change the steering wheel horn pad in any way, as such action could cause improper function of the system. Use only plain water when cleaning the horn pad. Solvents or cleaners could adversely affect the air bag cover and cause improper deployment of the system.

WARNING: To avoid injury from accidental air bag deployment, read and carefully follow all warnings and service precautions. See appropriate AIR BAGS article in ACCESSORIES/SAFETY EQUIPMENT.

CAUTION: Disconnect negative battery cable before servicing any air bag system, steering column or passenger side dash component. After any repair, turn ignition key to the ON position from passenger's side of vehicle in case of accidental air bag inflation

SUPPLEMENTAL RESTRAINT SYSTEM (SRS) AIR BAR WARNING

NOTE: For information on air bag DIAGNOSIS & TESTING or DISPOSAL PROCEDURES, see AIR BAGS article in the ACCESSORIES/SAFETY EQUIPMENT Section.

System circuit is grounded by 2 screws beneath the driver's seat. DO NOT use these screws to ground any other accessory. DO NOT

ground any other components near this system.

SIDE IMPACT PROTECTION SYSTEM (SIPS) - 1995-96 MODELS

NOTE: For information on air bag DIAGNOSIS & TESTING or DISPOSAL PROCEDURES, see AIR BAGS article in the ACCESSORIES/SAFETY EQUIPMENT Section.

AIR CONDITIONING SERVICING

CAUTION: Avoid breathing R-134a refrigerant and PAG lubricant vapors, exposure may irritate eyes, nose and throat. To remove R-134a from system use R-134a recycling equipment that meets SAE J2210 specifications. If accidental system discharge occurs, ventilate work area before resuming service.

WARNING: R-134a service equipment or vehicle A/C systems SHOULD NOT be pressure tested or leak tested with compressed air. Some mixtures of air/R134a have shown to be combustible at elevated pressures. These mixtures are dangerous and may cause fire and/or explosions. See AIR CONDITIONING SERVICE article in GENERAL INFORMATION section.

ANTI-LOCK BRAKE SYSTEM

The anti-lock brake system contains electronic equipment that can be susceptible to interference caused by improperly installed or high output radio transmitting equipment. Since this interference could cause the possible loss of the anti-lock braking capability, such equipment should be installed by qualified professionals.

On models equipped with anti-lock brake systems, ALWAYS observe the following cautions:

- * DO NOT attempt to bleed hydraulic system without first referring to the appropriate ANTI-LOCK BRAKE SYSTEM article in the BRAKES Section.
- * DO NOT mix tire sizes. As long as tires remain close to the original diameter, increasing the width is acceptable. Rolling diameter must be identical for all 4 tires. Some manufacturers recommend tires of the same brand, style and type. Failure to follow this precaution may cause inaccurate wheel speed readings.
- * Use ONLY recommended brake fluids. DO NOT use silicone brake fluids in an ABS-equipped vehicle.

BATTERY WARNING

WARNING: When battery is disconnected, vehicles equipped with computers may lose memory data. When battery power is restored, driveability problems may exist on some vehicles. These vehicles may require a relearn procedure. See COMPUTER RELEARN PROCEDURES article in GENERAL INFORMATION section.

REPLACING BLOWN FUSES

Before replacing a blown fuse, remove ignition key, turn off all lights and accessories to avoid damaging the electrical system. Be sure to use fuse with the correct indicated amperage rating. The use of an incorrect amperage rating fuse may result in a dangerous electrical system overload.

BRAKE SYSTEM

CAUTION: If brake warning light comes on while driving it indicates a low fluid level or failure in one of the braking circuits. If the brake pedal can be depressed further than normal it is an indication that one of the brake circuits is not functioning. Stop vehicle and check brake reservoir fluid level. If level is below MIN mark, DO NOT drive vehicle. Have it towed to a repair shop. If level is between the MIN and MAX marks, proceed cautiously to a repair shop.

BRAKE PAD WEAR INDICATOR

Indicator will cause a squealing or scraping noise, warning that brake pads need replacement.

CATALYTIC CONVERTER

Continued operation of vehicle with a severe malfunction could cause converter to overheat, resulting in possible damage to converter and vehicle.

Any modification to the exhaust system on turbo models, which reduces exhaust backpressure, will lead to lean fuel mixtures and excessive spark advance. This could cause serious engine damage.

ELECTROSTATIC DISCHARGE SENSITIVE (ESD) PARTS

WARNING: Many solid state electrical components can be damaged by static electricity (ESD). Some will display a warning label, but many will not. Discharge personal static electricity by touching a metal ground point on the vehicle prior to servicing any ESD sensitive component.

ENGINE OIL

CAUTION: Never use non-detergent or straight mineral oil.

FUEL SYSTEM SERVICE

WARNING: Relieve fuel system pressure prior to servicing any fuel system component (fuel injection models).

HALOGEN BULBS

Halogen bulbs contain pressurized gas which may explode if overheated. DO NOT touch glass portion of bulb with bare hands. Eye protection should be worn when handling or working around halogen bulbs.

RADIATOR CAP

CAUTION: Always disconnect the fan motor when working near the radiator fan. The fan is temperature controlled and could start at any time even when the ignition key is in the OFF position. DO NOT loosen or remove radiator cap when cooling system is hot.

RADIATOR FAN

WARNING: Keep hands away from radiator fan. Fan is controlled by a

thermostatic switch which may come on or run for up to 15 minutes even after engine is turned off.

TURBOCHARGED MODELS

CAUTION: Do not race engine immediately after starting. When stopping engine, allow engine to idle for approximately 60 seconds before shutting it off. Failure to do so may cause turbocharger damage due to lack of oil flowing to the turbocharger bearings.

WHEELS & TIRES

Only wheels tested and approved by the manufacturer should be used on models equipped with Air Dam aerodynamic components.

SERVICE POINT LOCATIONS

Engine compartment 850 Turbo (engine B 5234 T)

- 1 Expansion tank, coolant
- 2 Engine designation plate
- 3 Oil filler cap, engine
- 4 Clutch/brake system fluid reservoir
- 5 Fuse box
- 6 Washer fluid reservoir
- 7 Power steering fluid reservoir
- 8 Dipstick - engine oil
- 9 Dipstick - automatic transmission
- 10 Air cleaner
- 11 Battery
- 12 Data plate

50111922

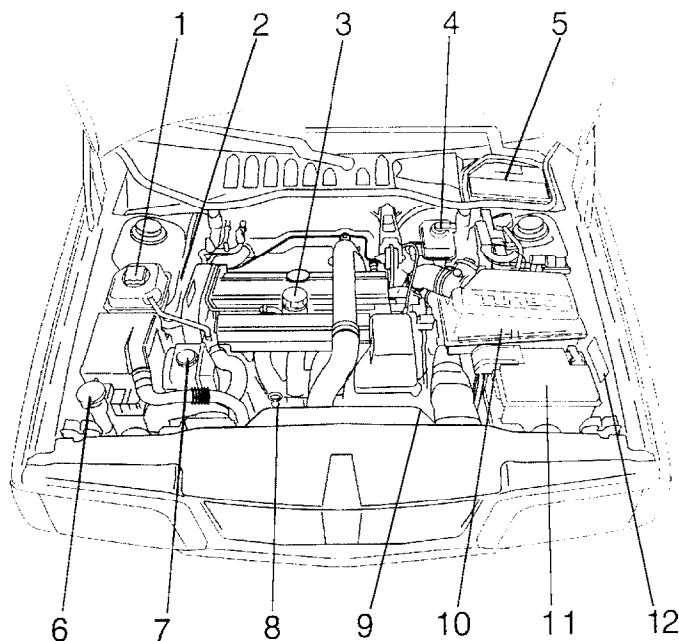


Fig. 1: Service Point Locations (Turbo)
Courtesy of Volvo Cars of North America.

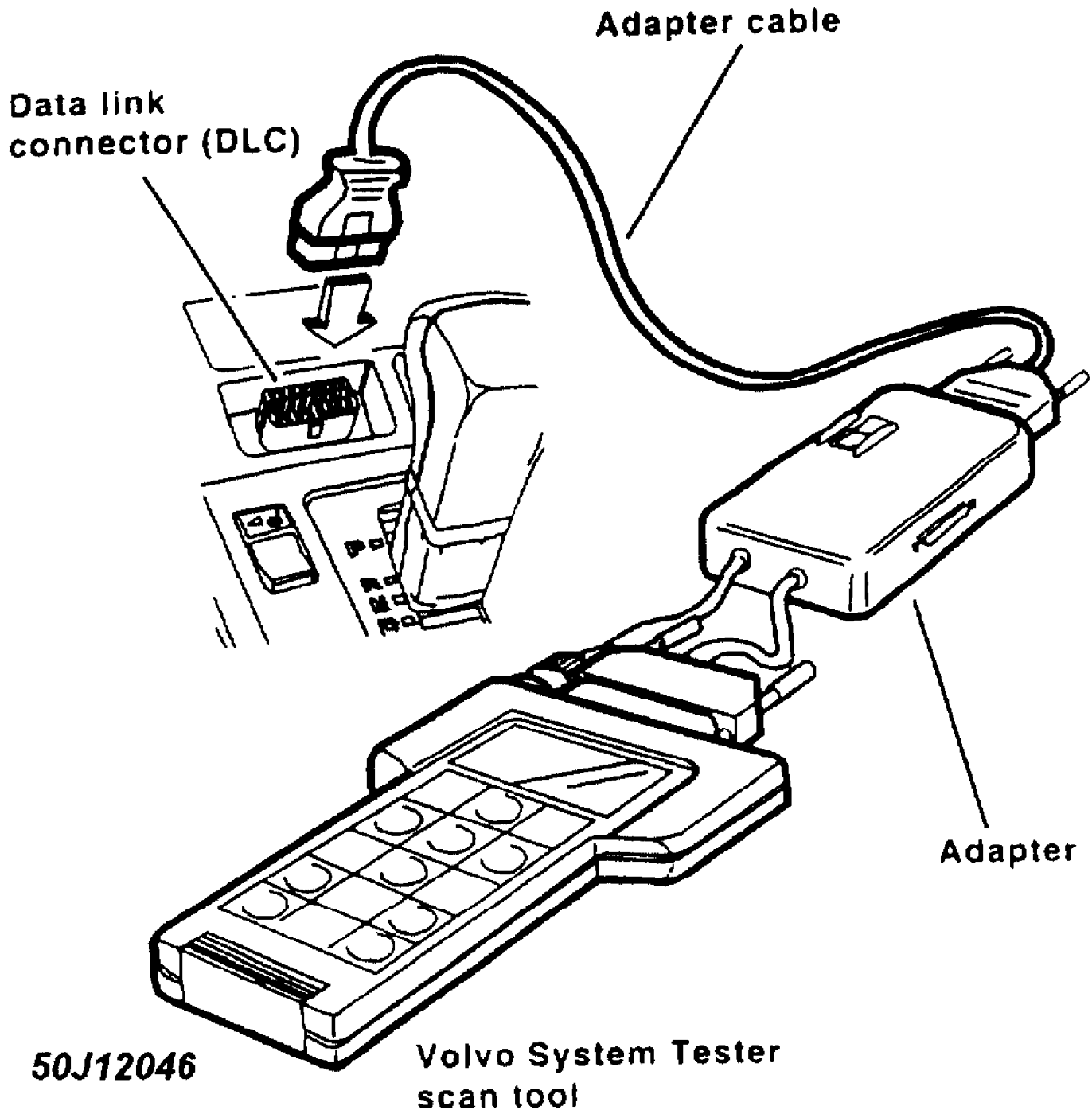
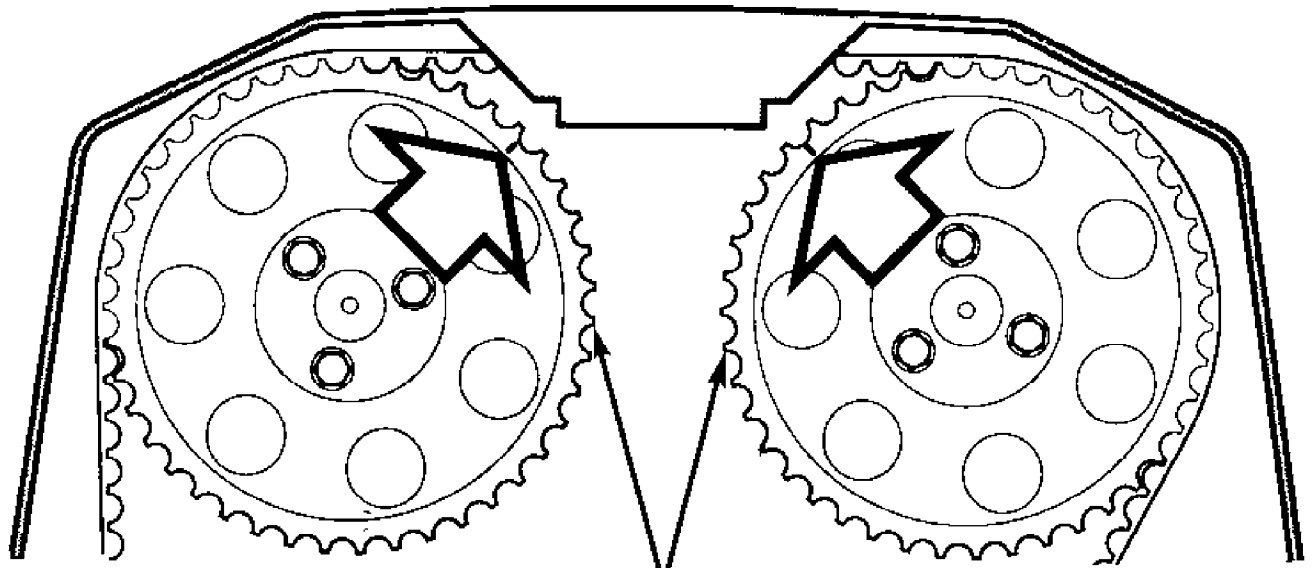
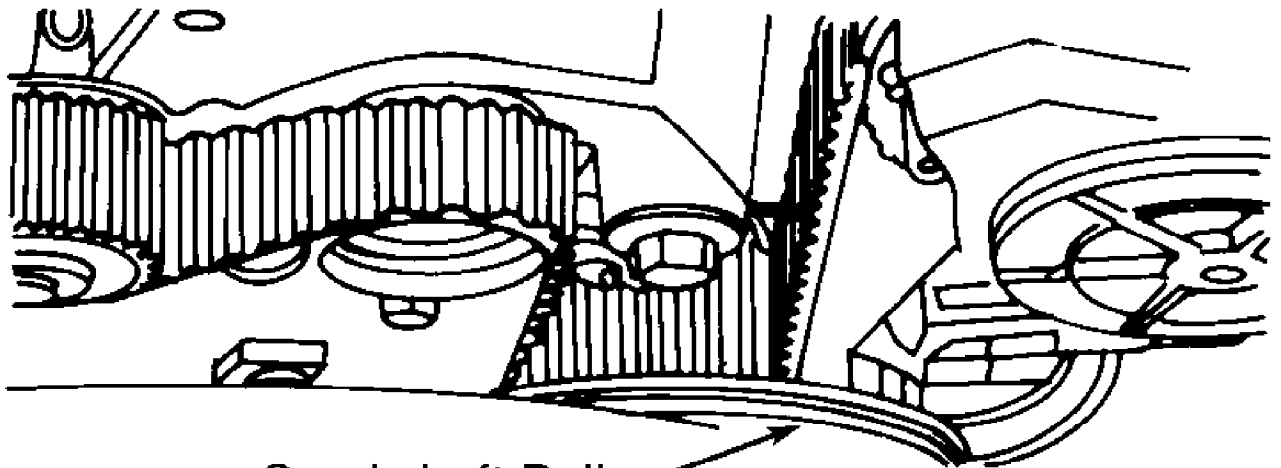


Fig. 2: OBD II Diagnostic Link Connector Location (1996)
Courtesy of Volvo Cars of North America.

ALIGNING CAMSHAFT TIMING MARKS



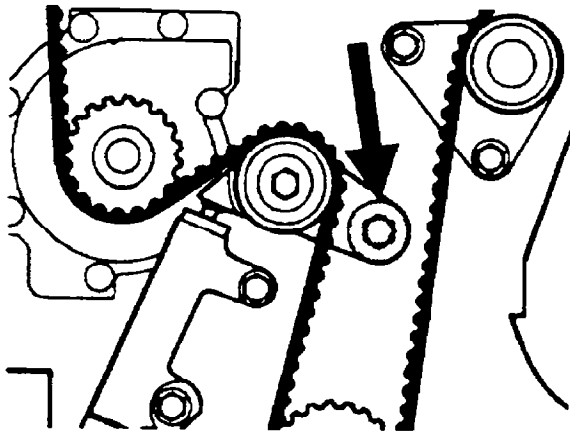
Camshaft Pulley



Crankshaft Pulley

93E01228

Fig. 3: Aligning Camshaft & Crankshaft Timing Marks
Courtesy of Volvo Cars of North America.



50H11905

Lubricating bushing

Remove:

- lever mounting screw
- tensioner pulley
- sleeve behind screw.

Lubricate surfaces of bushing, screw and sleeve with grease P/N 1161246-2 (50 grams) or 1161247-0 (500 grams).

Reinstall:

- sleeve
- tensioner pulley
- lever mounting screw.

Torque screw to 29 ± 5 ft lb = 39 ± 5 Nm.

Torques:

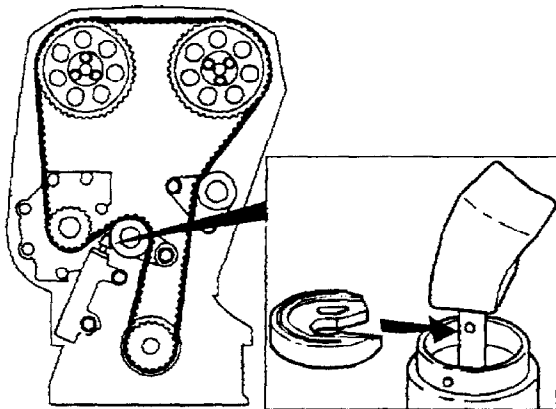
Pulley lever: **30 ft lb = 40 Nm**

Idler pulley: **18 ft lb = 25 Nm**

Fig. 4: Lubricating Tensioner Pulley Bushing (Pivot Bearing)
Courtesy of Volvo Cars of North America.

CAUTION: Lubrication of the Tensioner Pulley Bushing is REQUIRED on 1993 Models, it is recommended that the bushing be checked for free play and lubrication on 1994-95 models.

NOTE: For more information regarding camshaft timing belt service refer to the 2.3L 5-CYL TURBO article in the ENGINE MECHANICAL section.



Washer installation

Place **new** washer on piston stem of belt tensioner.

Check that washer centers on piston stem and tensioner case.

NOTE!

Make sure that correct side of washer is turned up. The countersunk side should face up. See illustration.

50I11906

Fig. 5: Installing Washer on Timing Belt Tensioner
Courtesy of Volvo Cars of North America.

MODEL 850 TIMING BELT REPLACEMENT TABLE

Model Year	Part Number	50K	60K	70K	80K	90K	100K
1993*	271952-4	X					X
1994-	271834-4			E			

* = Late M/Y 93 850's (from engine no. 131035) should have M/Y 94 timing belt (p/n 271834-4). See Parts Bulletin 21-13 and Tech DCS 21-02.
E = Recommended timing belt replacement
X = Required timing belt replacement

NOTE: On 1993 850's, lubricate timing belt tensioner pivot bearing during timing belt replacement.

LUBRICATING AUXILIARY DRIVE BELT TENSIONER

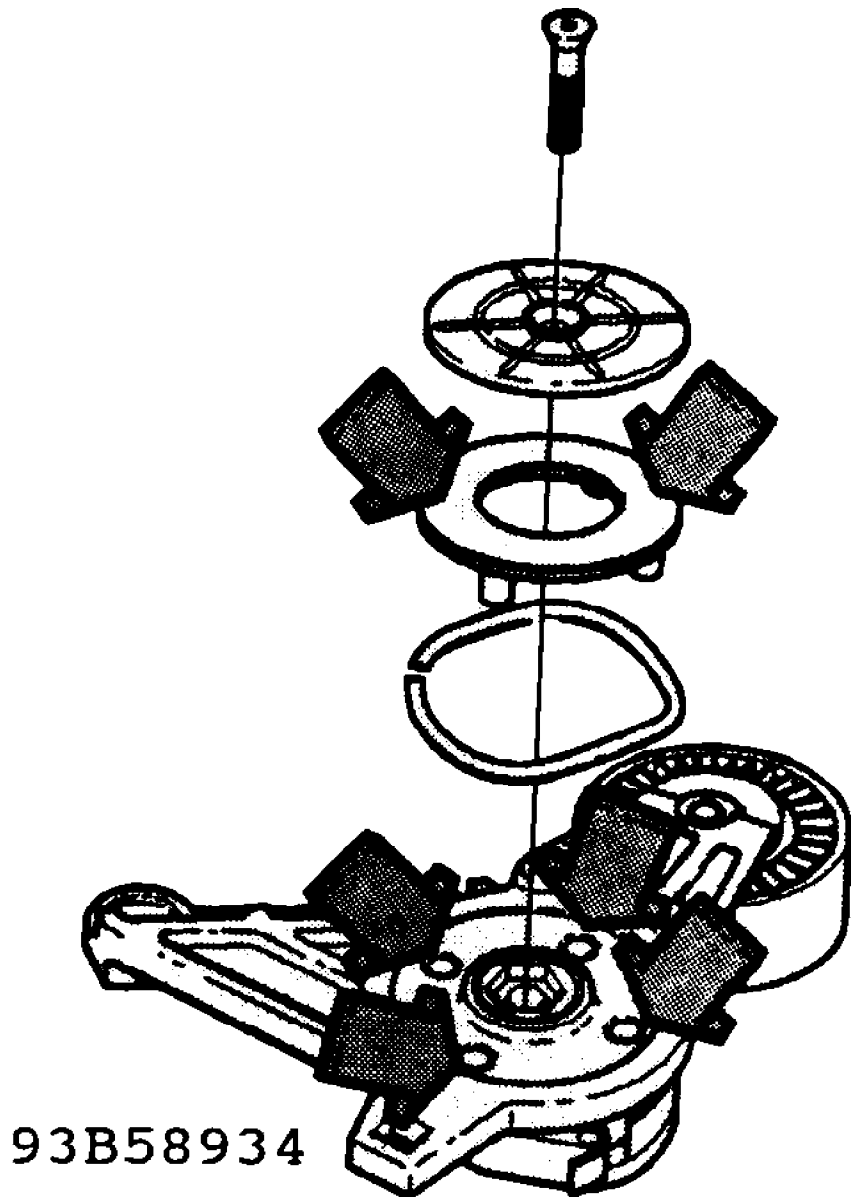


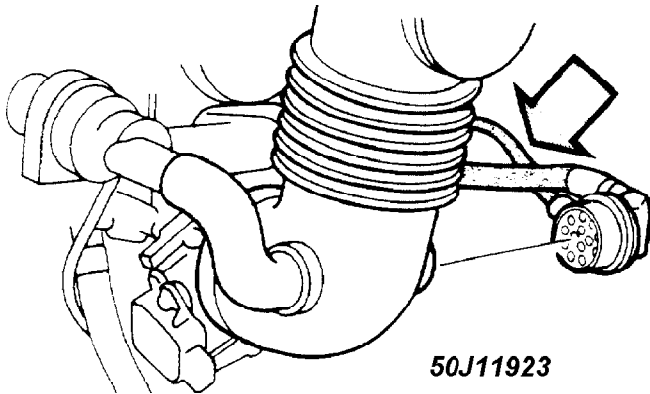
Fig. 6: Auxiliary Drive Belt Tensioner Lubrication Points
Courtesy of Volvo Cars of North America.

NOTE: The automatic tensioner for the auxiliary drive belt must be greased every 30,000 miles (45,000 km) or if an abnormal

noise is heard from the tensioner.

NOTE: The auxiliary drive belt and automatic tensioner must be removed from engine in order to properly lubricate.

FLAME TRAP MAINTENANCE - PCV SYSTEM



Check flame trap

Remove flame trap by rotating it approx. $0.59^{\circ} = 15 \text{ mm}$ left (bayonet catch).

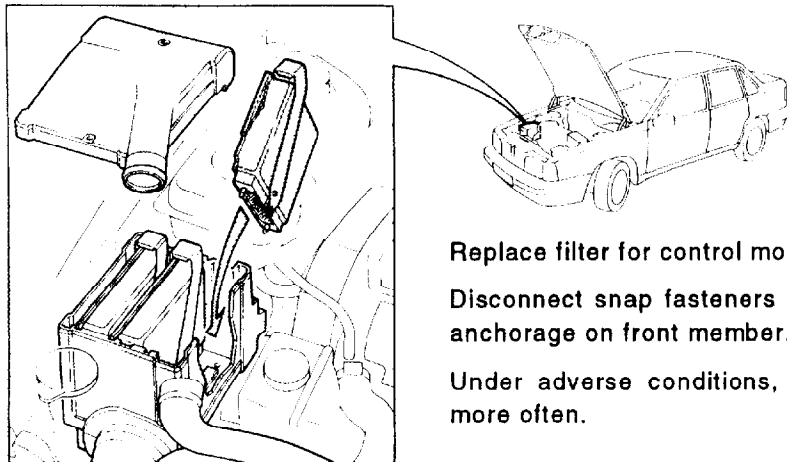
Blow clean hoses towards crankcase ventilation.

Important

Do not undo hoses from flame trap outer casing.
Hose location may affect function of throttle control.

Fig. 7: Flame Trap Location
Courtesy of Volvo Cars of North America.

CHANGING CONTROL MODULE BOX FILTER (1993)



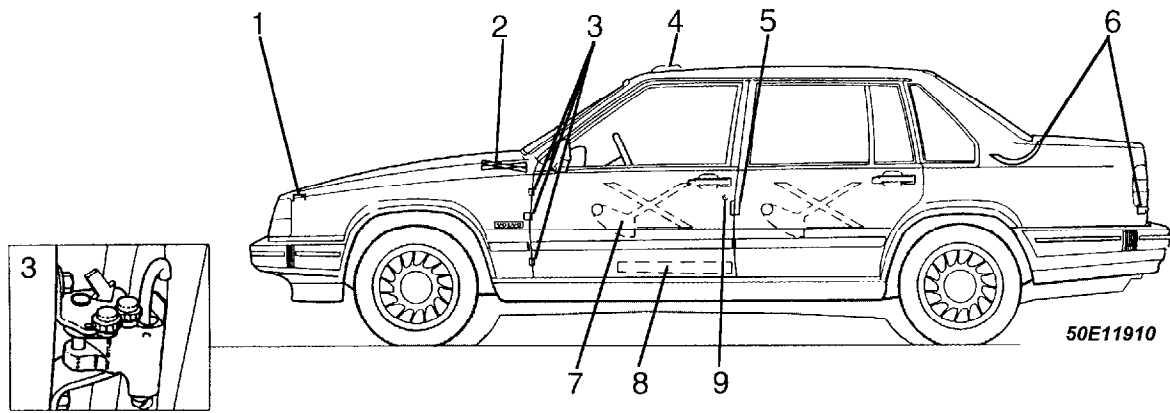
Replace filter for control module box.

Disconnect snap fasteners and remove air duct from anchorage on front member.

Under adverse conditions, filter should be replaced more often.

Fig. 8: Control Module Box Filter (1993)
Courtesy of Volvo Cars of North America.

BODY LUBRICATION POINTS

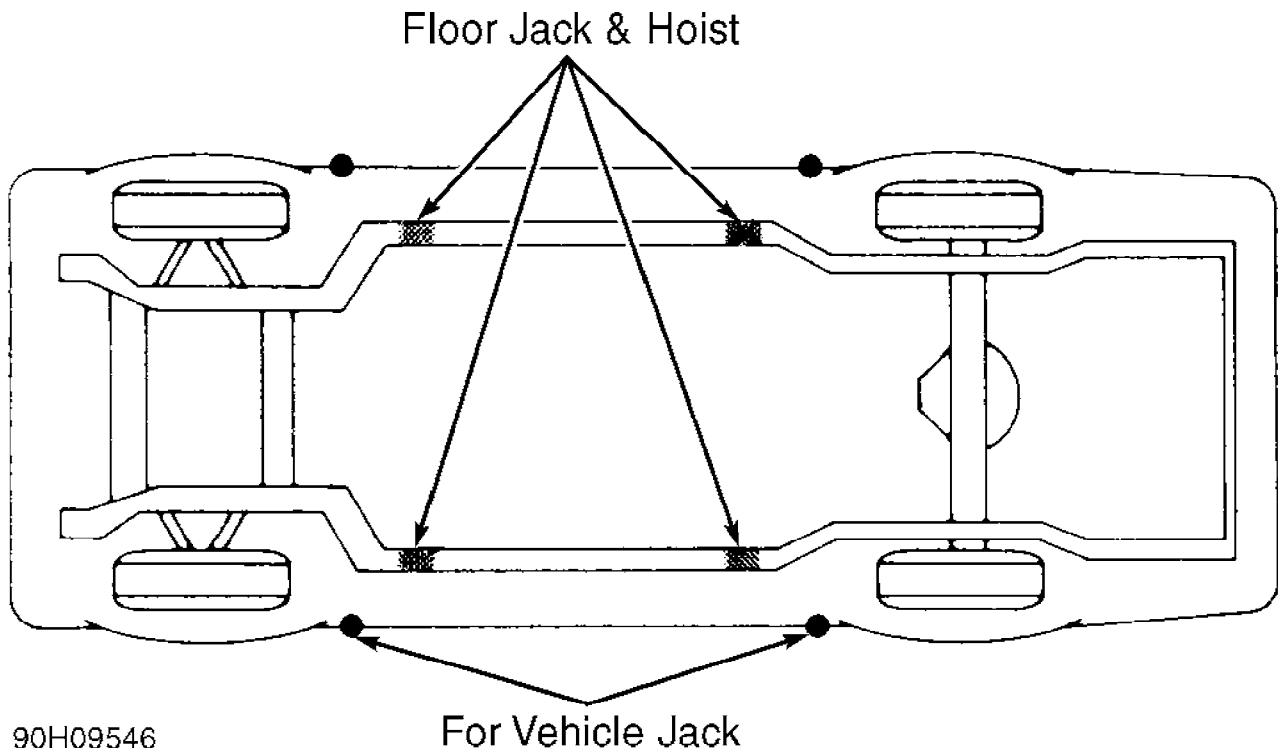


Door Stop

No. Lubricating hint	Lubricant	No. Lubricating hint	Lubricant
1 Hood lock and latch	Oil	7 Window regulator locking device (on inside of door)	Oil, grease low temperature grease
2 Hood hinges	Oil	8 Front seat slide rail and latch	Oil
3 Door stop and hinges	Oil	9 Door lock keyhole	Low temperature grease or Volvo Teflon lock oil
4 Sun roof wind deflector	Oil		
5 Door lock catch plate	Oil		
6 Trunk lid lock keyhole and hinges	Low temperature grease		

Fig. 9: Body Lubrication Points (Typical)
Courtesy of Volvo Cars of North America.

VEHICLE LIFT POINTS

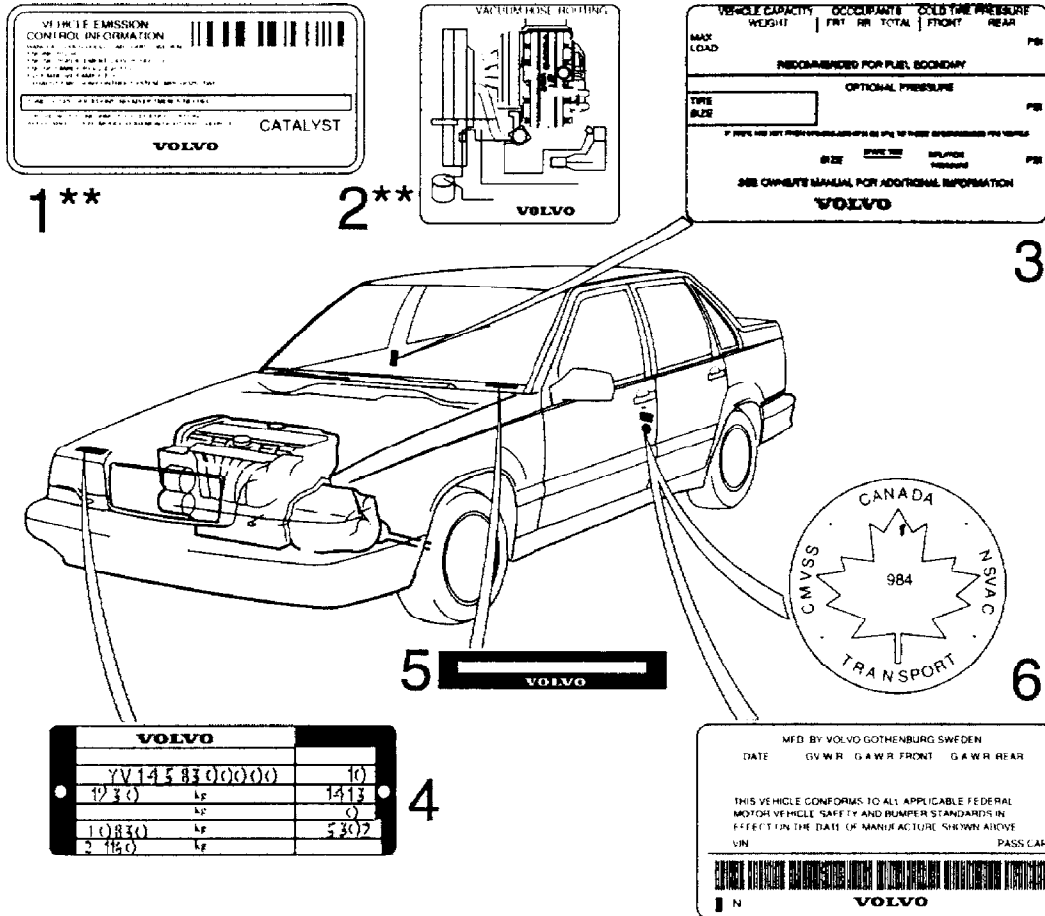


90H09546
Fig. 10: Vehicle Lift Points (Typical)
Courtesy of Volvo Cars of North America.

CAUTION: Use extreme caution when putting a T-5R model, or any model with a front spoiler and lowered suspension onto a lift.

NOTE: For more information regarding lifting and hoisting refer to the JACKING & HOISTING article in the WHEEL ALIGNMENT section.

INFORMATION LABEL LOCATIONS



- 1 Vehicle Emission Control Information**
- 2 Vacuum hose routing**
- 3 Loads and Tire Pressures**
- 4 Model plate**
- 5 Vehicle Identification Number (VIN) ***
- 6 Federal Motor Vehicle Safety Standards (FMVSS) specifications (USA) and Ministry of Transport (CMVSS) standards (Canada)**

* The Vehicle Identification Number (VIN) should always be quoted in all correspondence concerning your vehicle with the dealer and when ordering parts.
 ** These decals are located on the underside of the hood.

50C11926

All specifications are subject to change without notice.

Fig. 11: Information Label Locations
 Courtesy of Volvo Cars of North America.

WHEEL TIGHTENING

Tighten all wheel lug nuts to 80 ft. lbs. (110 N.m) using pattern shown in Fig. 12.

TIRE ROTATION PATTERNS

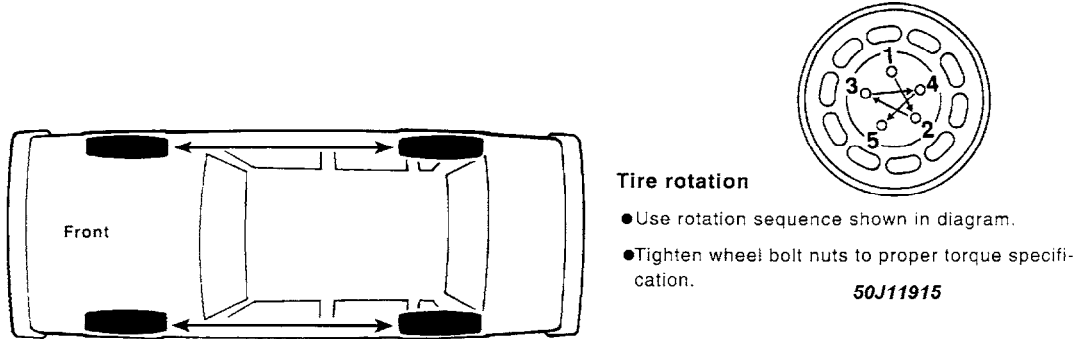


Fig. 12: Tire Rotation Pattern & Lug Nut Torque Pattern
 Courtesy of Volvo Cars of North America.

CAMSHAFT TIMING BELT REPLACEMENT INFORMATION

CAUTION: Failure to replace a faulty camshaft timing belt may result in serious engine damage.

The condition of camshaft drive belts should always be checked on vehicles which have more than 50,000 miles. Although some manufacturers do not recommend belt replacement at a specified mileage, others require it at 60,000-100,000 miles. A camshaft drive belt failure may cause extensive damage to internal engine components on most engines, although some designs do not allow piston-to-valve contact. These designs are often called "Free Wheeling".

Many manufacturers changed their maintenance and warranty schedules in the mid-1980's to reflect timing belt inspection and/or replacement at 50,000-60,000 miles. Most service interval schedules in this manual reflect these changes.

Belts or components should be inspected and replaced if any of the following conditions exist:

- * Cracks Or Tears In Belt Surface
- * Missing, Damaged, Cracked Or Rounded Teeth
- * Oil Contamination
- * Damaged Or Faulty Tensioners
- * Incorrect Tension Adjustment

CAMSHAFT TIMING BELT REPLACEMENT INTERVAL TABLE

Application	Interval (Miles)
1993	50,000
1994-96	70,000

SEVERE & NORMAL SERVICE DEFINITIONS

NOTE: Use the Severe Service schedule if the vehicle to be serviced is operated under ANY (one or more) of these conditions:

Service is recommended at mileage intervals based on vehicle operation. Service schedules are based on the following primary

operating conditions:

Normal Service

- * Driven More Than 10 Miles Daily
- * No Operating Conditions From Severe Service Schedule

Severe Service (Unique Driving Conditions)

- * Extended Idling Or Low Speed Operation
- * Frequent Short Trips Of Less Than 7 Miles
- * Extended Operation In Dusty Or Sandy Conditions
- * Trailer Towing Operations
- * Driving In Mountainous Conditions

SEVERE SERVICE REQUIREMENTS (PERFORM W/SERVICE SCHEDULES)

NOTE: The following services are to be performed on vehicles subjected to severe service. See SEVERE & NORMAL SERVICE DEFINITIONS. This service is to be performed in addition to the normal services listed in the NORMAL MAINTENANCE SERVICE SCHEDULES.

SEVERE SERVICE CONDITIONS/ACTIONS TABLE

Condition	Action	Item	Perform Every (1)
Extended Idling Or Low Speed Operation	Replace	Engine Oil & Filter	3,750 Miles or 3 Months
Frequent Short Trips Of Less Than 7 Miles	Replace	Engine Oil & Filter	3,750 Miles or 3 Months
Extended Operation In Dusty Or Sandy Conditions	Replace	Engine Oil & Filter	3,750 Miles or 3 Months
Trailer Towing Operations	Replace	Engine Oil & Filter	3,750 Miles or 3 Months
Driving In Mountainous Conditions	Replace	Engine Oil & Filter	3,750 Miles or 3 Months

(1) - Perform these services at the mileage or number of months (since the last time), whichever comes first.

5000 MILE (8000 KM) SERVICE

5000 MILE (8000 KM) SERVICE

Service Or Inspect
Check/Retorque Exhaust Pipe to Turbocharger
Check Fluid Levels

Inspect Coolant Hoses and Clamps	
Inspect Brake System	
Inspect Exhaust System	
Inspect C/V Joint boots	
Inspect Steering Linkage/Front Suspension	
Lubricate Chassis	
Road Test	
Reset Service Reminder Indicator	
Replace	
Engine Oil	
Oil Filter	
Lubrication Specifications	
Application	Specification
Engine Oil	
Ambient Temperature	
Less Than 68°F (20°C)	SAE 5W30 API SG/CD
-4°F To 100°F (-20° To 38°C)	SAE 10W30 API SG/CD
Greater Than 14°F (-10°C)	SAE 15W40 API SG/CD
Fluid Capacities	
Application	(1) Quantity
Engine Oil	
Non-Turbo (Includes Oil Filter) (2)	5.6 Qts. (5.3L)
Turbo (Includes Oil Filter) (2) (3)	6.3 Qts. (6.2L)
(1) - Capacities are recommended or calculated levels. Always use dipstick (if available) to measure level.	
(2) - DO NOT use SAE 15W/40 oil in extremely low ambient temperatures.	
(3) - Turbo includes 0.95 Qts. (0.9L) for Oil Cooler.	

10,000 MILE (16,000 KM) SERVICE

10,000 MILE (16,000 KM) SERVICE

Service Or Inspect
Verify Last Major Service Was Performed
Check Fluid Levels
Check Cooling System Hoses and Clamps
Check Coolant Strength
Inspect Brake System

Check Exhaust System & Heat Shielding	
Clean Battery and Battery Terminals	
Inspect Fuel/Tank/Cap/Lines	
Check Operation of Horn, Wipers/Washers & All Exterior Lights	
Inspect Condition of Wiper Blades	
Check Headlight Alignment	
Lubricate Weatherstripping with Silicone	
Lubricate Door Hinges	
Lubricate Door Locks	
Check Body Drain Holes	
Clean Power Antenna Mast	
Check Seat Belt Webbing and Release Mechanisms	
Check Parking Brake Operation	
Check Shift Interlock Operation	
Inspect Steering Linkage/Front Suspension	
Lubricate Chassis	
Inspect Brake Pads, Rotors and Calipers	
Inspect Brake System Hoses & Lines	
Inspect Shocks/Struts for Leakage	
Inspect Tire Wear Pattern	
Rotate Tires and Adjust Air Pressure (Including Spare)	
Road Test	
Reset Service Reminder Indicator	
Replace	
Engine Oil	
Oil Filter	
Lubrication Specifications	
Application	Specification
Antifreeze/Engine Coolant	Ethylene Glycol Antifreeze
Automatic Transmission	Dexron-IIIE or Mercon
Brake Fluid	DOT 4 Brake Fluid Or Equivalent
Power Steering Fluid	Dexron-IIIE or Mercon ATF
Engine Oil	
Ambient Temperature	

Less Than 68°F (20°C) SAE 5W30 API SG/CD
 -4°F To 100°F (-20° To 38°C) SAE 10W30 API SG/CD
 Greater Than 14°F (-10°C) SAE 15W40 API SG/CD
 Manual Transmission (1) Volvo Synthetic 97308 or
 Type F/G ATF

(1) - DO NOT use Dexron fluid in manual transmissions.

Fluid Capacities

Application	(1) Quantity
Automatic Transmission	8.0 Qts. (7.6L)
Cooling System	7.8 Qts. (7.2L)
Engine Oil	
Non-Turbo (Includes Oil Filter) (2)	5.6 Qts. (5.3L)
Turbo (Includes Oil Filter) (2) (3)	6.3 Qts. (6.2L)
Manual Transmission	2.5 Qts. (2.1L)

- (1) - Capacities are recommended or calculated levels. Always use dipstick (if available) to measure level.
- (2) - DO NOT use SAE 15W/40 oil in extremely low ambient temperatures.
- (3) - Turbo includes 0.95 Qts. (0.9L) for Oil Cooler.

15,000 MILE (24,000 KM) SERVICE (TURBO MODELS ONLY)

15,000 MILE (24,000 KM) SERVICE (TURBO MODELS ONLY)

Service Or Inspect	
	Verify Last Major Service Was Performed
	Check Fluid Levels
	Inspect Coolant Hoses and Clamps
	Inspect Brake System
	Inspect Exhaust System
	Inspect C/V Joint boots
	Inspect Steering Linkage/Front Suspension
	Lubricate Chassis
	Road Test
	Reset Service Reminder Indicator
Replace	
	Engine Oil
	Oil Filter
Lubrication Specifications	
Application	Specification

Engine Oil	
Ambient Temperature	
Less Than 68°F (20°C)	SAE 5W30 API SG/CD
-4°F To 100°F (-20° To 38°C)	SAE 10W30 API SG/CD
Greater Than 14°F (-10°C)	SAE 15W40 API SG/CD
Fluid Capacities	
Application	(1) Quantity
Engine Oil	
Turbo (Includes Oil Filter) (2) (3)	6.3 Qts. (6.2L)
(1) - Capacities are recommended or calculated levels. Always use dipstick (if available) to measure level.	
(2) - DO NOT use SAE 15W/40 oil in extremely low ambient temperatures.	
(3) - Turbo includes 0.95 Qts. (0.9L) for Oil Cooler.	

20,000 MILE (32,000 KM) SERVICE

20,000 MILE (32,000 KM) SERVICE

Service Or Inspect	
	Verify Last Major Service Was Performed
	Check Fluid Levels
	Check Cooling System Hoses and Clamps
	Check Coolant Strength
	Inspect Brake System
	Check Exhaust System & Heat Shielding
	Clean Battery and Battery Terminals
	Check/Adjust Kick-down Cable
	Inspect Fuel/Tank/Cap/Lines
	Check Operation of Horn, Wipers/Washers & All Exterior Lights
	Inspect Condition of Wiper Blades
	Check Headlight Alignment
	Lubricate Weatherstripping with Silicone
	Lubricate Door Hinges
	Lubricate Door Locks
	Check Body Drain Holes
	Clean Power Antenna Mast
	Check Seat Belt Webbing and Release Mechanisms

Check Parking Brake Operation
Check Shift Interlock Operation
Inspect Steering Linkage/Front Suspension
Lubricate Chassis
Inspect Brake Pads, Rotors and Calipers
Inspect Brake System Hoses & Lines
Inspect Shocks/Struts for Leakage
Inspect Tire Wear Pattern
Rotate Tires and Adjust Air Pressure (Including Spare)
Road Test
Reset Service Reminder Indicator

Replace
Engine Oil
Oil Filter
Automatic Transaxle Fluid (1993-94 Models)

Lubrication Specifications

Application	Specification
Antifreeze/Engine Coolant	Ethylene Glycol Antifreeze
Automatic Transmission	Dexron-IIIE or Mercon
Brake Fluid	DOT 4 Brake Fluid Or Equivalent
Power Steering Fluid	Dexron-IIIE or Mercon ATF
Engine Oil	
Ambient Temperature	
Less Than 68°F (20°C)	SAE 5W30 API SG/CD
-4°F To 100°F (-20° To 38°C)	SAE 10W30 API SG/CD
Greater Than 14°F (-10°C)	SAE 15W40 API SG/CD
Manual Transmission (1)	Volvo Synthetic 97308 or Type F/G ATF

(1) - DO NOT use Dexron fluid in manual transmissions.

Fluid Capacities

Application	(1) Quantity
Automatic Transmission	8.0 Qts. (7.6L)
Cooling System	7.8 Qts. (7.2L)
Engine Oil	
Non-Turbo (Includes Oil Filter) (2)	5.6 Qts. (5.3L)
Turbo (Includes Oil Filter) (2) (3)	6.3 Qts. (6.2L)
Manual Transmission	2.5 Qts. (2.1L)

(1) - Capacities are recommended or calculated levels. Always use dipstick (if available) to measure level.
(2) - DO NOT use SAE 15W/40 oil in extremely low ambient temperatures.

(3) - Turbo includes 0.95 Qts. (0.9L) for Oil Cooler.

25,000 MILE (40,000 KM) SERVICE (TURBO MODELS ONLY)

25,000 MILE (40,000 KM) SERVICE (TURBO MODELS ONLY)

Service Or Inspect	
	Verify Last Major Service Was Performed
	Check Fluid Levels
	Inspect Coolant Hoses and Clamps
	Inspect Brake System
	Inspect Exhaust System
	Inspect C/V Joint boots
	Inspect Steering Linkage/Front Suspension
	Lubricate Chassis
	Road Test
	Reset Service Reminder Indicator
Replace	
	Engine Oil
	Oil Filter
Lubrication Specifications	
Application	Specification
Engine Oil	
Ambient Temperature	
Less Than 68°F (20°C)	SAE 5W30 API SG/CD
-4°F To 100°F (-20° To 38°C)	SAE 10W30 API SG/CD
Greater Than 14°F (-10°C)	SAE 15W40 API SG/CD
Fluid Capacities	
Application	(1) Quantity
Engine Oil	
Turbo (Includes Oil Filter) (2) (3)	6.3 Qts. (6.2L)
(1) - Capacities are recommended or calculated levels. Always use dipstick (if available) to measure level.	
(2) - DO NOT use SAE 15W/40 oil in extremely low ambient temperatures.	
(3) - Turbo includes 0.95 Qts. (0.9L) for Oil Cooler.	

30,000 MILE (48,000 KM) SERVICE

30,000 MILE (48,000 KM) SERVICE

	Service Or Inspect
	Verify Last Major Service Was Performed
	Check Fluid Levels
	Check Cooling System Hoses and Clamps
	Inspect Brake System
	Check Exhaust System & Heat Shielding
	Clean Battery and Battery Terminals
	Inspect/Adjust Accessory Drive Belts (Replace if Required)
	Crankcase Ventilation System
	Ventilation Hoses
	Manual Transmission Fluid
	Inspect Fuel/Tank/Cap/Lines
	Check Operation of Horn, Wipers/Washers & All Exterior Lights
	Inspect Condition of Wiper Blades
	Check Headlight Alignment
	Lubricate Weatherstripping with Silicone
	Lubricate Door Hinges
	Lubricate Door Locks
	Check Body Drain Holes
	Clean Power Antenna Mast
	Check Seat Belt Webbing and Release Mechanisms
	Check Parking Brake Operation
	Check Shift Interlock Operation
	Clutch Release Arm Travel
	Inspect Steering Linkage/Front Suspension
	Lubricate Chassis
	Inspect Brake Pads, Rotors and Calipers
	Inspect Brake System Hoses & Lines
	ABS System Operation
	Inspect Shocks/Struts for Leakage
	Suspension Bushings, Springs, Arms & Rear Jounce Bumpers

Inspect Tire Wear Pattern	
Rotate Tires and Adjust Air Pressure (Including Spare)	
Road Test	
Reset Service Reminder Indicator	
Replace	
Engine Oil	
Oil Filter	
Spark Plugs	
Air Filter Element	
Control Module Filter	
Drain, Flush and Refill Engine Coolant	
Drain, Refill and Bleed Brake System	
Lubrication Specifications	
Application	Specification
Antifreeze/Engine Coolant	Ethylene Glycol Antifreeze
Automatic Transmission	Dexron-IIIE or Mercon
Brake Fluid	DOT 4 Brake Fluid Or Equivalent
Power Steering Fluid	Dexron-IIIE or Mercon ATF
Engine Oil	
Ambient Temperature	
Less Than 68°F (20°C)	SAE 5W30 API SG/CD
-4°F To 100°F (-20° To 38°C)	SAE 10W30 API SG/CD
Greater Than 14°F (-10°C)	SAE 15W40 API SG/CD
Manual Transmission (1)	Volvo Synthetic 97308 or Type F/G ATF
(1) - DO NOT use Dexron fluid in manual transmissions.	
Fluid Capacities	
Application	(1) Quantity
Automatic Transmission	8.0 Qts. (7.6L)
Cooling System	7.8 Qts. (7.2L)
Engine Oil	
Non-Turbo (Includes Oil Filter) (2)	5.6 Qts. (5.3L)
Turbo (Includes Oil Filter) (2) (3)	6.3 Qts. (6.2L)
Manual Transmission	2.5 Qts. (2.1L)
(1) - Capacities are recommended or calculated levels. Always use dipstick (if available) to measure level.	
(2) - DO NOT use SAE 15W/40 oil in extremely low ambient temperatures.	
(3) - Turbo includes 0.95 Qts. (0.9L) for Oil Cooler.	
Service Labor Times	
Application	(1) Hours

850 2.5L 5-Cylinder	3.8
---------------------------	-----

(1) - To replace camshaft timing belt, add 2.0 hrs.

35,000 MILE (56,000 KM) SERVICE (TURBO MODELS ONLY)

35,000 MILE (56,000 KM) SERVICE (TURBO MODELS ONLY)

Service Or Inspect	
	Verify Last Major Service Was Performed
	Check Fluid Levels
	Inspect Coolant Hoses and Clamps
	Inspect Brake System
	Inspect Exhaust System
	Inspect C/V Joint boots
	Inspect Steering Linkage/Front Suspension
	Lubricate Chassis
	Road Test
	Reset Service Reminder Indicator
Replace	
	Engine Oil
	Oil Filter
Lubrication Specifications	
Application	Specification
Engine Oil	
Ambient Temperature	
Less Than 68°F (20°C)	SAE 5W30 API SG/CD
-4°F To 100°F (-20° To 38°C)	SAE 10W30 API SG/CD
Greater Than 14°F (-10°C)	SAE 15W40 API SG/CD
Fluid Capacities	
Application	(1) Quantity
Engine Oil	
Turbo (Includes Oil Filter) (2) (3)	6.3 Qts. (6.2L)
(1) - Capacities are recommended or calculated levels. Always use dipstick (if available) to measure level.	
(2) - DO NOT use SAE 15W/40 oil in extremely low ambient temperatures.	
(3) - Turbo includes 0.95 Qts. (0.9L) for Oil Cooler.	

40,000 MILE (64,000 KM) SERVICE

40,000 MILE (64,000 KM) SERVICE

Service Or Inspect	
	Verify Last Major Service Was Performed
	Check Fluid Levels
	Check Cooling System Hoses and Clamps
	Check Coolant Strength
	Inspect Brake System
	Check Exhaust System & Heat Shielding
	Clean Battery and Battery Terminals
	Check/Adjust Kick-down Cable
	Inspect Fuel/Tank/Cap/Lines
	Check Operation of Horn, Wipers/Washers & All Exterior Lights
	Inspect Condition of Wiper Blades
	Check Headlight Alignment
	Lubricate Weatherstripping with Silicone
	Lubricate Door Hinges
	Lubricate Door Locks
	Check Body Drain Holes
	Clean Power Antenna Mast
	Check Seat Belt Webbing and Release Mechanisms
	Check Parking Brake Operation
	Check Shift Interlock Operation
	Inspect Steering Linkage/Front Suspension
	Lubricate Chassis
	Inspect Brake Pads, Rotors and Calipers
	Inspect Brake System Hoses & Lines
	Inspect Shocks/Struts for Leakage
	Inspect Tire Wear Pattern
	Rotate Tires and Adjust Air Pressure (Including Spare)
	Road Test
	Reset Service Reminder Indicator

Replace
Engine Oil
Oil Filter
Automatic Transmission Fluid (All Models)

Lubrication Specifications

Application	Specification
Antifreeze/Engine Coolant	Ethylene Glycol Antifreeze
Automatic Transmission	Dexron-IIIE or Mercon
Brake Fluid	DOT 4 Brake Fluid Or Equivalent
Power Steering Fluid	Dexron-IIIE or Mercon ATF
Engine Oil	
Ambient Temperature	
Less Than 68°F (20°C)	SAE 5W30 API SG/CD
-4°F To 100°F (-20° To 38°C)	SAE 10W30 API SG/CD
Greater Than 14°F (-10°C)	SAE 15W40 API SG/CD
Manual Transmission (1)	Volvo Synthetic 97308 or Type F/G ATF

(1) - DO NOT use Dexron fluid in manual transmissions.

Fluid Capacities

Application	(1) Quantity
Automatic Transmission	8.0 Qts. (7.6L)
Cooling System	7.8 Qts. (7.2L)
Engine Oil	
Non-Turbo (Includes Oil Filter) (2)	5.6 Qts. (5.3L)
Turbo (Includes Oil Filter) (2) (3)	6.3 Qts. (6.2L)
Manual Transmission	2.5 Qts. (2.1L)

(1) - Capacities are recommended or calculated levels. Always use dipstick (if available) to measure level.
(2) - DO NOT use SAE 15W/40 oil in extremely low ambient temperatures.
(3) - Turbo includes 0.95 Qts. (0.9L) for Oil Cooler.

45,000 MILE (72,000 KM) SERVICE (TURBO MODELS ONLY)

45,000 MILE (72,000 KM) SERVICE (TURBO MODELS ONLY)

Service Or Inspect
Verify Last Major Service Was Performed
Check Fluid Levels
Inspect Coolant Hoses and Clamps
Inspect Brake System
Inspect Exhaust System
Inspect C/V Joint boots

Inspect Steering Linkage/Front Suspension	
Lubricate Chassis	
Road Test	
Reset Service Reminder Indicator	
Replace	
Engine Oil	
Oil Filter	
Lubrication Specifications	
Application	Specification
Engine Oil	
Ambient Temperature	
Less Than 68°F (20°C)	SAE 5W30 API SG/CD
-4°F To 100°F (-20° To 38°C)	SAE 10W30 API SG/CD
Greater Than 14°F (-10°C)	SAE 15W40 API SG/CD
Fluid Capacities	
Application	(1) Quantity
Engine Oil	
Non-Turbo (Includes Oil Filter) (2)	5.6 Qts. (5.3L)
Turbo (Includes Oil Filter) (2) (3)	6.3 Qts. (6.2L)
(1) - Capacities are recommended or calculated levels. Always use dipstick (if available) to measure level.	
(2) - DO NOT use SAE 15W/40 oil in extremely low ambient temperatures.	
(3) - Turbo includes 0.95 Qts. (0.9L) for Oil Cooler.	

50,000 MILE (80,000 KM) SERVICE

50,000 MILE (80,000 KM) SERVICE

Service Or Inspect
Verify Last Major Service Was Performed
Check Fluid Levels
Check Cooling System Hoses and Clamps
Check Coolant Strength
Inspect Brake System
Check Exhaust System & Heat Shielding
Clean Battery and Battery Terminals
Inspect Fuel/Tank/Cap/Lines
Check Operation of Horn, Wipers/Washers & All Exterior Lights

Inspect Condition of Wiper Blades	
Check Headlight Alignment	
Lubricate Weatherstripping with Silicone	
Lubricate Door Hinges	
Lubricate Door Locks	
Check Body Drain Holes	
Clean Power Antenna Mast	
Check Seat Belt Webbing and Release Mechanisms	
Check Parking Brake Operation	
Check Shift Interlock Operation	
Inspect Steering Linkage/Front Suspension	
Lubricate Chassis	
Inspect Brake Pads, Rotors and Calipers	
Inspect Brake System Hoses & Lines	
Inspect Shocks/Struts for Leakage	
Inspect Tire Wear Pattern	
Rotate Tires and Adjust Air Pressure (Including Spare)	
Road Test	
Reset Service Reminder Indicator	
Replace	
Engine Oil	
Oil Filter	
Drain, Flush and Refill Engine Coolant	
Accessory Drive Belts (1992-93 Models Only)	
Camshaft Timing Belt (1994 Models Only)	
Lubrication Specifications	
Application	Specification
Antifreeze/Engine Coolant	Ethylene Glycol Antifreeze
Automatic Transmission	Dexron-IIIE or Mercon
Brake Fluid	DOT 4 Brake Fluid Or Equivalent
Power Steering Fluid	Dexron-IIIE or Mercon ATF
Engine Oil	
Ambient Temperature	
Less Than 68°F (20°C)	SAE 5W30 API SG/CD
-4°F To 100°F (-20° To 38°C)	SAE 10W30 API SG/CD

Greater Than 14°F (-10°C) SAE 15W40 API SG/CD
 Manual Transmission (1) Volvo Synthetic 97308 or
 Type F/G ATF

(1) - DO NOT use Dexron fluid in manual transmissions.

Fluid Capacities

Application	(1) Quantity
Automatic Transmission	8.0 Qts. (7.6L)
Cooling System	7.8 Qts. (7.2L)
Engine Oil	
Non-Turbo (Includes Oil Filter) (2)	5.6 Qts. (5.3L)
Turbo (Includes Oil Filter) (2) (3)	6.3 Qts. (6.2L)
Manual Transmission	2.5 Qts. (2.1L)

- (1) - Capacities are recommended or calculated levels. Always use dipstick (if available) to measure level.
 (2) - DO NOT use SAE 15W/40 oil in extremely low ambient temperatures.
 (3) - Turbo includes 0.95 Qts. (0.9L) for Oil Cooler.

55,000 MILE (80,000 KM) SERVICE (TURBO MODELS ONLY)

55,000 MILE (80,000 KM) SERVICE (TURBO MODELS ONLY)

Service Or Inspect	
	Verify Last Major Service Was Performed
	Check Fluid Levels
	Inspect Coolant Hoses and Clamps
	Inspect Brake System
	Inspect Exhaust System
	Inspect C/V Joint boots
	Inspect Steering Linkage/Front Suspension
	Lubricate Chassis
	Road Test
	Reset Service Reminder Indicator
Replace	
	Engine Oil
	Oil Filter
Lubrication Specifications	
Application	Specification
Engine Oil	
Ambient Temperature	

Less Than 68°F (20°C)	SAE 5W30 API SG/CD
-4°F To 100°F (-20° To 38°C)	SAE 10W30 API SG/CD
Greater Than 14°F (-10°C)	SAE 15W40 API SG/CD

Fluid Capacities

Application	(1) Quantity
-------------	--------------

Engine Oil	
Turbo (Includes Oil Filter) (2) (3)	6.3 Qts. (6.2L)

- (1) - Capacities are recommended or calculated levels. Always use dipstick (if available) to measure level.
- (2) - DO NOT use SAE 15W/40 oil in extremely low ambient temperatures.
- (3) - Turbo includes 0.95 Qts. (0.9L) for Oil Cooler.

60,000 MILE (96,000 KM) SERVICE

60,000 MILE (96,000 KM) SERVICE

Service Or Inspect
Verify Last Major Service Was Performed
Check Fluid Levels
Check Cooling System Hoses and Clamps
Inspect Brake System
Check Exhaust System & Heat Shielding
Clean Battery and Battery Terminals
Check/Adjust Kick-down Cable
Inspect/Adjust Drive Belts (1993 Replace if Required)
Clean EGR System (1993-94 Models Only)
Inspect PCV Valve, Flame Guard and Hoses
PCV Nipple/Orifices
Crankcase Ventilation System
Ventilation Hoses
Manual Transmission Fluid
Inspect Fuel/Tank/Cap/Lines
Check Operation of Horn, Wipers/Washers & All Exterior Lights
Inspect Condition of Wiper Blades
Check Headlight Alignment
Lubricate Weatherstripping with Silicone

Lubricate Door Hinges
Lubricate Door Locks
Check Body Drain Holes
Clean Power Antenna Mast
Check Seat Belt Webbing and Release Mechanisms
Check Parking Brake Operation
Check Shift Interlock Operation
Clutch Release Arm Travel
Inspect Steering Linkage/Front Suspension
Steering System & Wheel Alignment
Lubricate Chassis
Inspect Brake Pads, Rotors and Calipers
Inspect Brake System Hoses & Lines
ABS System Operation
Inspect Shocks/Struts for Leakage
Suspension Bushings, Springs, Arms & Rear Jounce Bumpers
Inspect Tire Wear Pattern
Front Wheel Alignment
Rotate Tires and Adjust Air Pressure (Including Spare)
Road Test
Reset Service Reminder Indicator
Replace
Engine Oil
Oil Filter
Spark Plugs
Air Filter Element
Control Module Filter
Fuel Filter (1992-94 Models)
Fuel Filter
Accessory Drive Belts (1994-95 Models Only)
Automatic Transmission Fluid (1992-94 Models)
Automatic Transmission Fluid

Drain, Flush and Refill Engine Coolant	
Drain, Refill and Bleed Brake System	
Lubrication Specifications	
Application	Specification
Antifreeze/Engine Coolant	Ethylene Glycol Antifreeze
Automatic Transmission	Dexron-IIIE or Mercon
Brake Fluid	DOT 4 Brake Fluid Or Equivalent
Power Steering Fluid	Dexron-IIIE or Mercon ATF
Engine Oil	
Ambient Temperature	
Less Than 68°F (20°C)	SAE 5W30 API SG/CD
-4°F To 100°F (-20° To 38°C)	SAE 10W30 API SG/CD
Greater Than 14°F (-10°C)	SAE 15W40 API SG/CD
Manual Transmission (1)	Volvo Synthetic 97308 or Type F/G ATF
(1) - DO NOT use Dexron fluid in manual transmissions.	
Fluid Capacities	
Application	(1) Quantity
Automatic Transmission	8.0 Qts. (7.6L)
Cooling System	7.8 Qts. (7.2L)
Engine Oil	
Non-Turbo (Includes Oil Filter) (2)	5.6 Qts. (5.3L)
Turbo (Includes Oil Filter) (2) (3)	6.3 Qts. (6.2L)
Manual Transmission	2.5 Qts. (2.1L)
(1) - Capacities are recommended or calculated levels. Always use dipstick (if available) to measure level.	
(2) - DO NOT use SAE 15W/40 oil in extremely low ambient temperatures.	
(3) - Turbo includes 0.95 Qts. (0.9L) for Oil Cooler.	
Service Labor Times	
Application	(1) Hours
850 2.5L 5-Cylinder	4.6
(1) - To replace camshaft timing belt, add 2.0 hrs.	

65,000 MILE (104,000 KM) SERVICE (TURBO MODELS ONLY)

65,000 MILE (104,000 KM) SERVICE (TURBO MODELS ONLY)

Service Or Inspect	
Verify Last Major Service Was Performed	
Check Fluid Levels	
Inspect Coolant Hoses and Clamps	
Inspect Brake System	

Inspect Exhaust System	
Inspect C/V Joint boots	
Inspect Steering Linkage/Front Suspension	
Lubricate Chassis	
Road Test	
Reset Service Reminder Indicator	
Replace	
Engine Oil	
Oil Filter	
Lubrication Specifications	
Application	Specification
Engine Oil	
Ambient Temperature	
Less Than 68°F (20°C)	SAE 5W30 API SG/CD
-4°F To 100°F (-20° To 38°C)	SAE 10W30 API SG/CD
Greater Than 14°F (-10°C)	SAE 15W40 API SG/CD
Fluid Capacities	
Application	(1) Quantity
Engine Oil	
Turbo (Includes Oil Filter) (2) (3)	6.3 Qts. (6.2L)
(1) - Capacities are recommended or calculated levels. Always use dipstick (if available) to measure level.	
(2) - DO NOT use SAE 15W/40 oil in extremely low ambient temperatures.	
(3) - Turbo includes 0.95 Qts. (0.9L) for Oil Cooler.	

70,000 MILE (112,000 KM) SERVICE

70,000 MILE (112,000 KM) SERVICE

Service Or Inspect
Verify Last Major Service Was Performed
Check Fluid Levels
Check Cooling System Hoses and Clamps
Check Coolant Strength
Inspect Brake System
Check Exhaust System & Heat Shielding
Clean Battery and Battery Terminals

Inspect Fuel/Tank/Cap/Lines	
Check Operation of Horn, Wipers/Washers & All Exterior Lights	
Inspect Condition of Wiper Blades	
Check Headlight Alignment	
Lubricate Weatherstripping with Silicone	
Lubricate Door Hinges	
Lubricate Door Locks	
Check Body Drain Holes	
Clean Power Antenna Mast	
Check Seat Belt Webbing and Release Mechanisms	
Check Parking Brake Operation	
Check Shift Interlock Operation	
Inspect Steering Linkage/Front Suspension	
Lubricate Chassis	
Inspect Brake Pads, Rotors and Calipers	
Inspect Brake System Hoses & Lines	
Inspect Shocks/Struts for Leakage	
Inspect Tire Wear Pattern	
Rotate Tires and Adjust Air Pressure (Including Spare)	
Road Test	
Reset Service Reminder Indicator	
Replace	
Engine Oil	
Oil Filter	
Camshaft Timing Belt (1994-95 Models)	
Lubrication Specifications	
Application	Specification
Antifreeze/Engine Coolant	Ethylene Glycol Antifreeze
Automatic Transmission	Dexron-IIIE or Mercon
Brake Fluid	DOT 4 Brake Fluid Or Equivalent
Power Steering Fluid	Dexron-IIIE or Mercon ATF
Engine Oil	
Ambient Temperature	
Less Than 68°F (20°C)	SAE 5W30 API SG/CD
-4°F To 100°F (-20° To 38°C)	SAE 10W30 API SG/CD

Greater Than 14°F (-10°C) SAE 15W40 API SG/CD
 Manual Transmission (1) Volvo Synthetic 97308 or
 Type F/G ATF

(1) - DO NOT use Dexron fluid in manual transmissions.

Fluid Capacities

Application	(1) Quantity
Automatic Transmission	8.0 Qts. (7.6L)
Cooling System	7.8 Qts. (7.2L)
Engine Oil	
Non-Turbo (Includes Oil Filter) (2)	5.6 Qts. (5.3L)
Turbo (Includes Oil Filter) (2) (3)	6.3 Qts. (6.2L)
Manual Transmission	2.5 Qts. (2.1L)

- (1) - Capacities are recommended or calculated levels. Always use dipstick (if available) to measure level.
 (2) - DO NOT use SAE 15W/40 oil in extremely low ambient temperatures.
 (3) - Turbo includes 0.95 Qts. (0.9L) for Oil Cooler.

75,000 MILE (120,000 KM) SERVICE (TURBO MODELS ONLY)

75,000 MILE (120,000 KM) SERVICE (TURBO MODELS ONLY)

Service Or Inspect	
	Verify Last Major Service Was Performed
	Check Fluid Levels
	Inspect Coolant Hoses and Clamps
	Inspect Brake System
	Inspect Exhaust System
	Inspect C/V Joint boots
	Inspect Steering Linkage/Front Suspension
	Lubricate Chassis
	Road Test
	Reset Service Reminder Indicator
Replace	
	Engine Oil
	Oil Filter
Lubrication Specifications	
Application	Specification
Engine Oil	
Ambient Temperature	

Less Than 68°F (20°C)	SAE 5W30 API SG/CD
-4°F To 100°F (-20° To 38°C)	SAE 10W30 API SG/CD
Greater Than 14°F (-10°C)	SAE 15W40 API SG/CD

Fluid Capacities

Application	(1) Quantity
-------------	--------------

Engine Oil

Turbo (Includes Oil Filter) (2) (3)	6.3 Qts. (6.2L)
---	-----------------

- (1) - Capacities are recommended or calculated levels. Always use dipstick (if available) to measure level.
- (2) - DO NOT use SAE 15W/40 oil in extremely low ambient temperatures.
- (3) - Turbo includes 0.95 Qts. (0.9L) for Oil Cooler.

80,000 MILE (128,000 KM) SERVICE

80,000 MILE (128,000 KM) SERVICE

Service Or Inspect
Verify Last Major Service Was Performed
Check Fluid Levels
Check Cooling System Hoses and Clamps
Check Coolant Strength
Inspect Brake System
Check Exhaust System & Heat Shielding
Clean EGR System (1992-94 Models Only)
Clean Battery and Battery Terminals
Check/Adjust Kick-down Cable
Inspect Fuel/Tank/Cap/Lines
Check Operation of Horn, Wipers/Washers & All Exterior Lights
Inspect Condition of Wiper Blades
Check Headlight Alignment
Lubricate Weatherstripping with Silicone
Lubricate Door Hinges
Lubricate Door Locks
Check Body Drain Holes
Clean Power Antenna Mast
Check Seat Belt Webbing and Release Mechanisms

Check Parking Brake Operation
Check Shift Interlock Operation
Inspect Steering Linkage/Front Suspension
Lubricate Chassis
Inspect Brake Pads, Rotors and Calipers
Inspect Brake System Hoses & Lines
Inspect Shocks/Struts for Leakage
Inspect Tire Wear Pattern
Rotate Tires and Adjust Air Pressure (Including Spare)
Road Test
Reset Service Reminder Indicator

Replace
Engine Oil
Oil Filter
Automatic Transmission Fluid (All Models)

Lubrication Specifications

Application	Specification
Antifreeze/Engine Coolant	Ethylene Glycol Antifreeze
Automatic Transmission	Dexron-IIIE or Mercon
Brake Fluid	DOT 4 Brake Fluid Or Equivalent
Power Steering Fluid	Dexron-IIIE or Mercon ATF
Engine Oil	
Ambient Temperature	
Less Than 68°F (20°C)	SAE 5W30 API SG/CD
-4°F To 100°F (-20° To 38°C)	SAE 10W30 API SG/CD
Greater Than 14°F (-10°C)	SAE 15W40 API SG/CD
Manual Transmission (1)	Volvo Synthetic 97308 or Type F/G ATF

(1) - DO NOT use Dexron fluid in manual transmissions.

Fluid Capacities

Application	(1) Quantity
Automatic Transmission	8.0 Qts. (7.6L)
Cooling System	7.8 Qts. (7.2L)
Engine Oil	
Non-Turbo (Includes Oil Filter) (2)	5.6 Qts. (5.3L)
Turbo (Includes Oil Filter) (2) (3)	6.3 Qts. (6.2L)
Manual Transmission	2.5 Qts. (2.1L)

(1) - Capacities are recommended or calculated levels. Always use dipstick (if available) to measure level.
(2) - DO NOT use SAE 15W/40 oil in extremely low ambient temperatures.

(3) - Turbo includes 0.95 Qts. (0.9L) for Oil Cooler.

85,000 MILE (136,000 KM) SERVICE (TURBO MODELS ONLY)

85,000 MILE (136,000 KM) SERVICE (TURBO MODELS ONLY)

Service Or Inspect	
	Verify Last Major Service Was Performed
	Check Fluid Levels
	Inspect Coolant Hoses and Clamps
	Inspect Brake System
	Inspect Exhaust System
	Inspect C/V Joint boots
	Inspect Steering Linkage/Front Suspension
	Lubricate Chassis
	Road Test
	Reset Service Reminder Indicator
Replace	
	Engine Oil
	Oil Filter
Lubrication Specifications	
Application	Specification
Engine Oil	
Ambient Temperature	
Less Than 68°F (20°C)	SAE 5W30 API SG/CD
-4°F To 100°F (-20° To 38°C)	SAE 10W30 API SG/CD
Greater Than 14°F (-10°C)	SAE 15W40 API SG/CD
Fluid Capacities	
Application	(1) Quantity
Engine Oil	
Turbo (Includes Oil Filter) (2) (3)	6.3 Qts. (6.2L)
(1) - Capacities are recommended or calculated levels. Always use dipstick (if available) to measure level.	
(2) - DO NOT use SAE 15W/40 oil in extremely low ambient temperatures.	
(3) - Turbo includes 0.95 Qts. (0.9L) for Oil Cooler.	

90,000 MILE (144,000 KM) SERVICE

90,000 MILE (144,000 KM) SERVICE

	Service Or Inspect
	Verify Last Major Service Was Performed
	Check Fluid Levels
	Check Cooling System Hoses and Clamps
	Inspect Brake System
	Check Exhaust System & Heat Shielding
	Clean Battery and Battery Terminals
	Inspect/Adjust Accessory Drive Belts (Replace if Required)
	Crankcase Ventilation System
	Ventilation Hoses
	Manual Transmission Fluid
	Inspect Fuel/Tank/Cap/Lines
	Check Operation of Horn, Wipers/Washers & All Exterior Lights
	Inspect Condition of Wiper Blades
	Check Headlight Alignment
	Lubricate Weatherstripping with Silicone
	Lubricate Door Hinges
	Lubricate Door Locks
	Check Body Drain Holes
	Clean Power Antenna Mast
	Check Seat Belt Webbing and Release Mechanisms
	Check Parking Brake Operation
	Check Shift Interlock Operation
	Inspect Steering Linkage/Front Suspension
	Steering System & Wheel Alignment
	Clutch Release Arm Travel
	Lubricate Chassis
	Inspect Brake Pads, Rotors and Calipers
	Inspect Brake System Hoses & Lines
	ABS System Operation
	Inspect Shocks/Struts for Leakage

Suspension Bushings, Springs, Arms & Rear Jounce Bumpers
Inspect Tire Wear Pattern
Rotate Tires and Adjust Air Pressure (Including Spare)
Road Test
Reset Service Reminder Indicator
Replace
Engine Oil
Oil Filter
Spark Plugs
Air Filter Element
Control Module Filter
Drive Belts
Drain, Flush and Refill Engine Coolant
Drain, Refill and Bleed Brake System

Lubrication Specifications

Application	Specification
Antifreeze/Engine Coolant	Ethylene Glycol Antifreeze
Automatic Transmission	Dexron-IIIE or Mercon
Brake Fluid	DOT 4 Brake Fluid Or Equivalent
Power Steering Fluid	Dexron-IIIE or Mercon ATF
Engine Oil	
Ambient Temperature	
Less Than 68°F (20°C)	SAE 5W30 API SG/CD
-4°F To 100°F (-20° To 38°C)	SAE 10W30 API SG/CD
Greater Than 14°F (-10°C)	SAE 15W40 API SG/CD
Manual Transmission (1)	Volvo Synthetic 97308 or Type F/G ATF

(1) - DO NOT use Dexron fluid in manual transmissions.

Fluid Capacities

Application	(1) Quantity
Automatic Transmission	8.0 Qts. (7.6L)
Cooling System	7.8 Qts. (7.2L)
Engine Oil	
Non-Turbo (Includes Oil Filter) (2)	5.6 Qts. (5.3L)
Turbo (Includes Oil Filter) (2) (3)	6.3 Qts. (6.2L)
Manual Transmission	2.5 Qts. (2.1L)

- (1) - Capacities are recommended or calculated levels. Always use dipstick (if available) to measure level.
- (2) - DO NOT use SAE 15W/40 oil in extremely low ambient temperatures.
- (3) - Turbo includes 0.95 Qts. (0.9L) for Oil Cooler.

Service Labor Times

Application	(1) Hours
850 2.5L 5-Cylinder	3.8
(1) - To replace camshaft timing belt, add 2.0 hrs.	

95,000 MILE (152,000 KM) SERVICE (TURBO MODELS ONLY)

95,000 MILE (152,000 KM) SERVICE (TURBO MODELS ONLY)

Service Or Inspect

Verify Last Major Service Was Performed

Check Fluid Levels

Inspect Coolant Hoses and Clamps

Inspect Brake System

Inspect Exhaust System

Inspect C/V Joint boots

Inspect Steering Linkage/Front Suspension

Lubricate Chassis

Road Test

Reset Service Reminder Indicator

Replace

Engine Oil

Oil Filter

Lubrication Specifications

Application	Specification
Engine Oil	
Ambient Temperature	
Less Than 68°F (20°C)	SAE 5W30 API SG/CD
-4°F To 100°F (-20° To 38°C)	SAE 10W30 API SG/CD
Greater Than 14°F (-10°C)	SAE 15W40 API SG/CD

Fluid Capacities

Application	(1) Quantity
Engine Oil	
Turbo (Includes Oil Filter) (2) (3)	6.3 Qts. (6.2L)

- (1) - Capacities are recommended or calculated levels. Always use dipstick (if available) to measure level.
- (2) - DO NOT use SAE 15W/40 oil in extremely low ambient temperatures.

(3) - Turbo includes 0.95 Qts. (0.9L) for Oil Cooler.

100,000 MILE (160,000 KM) SERVICE

100,000 MILE (160,000 KM) SERVICE

Service Or Inspect
Verify Last Major Service Was Performed
Check Fluid Levels
Check Cooling System Hoses and Clamps
Check Coolant Strength
Inspect Brake System
Check Exhaust System & Heat Shielding
Clean EGR System (All Models)
Inspect PCV Valve, Flame Guard and Hoses
Clean Battery and Battery Terminals
Check/Adjust Kick-down Cable
Inspect Fuel/Tank/Cap/Lines
Check Operation of Horn, Wipers/Washers & All Exterior Lights
Inspect Condition of Wiper Blades
Check Headlight Alignment
Lubricate Weatherstripping with Silicone
Lubricate Door Hinges
Lubricate Door Locks
Check Body Drain Holes
Clean Power Antenna Mast
Check Seat Belt Webbing and Release Mechanisms
Check Parking Brake Operation
Check Shift Interlock Operation
Inspect Steering Linkage/Front Suspension
Lubricate Chassis
Inspect Brake Pads, Rotors and Calipers
Inspect Brake System Hoses & Lines
Inspect Shocks/Struts for Leakage

Inspect Tire Wear Pattern
Rotate Tires and Adjust Air Pressure (Including Spare)
Road Test
Reset Service Reminder Indicator
Replace
Engine Oil
Oil Filter
Fuel Filter (1995 Models Only)
Accessory Drive Belts (1993 Models Only)
Camshaft Timing Belt (1993 Models Only)
Drain, Refill and Bleed Brake System Fluid
Automatic Transmission Fluid (1992-94 Models)

Lubrication Specifications

Application	Specification
Antifreeze/Engine Coolant	Ethylene Glycol Antifreeze
Automatic Transmission	Dexron-IIIE or Mercon
Brake Fluid	DOT 4 Brake Fluid Or Equivalent
Power Steering Fluid	Dexron-IIIE or Mercon ATF
Engine Oil	
Ambient Temperature	
Less Than 68°F (20°C)	SAE 5W30 API SG/CD
-4°F To 100°F (-20° To 38°C)	SAE 10W30 API SG/CD
Greater Than 14°F (-10°C)	SAE 15W40 API SG/CD
Manual Transmission (1)	Volvo Synthetic 97308 or Type F/G ATF

(1) - DO NOT use Dexron fluid in manual transmissions.

Fluid Capacities

Application	(1) Quantity
Automatic Transmission	8.0 Qts. (7.6L)
Cooling System	7.8 Qts. (7.2L)
Engine Oil	
Non-Turbo (Includes Oil Filter) (2)	5.6 Qts. (5.3L)
Turbo (Includes Oil Filter) (2) (3)	6.3 Qts. (6.2L)
Manual Transmission	2.5 Qts. (2.1L)

(1) - Capacities are recommended or calculated levels. Always use dipstick (if available) to measure level.

(2) - DO NOT use SAE 15W/40 oil in extremely low ambient temperatures.

(3) - Turbo includes 0.95 Qts. (0.9L) for Oil Cooler.

105,000 MILE (168,000 KM) SERVICE (TURBO MODELS ONLY)

105,000 MILE (168,000 KM) SERVICE (TURBO MODELS ONLY)

Service Or Inspect	
	Verify Last Major Service Was Performed
	Check Fluid Levels
	Inspect Coolant Hoses and Clamps
	Inspect Brake System
	Inspect Exhaust System
	Inspect C/V Joint boots
	Inspect Steering Linkage/Front Suspension
	Lubricate Chassis
	Road Test
	Reset Service Reminder Indicator
Replace	
	Engine Oil
	Oil Filter
Lubrication Specifications	
Application	Specification
Engine Oil	
Ambient Temperature	
Less Than 68°F (20°C)	SAE 5W30 API SG/CD
-4°F To 100°F (-20° To 38°C)	SAE 10W30 API SG/CD
Greater Than 14°F (-10°C)	SAE 15W40 API SG/CD
Fluid Capacities	
Application	(1) Quantity
Engine Oil	
Turbo (Includes Oil Filter) (2) (3)	6.3 Qts. (6.2L)
(1) - Capacities are recommended or calculated levels. Always use dipstick (if available) to measure level.	
(2) - DO NOT use SAE 15W/40 oil in extremely low ambient temperatures.	
(3) - Turbo includes 0.95 Qts. (0.9L) for Oil Cooler.	

110,000 MILE (176,000 KM) SERVICE

110,000 MILE (176,000 KM) SERVICE

Service Or Inspect	
	Verify Last Major Service Was Performed

Check Fluid Levels
Check Cooling System Hoses and Clamps
Check Coolant Strength
Inspect Brake System
Check Exhaust System & Heat Shielding
Clean Battery and Battery Terminals
Inspect Fuel/Tank/Cap/Lines
Check Operation of Horn, Wipers/Washers & All Exterior Lights
Inspect Condition of Wiper Blades
Check Headlight Alignment
Lubricate Weatherstripping with Silicone
Lubricate Door Hinges
Lubricate Door Locks
Check Body Drain Holes
Clean Power Antenna Mast
Check Seat Belt Webbing and Release Mechanisms
Check Parking Brake Operation
Check Shift Interlock Operation
Inspect Steering Linkage/Front Suspension
Lubricate Chassis
Inspect Brake Pads, Rotors and Calipers
Inspect Brake System Hoses & Lines
Inspect Shocks/Struts for Leakage
Inspect Tire Wear Pattern
Rotate Tires and Adjust Air Pressure (Including Spare)
Road Test
Reset Service Reminder Indicator
Replace
Engine Oil
Oil Filter
Lubrication Specifications

Application	Specification
Antifreeze/Engine Coolant	Ethylene Glycol Antifreeze
Automatic Transmission	Dexron-IIIE or Mercon
Brake Fluid	DOT 4 Brake Fluid Or Equivalent
Power Steering Fluid	Dexron-IIIE or Mercon ATF
Engine Oil	
Ambient Temperature	
Less Than 68°F (20°C)	SAE 5W30 API SG/CD
-4°F To 100°F (-20° To 38°C)	SAE 10W30 API SG/CD
Greater Than 14°F (-10°C)	SAE 15W40 API SG/CD
Manual Transmission (1)	Volvo Synthetic 97308 or Type F/G ATF

(1) - DO NOT use Dexron fluid in manual transmissions.

Fluid Capacities	
Application	(1) Quantity
Automatic Transmission	8.0 Qts. (7.6L)
Cooling System	7.8 Qts. (7.2L)
Engine Oil	
Non-Turbo (Includes Oil Filter) (2)	5.6 Qts. (5.3L)
Turbo (Includes Oil Filter) (2) (3)	6.3 Qts. (6.2L)
Manual Transmission	2.5 Qts. (2.1L)

(1) - Capacities are recommended or calculated levels. Always use dipstick (if available) to measure level.
(2) - DO NOT use SAE 15W/40 oil in extremely low ambient temperatures.
(3) - Turbo includes 0.95 Qts. (0.9L) for Oil Cooler.

115,000 MILE (184,000 KM) SERVICE (TURBO MODELS ONLY)

115,000 MILE (184,000 KM) SERVICE (TURBO MODELS ONLY)

Service Or Inspect
Verify Last Major Service Was Performed
Check Fluid Levels
Inspect Coolant Hoses and Clamps
Inspect Brake System
Inspect Exhaust System
Inspect C/V Joint boots
Inspect Steering Linkage/Front Suspension
Lubricate Chassis
Road Test
Reset Service Reminder Indicator
Replace

Engine Oil	
Oil Filter	
Lubrication Specifications	
Application	Specification
Engine Oil	
Ambient Temperature	
Less Than 68°F (20°C)	SAE 5W30 API SG/CD
-4°F To 100°F (-20° To 38°C)	SAE 10W30 API SG/CD
Greater Than 14°F (-10°C)	SAE 15W40 API SG/CD
Fluid Capacities	
Application	(1) Quantity
Engine Oil	
Turbo (Includes Oil Filter) (2) (3)	6.3 Qts. (6.2L)
(1) - Capacities are recommended or calculated levels. Always use dipstick (if available) to measure level.	
(2) - DO NOT use SAE 15W/40 oil in extremely low ambient temperatures.	
(3) - Turbo includes 0.95 Qts. (0.9L) for Oil Cooler.	

120,000 MILE (192,000 KM) SERVICE

120,000 MILE (192,000 KM) SERVICE

Service Or Inspect
Verify Last Major Service Was Performed
Check Fluid Levels
Check Cooling System Hoses and Clamps
Inspect Brake System
Check Exhaust System & Heat Shielding
Clean Battery and Battery Terminals
Check/Adjust Kick-down Cable
Inspect/Adjust Drive Belts (1992-93 Replace if Required)
Inspect and Clean EGR System (All Models)
Check EGR Valve
Inspect PCV Valve, Flame Guard and Hoses
PCV Nipple/Orifices
Ventilation Hoses
Crankcase Ventilation System

Inspect Fuel/Tank/Cap/Lines
Manual Transmission Fluid
Check Operation of Horn, Wipers/Washers & All Exterior Lights
Inspect Condition of Wiper Blades
Check Headlight Alignment
Lubricate Weatherstripping with Silicone
Lubricate Door Hinges
Lubricate Door Locks
Check Body Drain Holes
Clean Power Antenna Mast
Check Seat Belt Webbing and Release Mechanisms
Check Parking Brake Operation
Check Shift Interlock Operation
Inspect Steering Linkage/Front Suspension
Steering System & Wheel Alignment
Clutch Release Arm Travel
Lubricate Chassis
Inspect Brake Pads, Rotors and Calipers
Inspect Brake System Hoses & Lines
ABS System Operation
Inspect Shocks/Struts for Leakage
Suspension Bushings, Springs, Arms & Rear Jounce Bumpers
Inspect Tire Wear Pattern
Rotate Tires and Adjust Air Pressure (Including Spare)
Road Test
Reset Service Reminder Indicator
Replace
Engine Oil
Oil Filter
Spark Plugs
Air Filter Element
Control Module Filter

Fuel Filter	
Automatic Transmission Fluid	
Drain, Flush and Refill Engine Coolant	
Drain, Refill and Bleed Brake System	
Lubrication Specifications	
Application	Specification
Antifreeze/Engine Coolant	Ethylene Glycol Antifreeze
Automatic Transmission	Dexron-IIIE or Mercon
Brake Fluid	DOT 4 Brake Fluid Or Equivalent
Power Steering Fluid	Dexron-IIIE or Mercon ATF
Engine Oil	
Ambient Temperature	
Less Than 68°F (20°C)	SAE 5W30 API SG/CD
-4°F To 100°F (-20° To 38°C)	SAE 10W30 API SG/CD
Greater Than 14°F (-10°C)	SAE 15W40 API SG/CD
Manual Transmission (1)	Volvo Synthetic 97308 or Type F/G ATF
(1) - DO NOT use Dexron fluid in manual transmissions.	
Fluid Capacities	
Application	(1) Quantity
Automatic Transmission	8.0 Qts. (7.6L)
Cooling System	7.8 Qts. (7.2L)
Engine Oil	
Non-Turbo (Includes Oil Filter) (2)	5.6 Qts. (5.3L)
Turbo (Includes Oil Filter) (2) (3)	6.3 Qts. (6.2L)
Manual Transmission	2.5 Qts. (2.1L)
(1) - Capacities are recommended or calculated levels. Always use dipstick (if available) to measure level.	
(2) - DO NOT use SAE 15W/40 oil in extremely low ambient temperatures.	
(3) - Turbo includes 0.95 Qts. (0.9L) for Oil Cooler.	
Service Labor Times	
Application	(1) Hours
850 2.5L 5-Cylinder	4.6
(1) - To replace camshaft timing belt, add 2.0 hrs.	

LUBRICATION SPECIFICATIONS

CAUTION: DO NOT use SAE 15W/40 oil in extremely low ambient temperatures.

LUBRICATION SPECIFICATIONS TABLE

Application	Fluid Specifications
-------------	----------------------

Antifreeze/Engine Coolant Ethylene Glycol Antifreeze
 Brake Fluid DOT 4 Brake Fluid Or Equivalent
 Engine Oil
 Ambient Temperature
 Less Than 68°F (20°C) SAE 5W30 API SG/CD
 -4°F To 100°F (-20° To 38°C) SAE 10W30 API SG/CD
 Greater Than 14°F (-10°C) SAE 15W40 API SG/CD
 Power Steering Fluid Dexron-IIIE or Mercon ATF
 Transmission
 Automatic Transmission Dexron-IIIE or Mercon
 Manual Transmission (1) Volvo Synthetic 97308 or
 Type F/G ATF

(1) - DO NOT use Dexron fluid in manual transmissions.

FLUID CAPACITIES

FLUID CAPACITIES TABLE

Application (1)	Quantity
A/C R-134a Refrigerant	26 Ozs.
Cooling System	7.8 Qts. (7.2L)
Engine Oil (2)	
850	5.6 Qts. (5.3L)
Turbo (3)	6.5 Qts. (6.2L)
Fuel Tank	19.3 Gals. (73L)
Power Steering	0.7 Qts. (0.8L)
Transmission	
Automatic	8.0 Qts. (7.6L)
Manual	2.5 Qts. (2.1L)

(1) - Capacities are recommended or calculated levels. Always use dipstick (if available) to measure level.

(2) - Includes Filter Change

(3) - Turbo capacity includes .95 Qts. (0.9L) for Oil Cooler.