

POWER WINDOWS

1995 Volvo 850

1995-96 ACCESSORIES & EQUIPMENT
Volvo Power Windows

850

DESCRIPTION & OPERATION

All models are equipped with power windows. Power window switches are located on center console.

DIAGNOSIS & TESTING

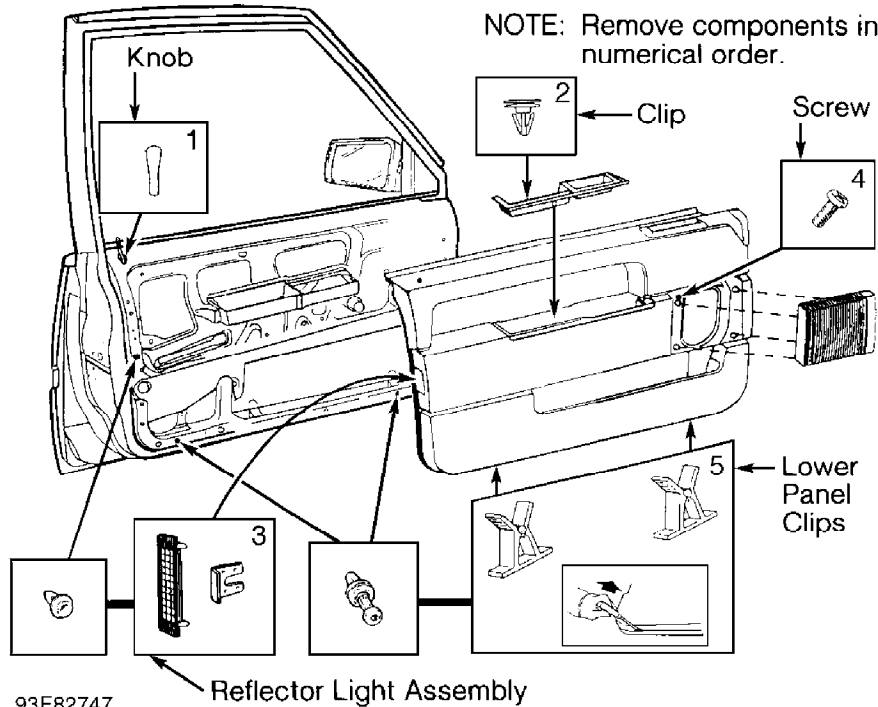
NOTE: Power window diagnosis and testing is not supplied by manufacturer.

REMOVAL & INSTALLATION

POWER WINDOW MOTOR

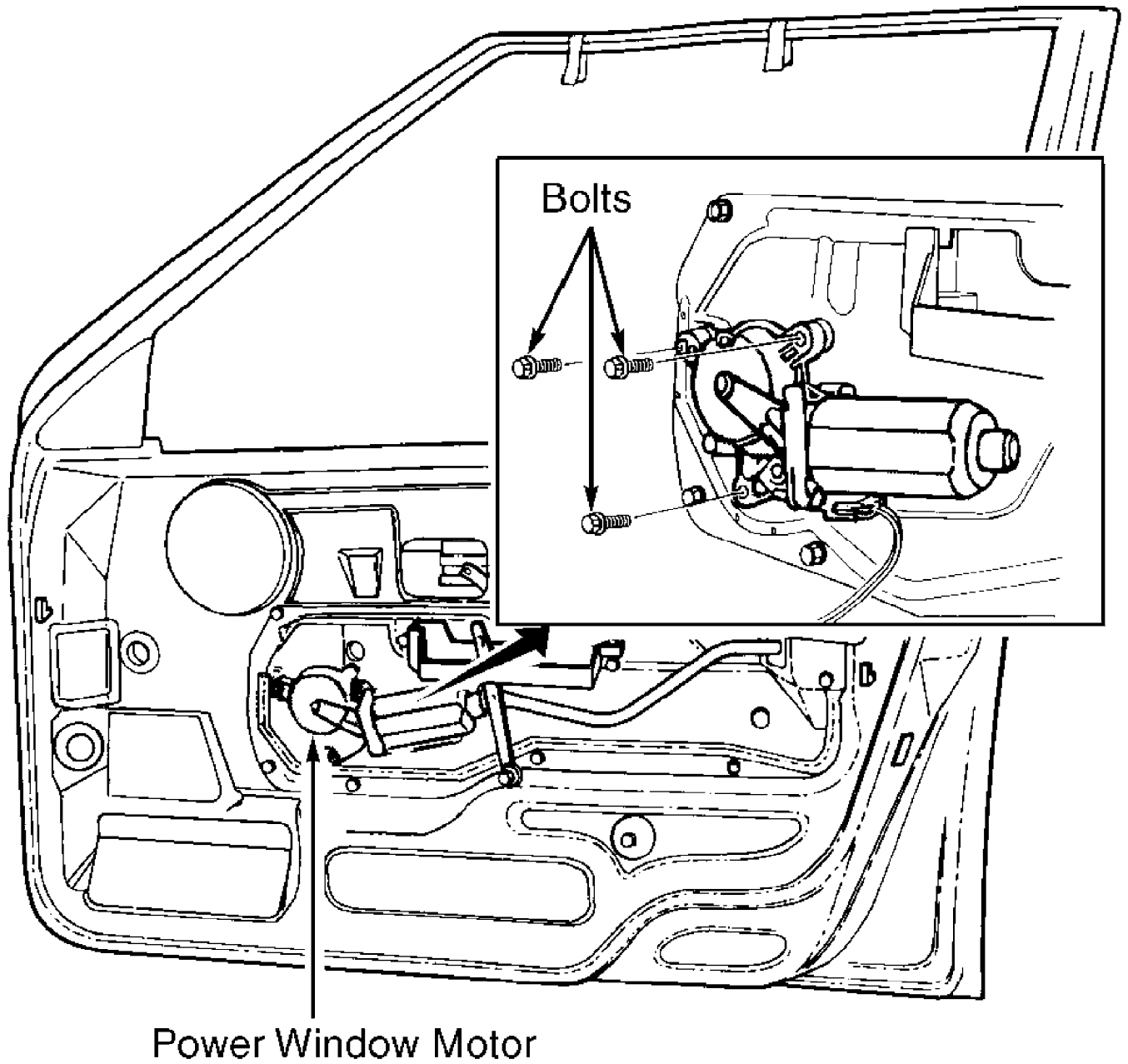
Removal & Installation

Raise window up all the way and secure in position with duct tape. Remove door trim panel. See Fig. 1. Remove plastic cover. Remove power window motor retaining bolts. See Fig. 2. Disconnect motor electrical connector. Lift out motor. To install, reverse removal procedure.



93E82747

Fig. 1: Removing Door Panel
Courtesy of Volvo Cars of North America.



Power Window Motor

93F82748

Fig. 2: Removing Power Window Motor
Courtesy of Volvo Cars of North America.

WIRING DIAGRAMS

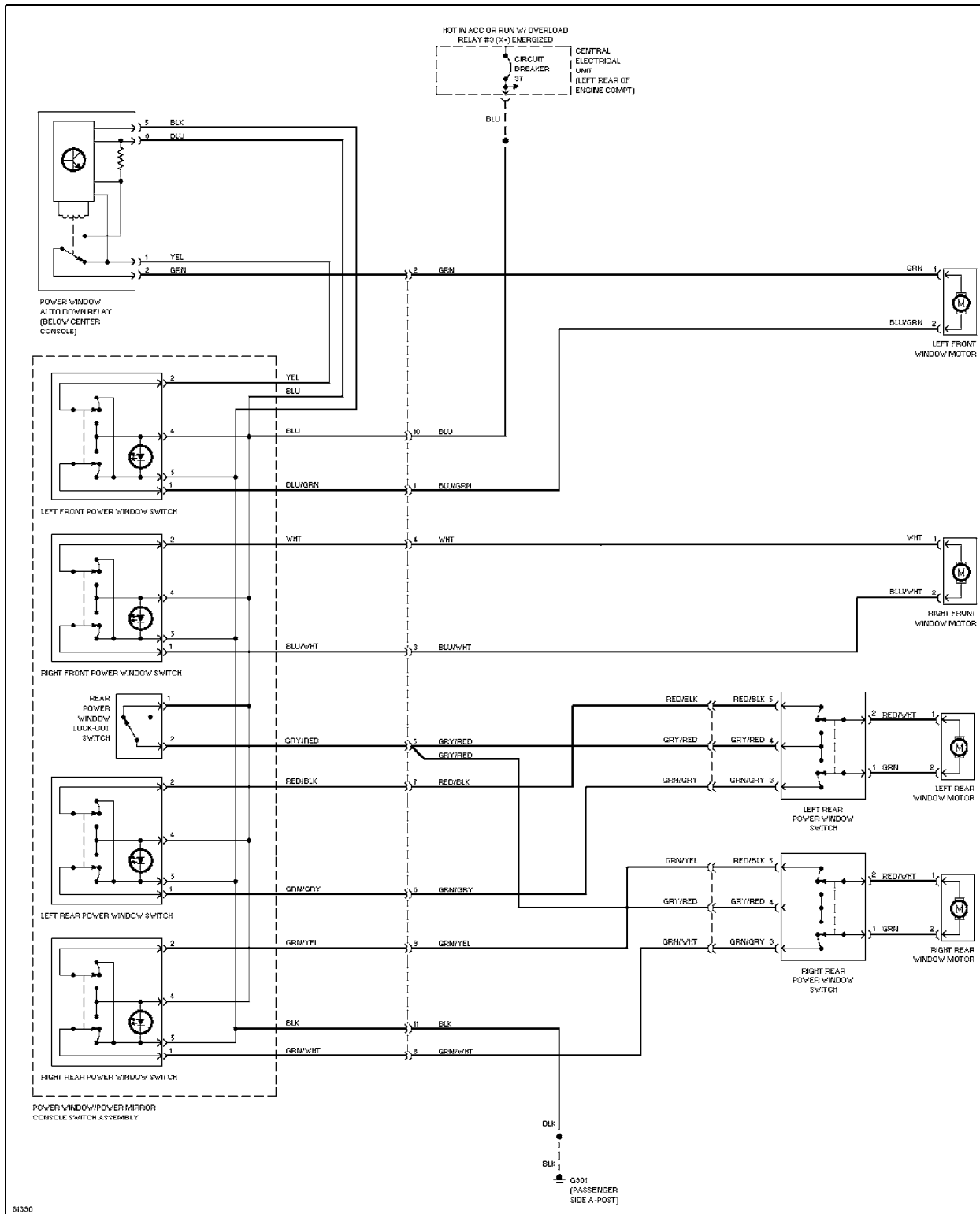


Fig. 3: Power Window System Wiring Diagram (1995-96)