

# MIRRORS - POWER

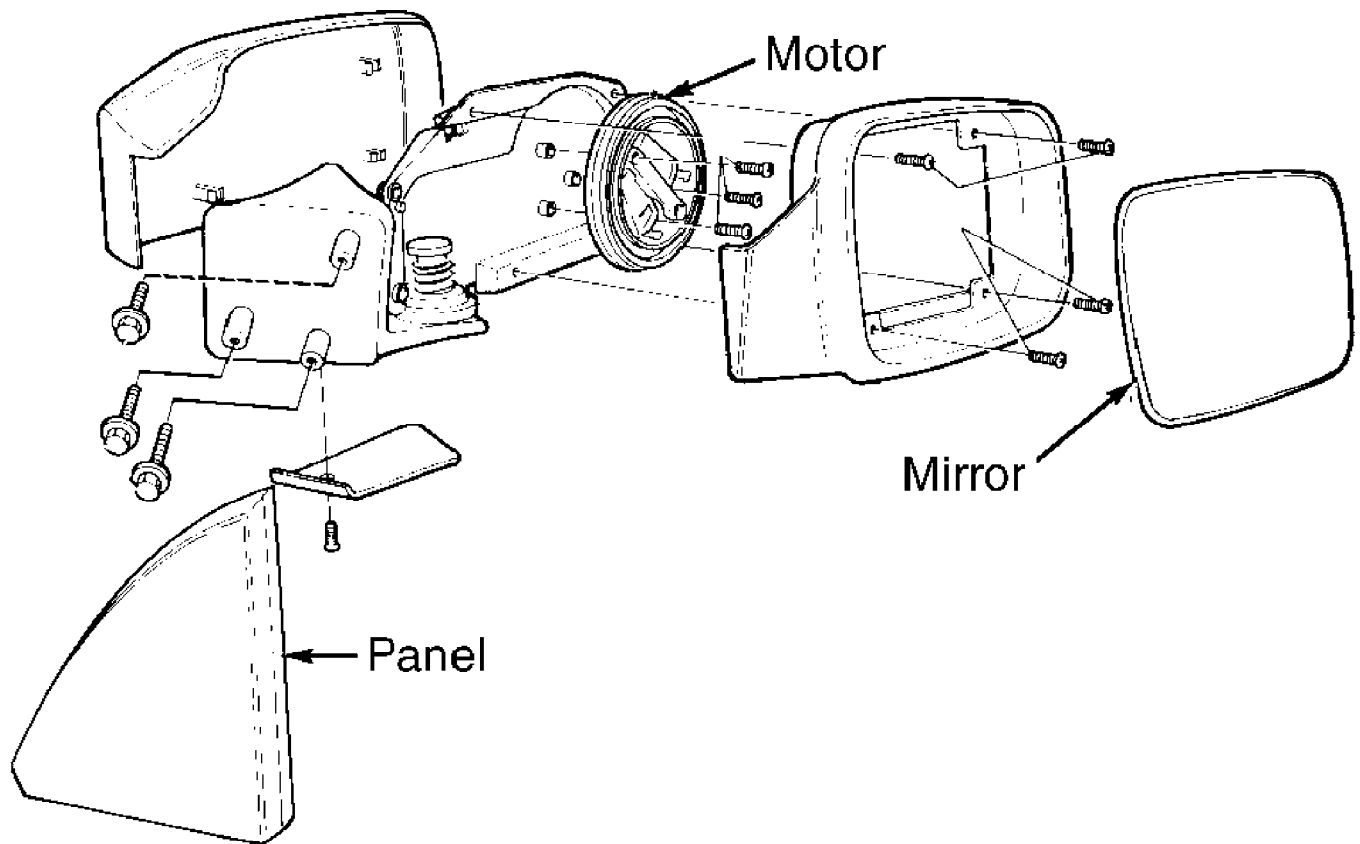
1995 Volvo 850

1995-96 ACCESSORIES & EQUIPMENT  
Volvo Power Mirrors

850

## DESCRIPTION & OPERATION

Power mirrors are standard on all vehicles. Power mirrors are controlled by switch located on center console. See Fig. 1.



93D82126

Fig. 1: Exploded View Of Power Mirror Assembly  
Courtesy of Volvo Cars of North America.

## TESTING

NOTE: Testing is not available from manufacturer.

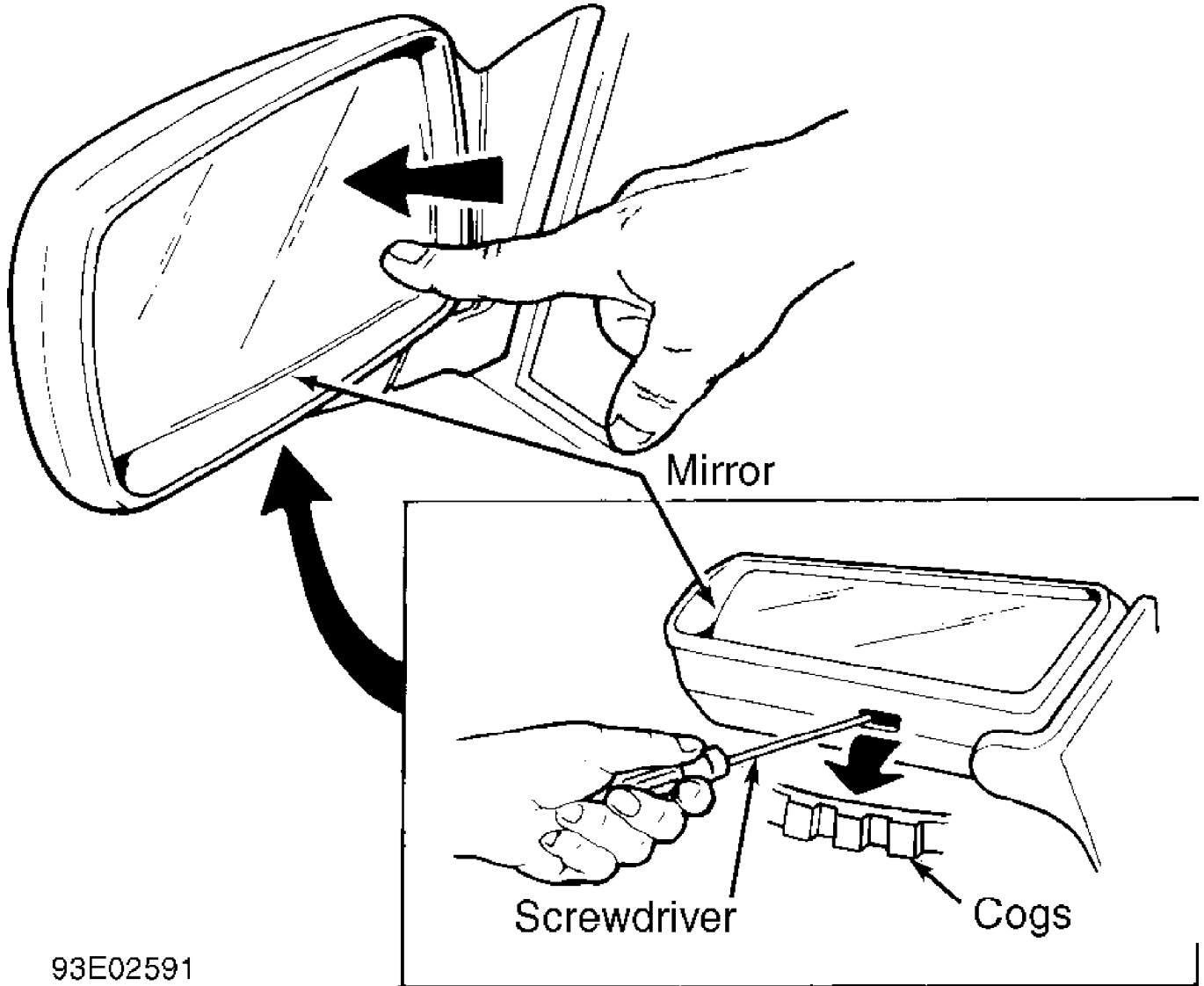
## REMOVAL & INSTALLATION

### POWER MIRROR MOTOR

Removal & Installation

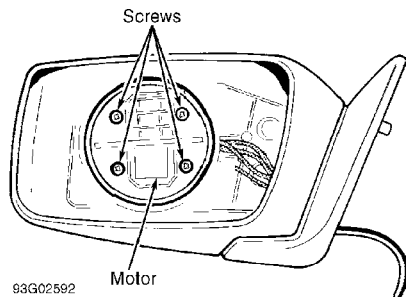
Grip behind mirror glass with fingers and pull straight out.  
If mirror is heated, detach contact pin. Remove 3 motor screws.  
Disconnect connector and remove motor. To install, reverse removal

procedure.



93E02591

Fig. 2: Removing Mirror Glass  
Courtesy of Volvo Cars of North America.



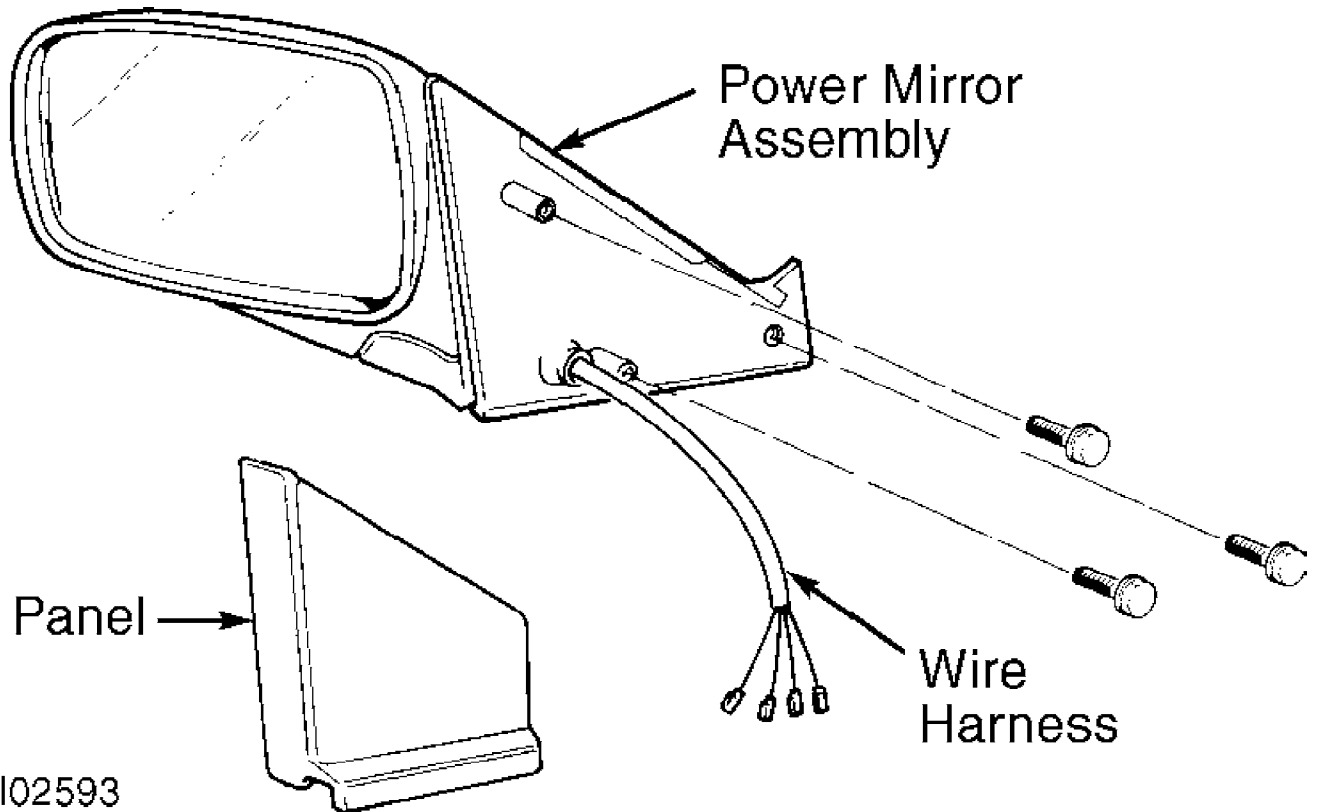
93G02592

Fig. 3: Removing Power Mirror Motor  
Courtesy of Volvo Cars of North America.

POWER MIRROR ASSEMBLY

Removal & Installation

Remove door panel. Remove power mirror panel. Disconnect switch wiring. Remove 3 bolts. Remove power mirror assembly. See Fig. 4.



93102593

Fig. 4: Removing Power Mirror Assembly (Similar)  
Courtesy of Volvo Cars of North America.

**WIRING DIAGRAMS**

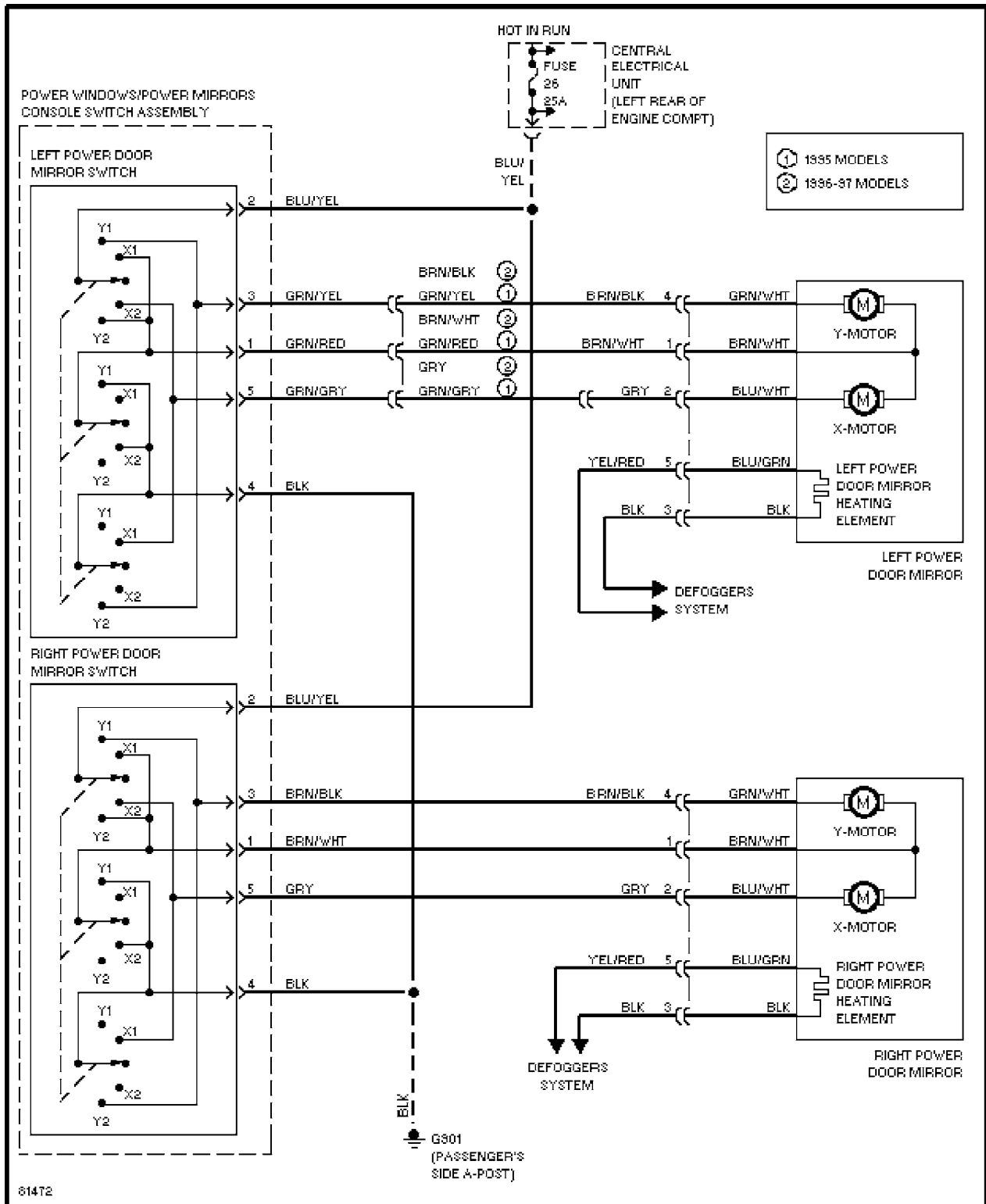


Fig. 5: Power Mirror System Wiring Diagram (1995-96)