

A - ENGINE/VIN ID

1995 Volvo 850

1995 ENGINE PERFORMANCE
Volvo - Introduction

1995 MODEL COVERAGE

MODEL IDENTIFICATION TABLE

MODEL	SERIES CODE	ENGINE	ENGINE ID	FUEL SYSTEM	IGNITION SYSTEM
850	L	55 (2.4L DOHC) (1)	B5254S	LH 3.2 (MFI)	EZ 129K (2) (3)
850 Turbo	L	57 (2.3L DOHC) (1)	B5234T	Motronic 4.3 (SFI)	Motronic 4.3 (2) (3)
940	J	88 (2.3L SOHC) (4)	B230F	LH 2.4 (MFI)	EZ 116K (2) (5)
	J	88 (2.3L SOHC) (4)	B230F	Regina (MFI)	REX-I (2) (5)
940 Turbo	J	86 or 87 (2.3L SOHC) (4)	B230FT	LH 2.4 (MFI)	EZ 116K (2) (5)
960	K	95 (3.0L DOHC) (1)	B6304S	Motronic 1.8 (MFI)	Motronic 1.8 (2) (5)

(1) - Double Overhead Camshaft (850 is 20-Valve; 960 is 24-Valve).
 (2) - Timing is computer-controlled.
 (3) - Camshaft sensor type.
 (4) - Single Overhead Camshaft (8-Valve).
 (5) - Flywheel sensor type.

VIN DEFINITION

(VIN) Y V 1 J S 8 8 1 3 S 1 1 2 3 4 5 6
 1 2 3 4 5 6 7 8 9 10 11 12 13 14 15 16 17

- 1-3 - Indicates Manufacturing Code.
- 4 - Indicates Model Series.
- 5 - Indicates Vehicle Type.
 - "S" denotes 4-door with airbag.
 - "W" denotes 5-door with airbag.
- 6-7 - Indicates Engine Code.
- 8 - Indicates Emission Type.
- 9 - Indicates Check Digit
- 10 - Indicates Model Year.
- 11 - Indicates Factory Code.
- 12-17 - Indicates Production Sequence.

MODEL YEAR VIN CODE APPLICATION TABLE

VIN Code	Model Year
P	1993
R	1994
S	1995

ENGINE CODE LOCATION

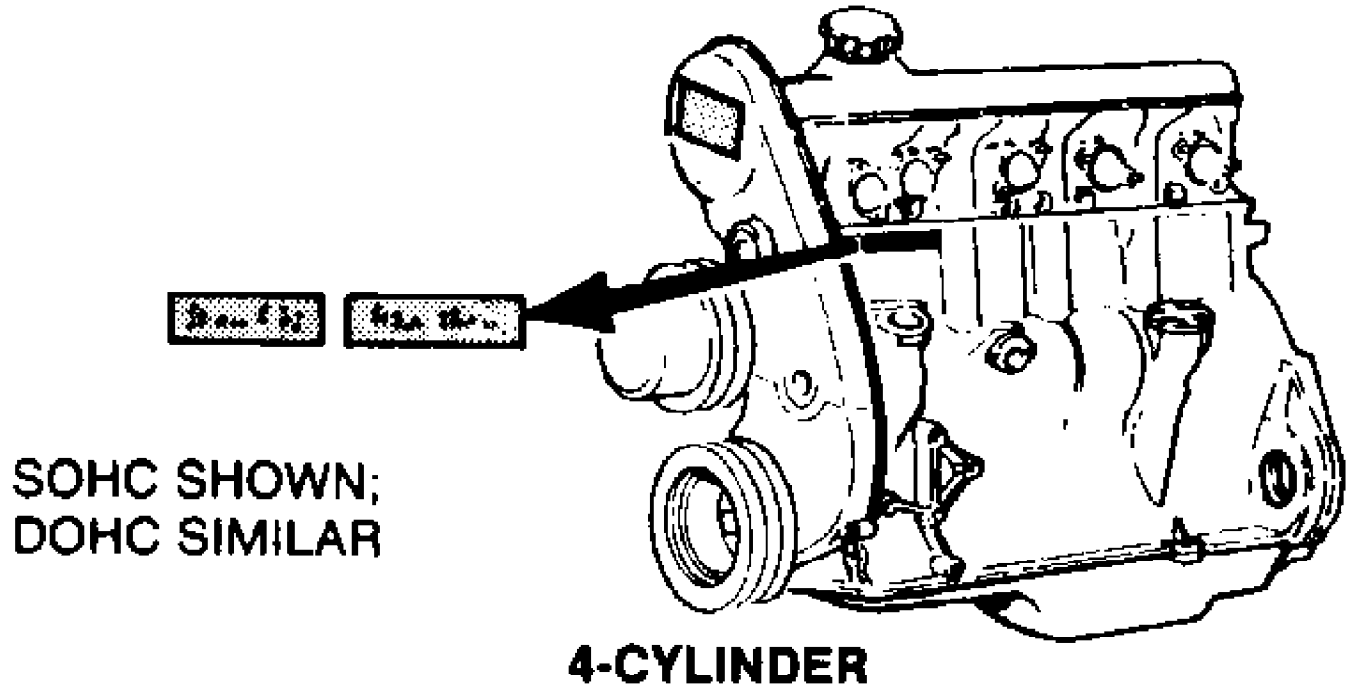
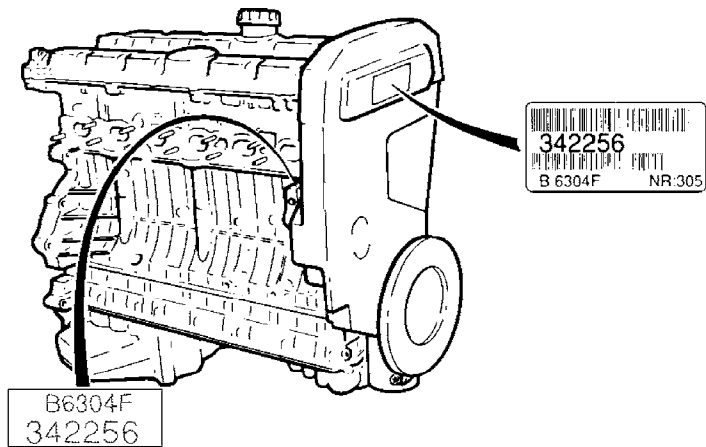


Fig. 1: Locating Engine Identification Codes (4-Cylinder)
Courtesy of Volvo Cars of North America.



92D26107
Fig. 2: Locating Engine Identification Codes (5-Cyl. & 6-Cyl.)
Courtesy of Volvo Cars of North America.