

# Group 8 Body and interior

## Group 84 Glass and mirrors

Component	Output (W)	Resistance( $\Omega$ )
Heated rear window, .....	150	0.72 $\pm$ 0.07

## Group 87 Air conditioning (A/C)

Gasoline (Petrol) engines	260: 1975-1978	260: 1979-1985	240: 1975-1978
Refrigerant, type .....	R 12	R 12	R 12
quantity, ..... g	1100	1500	1100
Compressor, make .....	Delco	Delco	York
designation .....			A 209
no. of cylinders .....	6	6	2
cylinder volume ..... cm <sup>3</sup>	208	208	147
max. speed ..... r/s (rpm)	91.6 (5500)	91.6 (5500)	100 (6000)
safety valve actuated at ..... bar			
Lubricating oil, type.... Volvo P/N	11 60 048-3	11 60 048-3	11 60 048-3
lubricant volume..... ml	310	310	300

Gasoline (Petrol) engines	240: 1979-984	240: 1985-1992	240: 1993
Refrigerant, type .....	R 12	R12	R 134a
quantity, ..... g	1300	1300(1100)*	750
Compressor, make .....	York	Diesel Kiki/Zexel	Seiko-Seiki
designation .....	A 210	DKS 15BH/CH	SS-121DS5
no. of cylinders .....	2	6	-
cylinder volume ..... cm <sup>3</sup>	164	152.6	121
max. speed ..... r/s (rpm)	100 (6000)	115 (7000)	130 (7800)
safety valve actuated at ..... bar		32.0	37.0 $\pm$ 3.7
Lubricating oil, type.... Volvo P/N	1 160 048-3	1 160 048-3	11 61 426-0
lubricant volume..... ml	300	200	220

\* 1,300 grams up to and including 1990; 1,100 grams 1991-1992:

<b>Diesel engines</b>	<b>1980-1981</b>	<b>1982-1989</b>	<b>1990-1992</b>
<b>Refrigerant, type</b> .....	R12	R 12	R 12
<b>quantity</b> ..... g	1300	1300	1300(1100)*
<b>Compressor, make</b> .....	Sankyo	Sankyo/Sanden	Diesel Kiki/Zexel
<b>designation</b> .....	SD-508	SD-510	DKS 15 BH/CH
<b>no. of cylinders</b> .....	5	5	6
<b>cylinder volume</b> ..... cm <sup>3</sup>	138	164	152.6
<b>max. speed</b> ..... r/s (rpm)	100 (6000)	100 (6000)	115 (7000)
<b>safety valve actuated at</b> ..... bar			32.0
<b>Lubricating oil, type</b> ..... Volvo P/N	11 60 048-3	11 60 048-3	11 60 048-3
<b>lubricant volume</b> ..... ml	175	135	200

\* 1990, 1,300 g; 1991-1992, 1,100 g;

		<b>Cut-in</b>	<b>Cut-out</b>
<b>Low-pressure switch (Pressostat) R 12</b> ..... bar		3.2 ± 0.15	1.8 ± 0.1
<b>R 134a</b> ..... bar		3.1 ± 0.15	1.6 ± 0.1
<b>Pressure switch, FC, R 12</b> ..... bar		16.9 ± 0.1	13.1 ± 0.1
<b>R 134a</b> ..... bar		17.0 ± 0.1	13.0 ± 0.1

### Performance test

#### Conditions

	<b>1975-1978</b>	<b>1979-1993</b>
Bonnet (hood), doors and windows.....	closed	closed
Engine speed.....	33 r/s (2000 rpm)	33 r/s (2000 rpm)

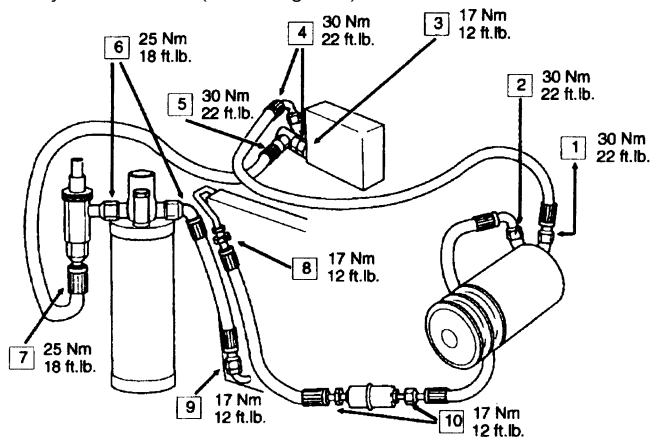
#### Control settings

Blower speed.....	3 (max)	3 (max)
Temperature.....	Cool	Cool
FLOOR vent flap.....	Closed	Closed
	(pushbutton out)	(pushbutton out)
DEF vent flap.....	Closed	Closed
	(pushbutton out)	(pushbutton out)
REC vent flap.....	Outside air	Outside air
	(pushbutton out)	(pushbutton out)
Panel vent outlets.....	Open	Open
A/C switch.....	On	On (red area)

<b>Recorded operating conditions</b>				
<b>Ambient air temp. measured in front of car.</b>		<b>20° C</b>	<b>30° C</b>	<b>40° C</b>
<b>Temp. of expelled air measured at centre panel outlets.</b>	75 - 78	8 - 10 °C	13 - 17 °C	20 - 26 °C
<b>(by model year)</b>	79 - 90	9 - 12 °C	9 - 12 °C	9 - 12 °C
	91 - 93	5 - 8 °C	5 - 8 °C	8 - 12 °C

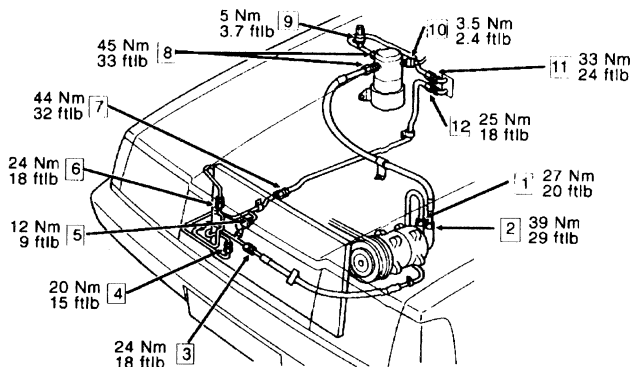
## Tightening torque

Model year 1975-1990 (R 12 refrigerant)

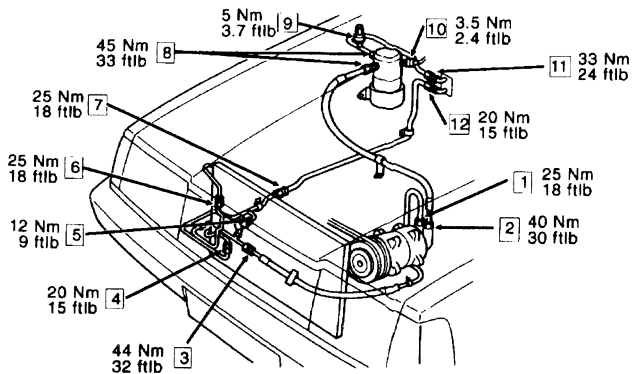


- 1 To A/C compressor
- 2 From A/C compressor
- 3 Pipe, expansion valve
- 4 To and from evaporator
- 5 To expansion valve
- 6 To and from receiver/dryer
- 7 From ETF valve
- 8 To condenser
- 9 From condenser
- 10 To and from silencer

Model year 1991-1992 (R 12 refrigerant)



Model year 1993 (R 134a refrigerant)



For symbols refer to previous page.

- 1 From compressor
- 2 To compressor
- 3 Connection between compressor and condenser
- 4 From condenser
- 5 High pressure switch
- 6 To condenser
- 7 Connection between condenser and evaporator
- 8 To and from receiver/dryer
- 9 ETF valve
- 10 Low-pressure switch (Pressostat)
- 11 From evaporator
- 12 To evaporator