

## Roof, adjusting

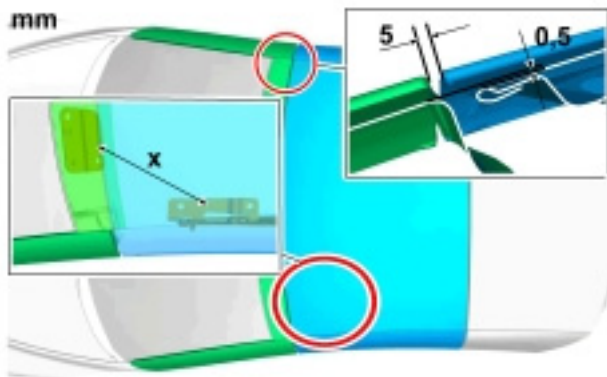
**Obs!** The illustrations in this service information are used for different model years and/or models. Some variation may occur. However, the essential information in the illustrations is always correct.

### Adjustment

1

#### Adjusting link system

First, adjust the link system against the front roof panel and against the roof bow, then against the rear roof panels acc. to: VCC-284509-1, Link system roof dimensions and VCC-264635-1, Doors/hood/trunk lid/roof, adjustment dimensions.

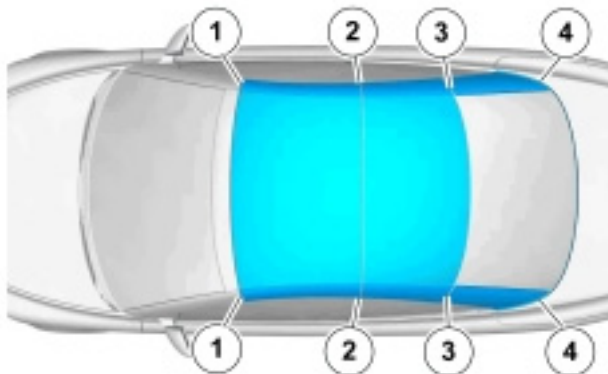


IMG-

235577

2

Adjust clearance between the roof panels in the order shown by the figure.



IMG-

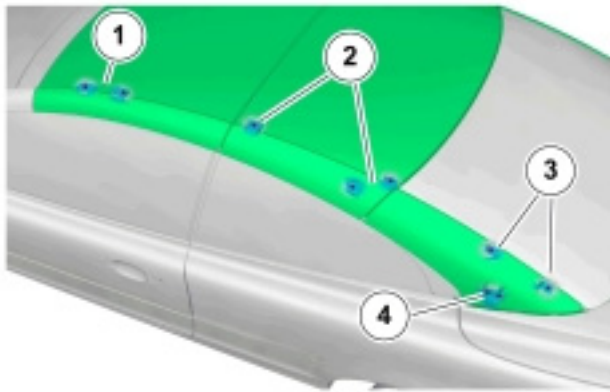
235579

3

#### Adjusting, overview

Settings shown below are the basic settings from factory. After performing basic settings on link system and locks, 'fine-tune' the roof panels' height using the locks.

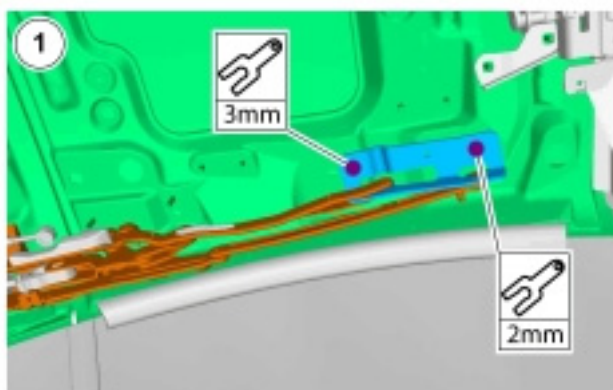
1



Perform the basic adjustment of roof panels with shims.

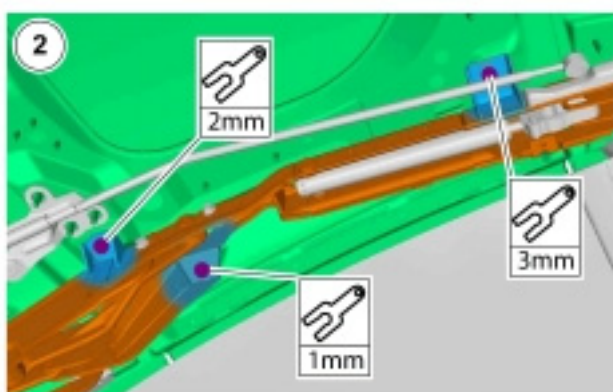
IMG-

235582



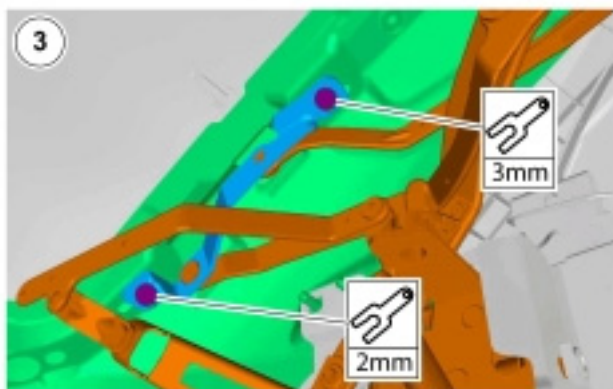
IMG-

235583



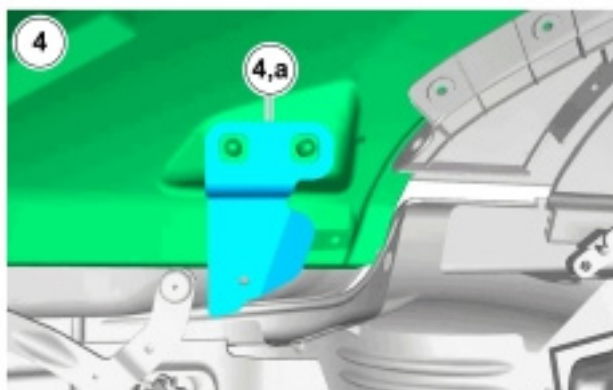
IMG-

235584



IMG-

235585

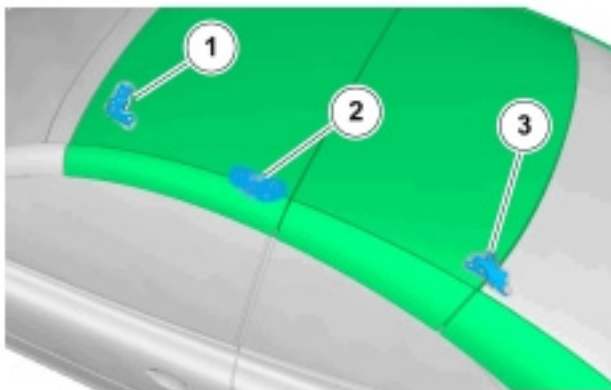


Centre the brace (4,a).

IMG-

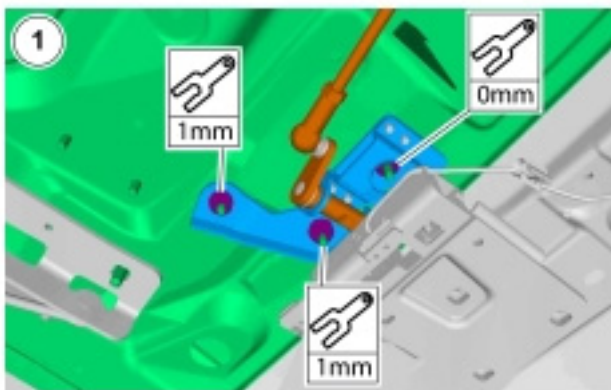
235586

Perform basic adjustment of the locks.



IMG-

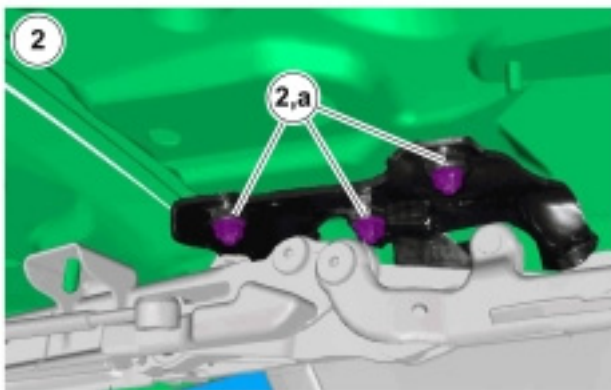
235587



IMG-

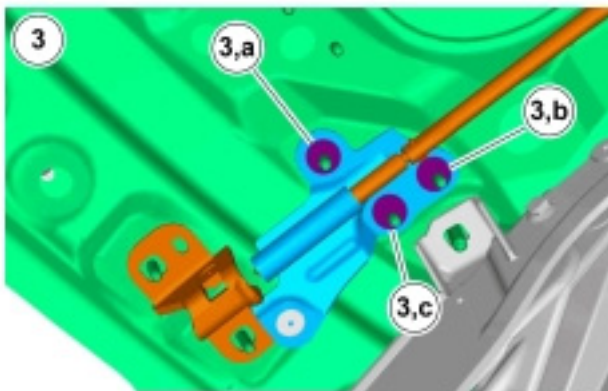
235588

Distance between roof and lock at (2,a) shall be 4 mm.



IMG-

235590

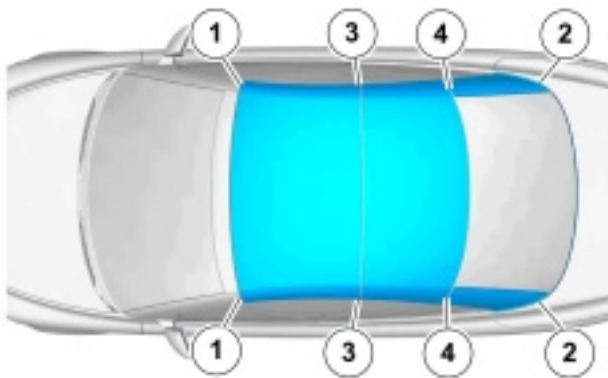


IMG-

235591

Distance between roof and lock at (3,a), (3,b) and (3,c) shall be 6 mm.

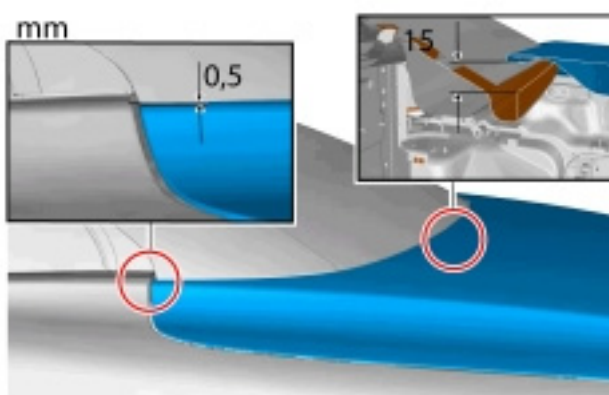
**Obs!** When 'fine-tuning' the rear lock, the lock is angled to pull the roof panels in correct position.



IMG-

235592

'Fine-tune' the roof's height position in the order shown by the figure.



IMG-

235594

In the figure, the height of the rear roof panel is given against the trunk lid and rear fenders.

**Tips:** Measure the height between the trunk lid and rear roof panel using playdough. Open the trunk lid and remove the rubber strip. Place a piece of playdough on the flange and close the lid carefully. Then open the lid and measure the height of the playdough.