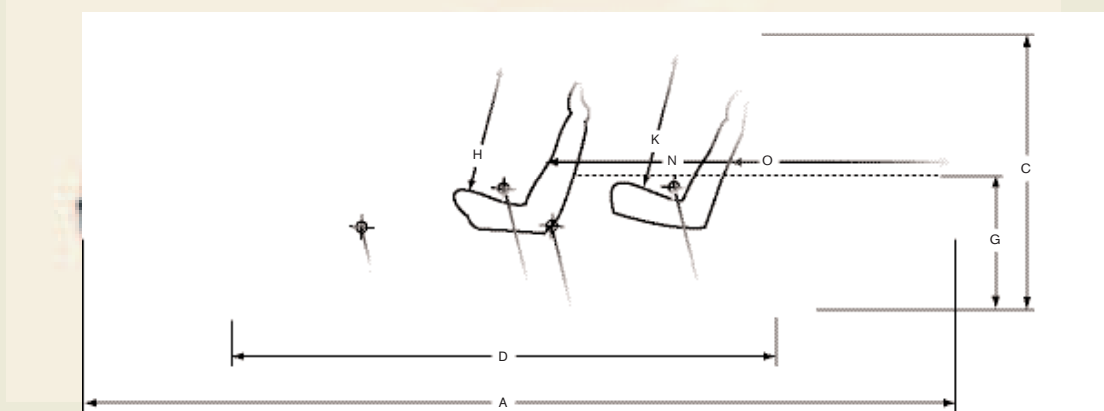


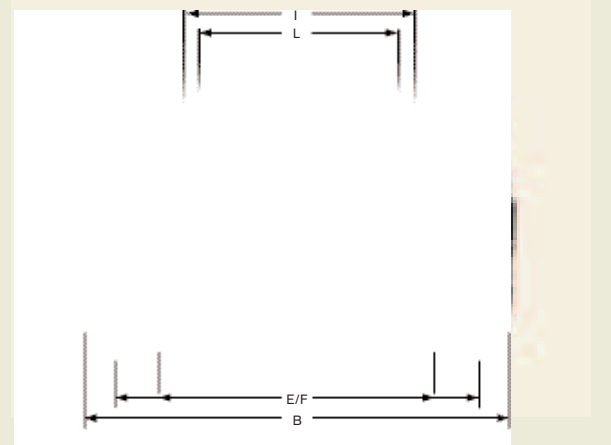
ENGINE	Manual	Geartronic
Configuration	Transverse - 20 valve	Transverse – 20 valve
Cylinders	5	5
Engine capacity, cc	2521	2521
Bore x stroke, mm	83 x 93	83 x 93
Max. output ECE, bhp/kw/rpm	300/220/5500	300/220/6000
Max. torque ECE, Nm/rpm	400/1950-5250	350/1850-6000 Auto
Octane rating	95-98 RON <sup>(i)</sup> unleaded	95-98 RON <sup>(i)</sup> unleaded
Fuel system	Multipoint fuel injection	Multipoint fuel injection
Compression ratio	8.5:1	8.5:1

INSURANCE GROUPS	
Volvo S60 R	18

WEIGHTS	
Min. kerb weight, kg (actual kerb weight dependent on spec)	1637
Max. possible towing weight braked, kg	1600
Max. towing weight unbraked approx, kg <sup>(iv)</sup>	750
Max. total weight, kg	2110
Max. roof load, kg	100
Max. payload, kg (dependent on spec)	473



EXTERIOR (mm)		INTERIOR (mm)	
A Overall length	4606	H Front seat max. headroom <sup>(v)</sup>	984
B Overall width (exc. wing mirrors)	1804	I Front seats width	1427
C Unladen height	1431	J Front seat max. legroom	1082
D Wheelbase length	2715	K Rear seat max. headroom <sup>(v)</sup>	962
E Front track width	1557	L Rear seats width	1409
F Rear track width	1542	M Rear seat max. legroom	847
G Rear Load Height	661	N Load length luggage 2 seat mode	1727
		O Load length luggage 5 seat mode	1047



PERFORMANCE	Manual	Geartronic
Top speed, mph	155	155
Acceleration 0-62 mph, sec	5.7	7.5
Drag co-efficient	0.29	0.29

FUEL CONSUMPTION <sup>(ii)</sup>	Manual	Geartronic
(Government Approved) Mpg (l/100 km) <sup>(iii)</sup>		
Urban	19.2 (14.7)	17.5 (16.1)
Extra Urban	34.0 (8.3)	34.4 (8.2)
Combined	26.4 (10.7)	25.4 (11.1)
CO <sub>2</sub> g/km	256	266
VED (Vehicle Excise Duty) Band	D	D
Fuel tank volume, litres (gallons)	68 (15.0)	68 (15.0)

TRANSMISSION	
Manual	6 speed
Geartronic	5 speed

BRAKES	
Disc diameter mm, front	330
Disc diameter mm, rear	330

TYRES	
17" Pegasus Alloy Wheels – 235/45Y Pirelli P-Zero Rosso	
18" Pegasus Alloy Wheels – 235/40Y Pirelli P-Zero Rosso	
18" Pegasus Alloy Wheels (Graphite) – 235/40Y Pirelli P-Zero Rosso	

POWER STEERING SYSTEM	
(rack & pinion)	
Turning Circle, m (ft)	13.0 (42.7)

LUGGAGE COMPARTMENT	
Volume, litres (cu. ft)	394
Volume, rear seats down, litres (cu. ft)	808

- (i) For best performance and lowest fuel consumption 98 RON is recommended. 95 RON can be used for normal driving.
- (ii) These results do not express or imply any guarantee of the fuel consumption of a particular car as there are inevitable differences between individual cars of the same model. Additionally driving style, traffic conditions, as well as the age and mileage and standard of maintenance will affect a car's fuel consumption.
- (iii) The Urban fuel consumption figure is based on typical city driving, including starting the car from cold. The Extra Urban figure is based on typical motorway driving and cruising. The Combined figure averages the consumption across both cycles.
- (iv) Unbraked towing weight must not exceed 50% of kerb weight up to a maximum of 750 kg.
- (v) Figure quoted without sunroof.

**Notes**

Some specifications may have lower CO<sub>2</sub> emissions than those shown. Once a vehicle has been built it will be given its own specific CO<sub>2</sub> emission figure on which Vehicle Excise Duty and company car tax, where appropriate, will be calculated. Please contact your dealer for details.

A weighbridge must be used to determine specific weights.

Data valid for manual transmission unless specified.

All measurements in mm.

Some of the information in this price list may not be correct due to product changes which may have occurred since it was printed. Some of the equipment described or shown may now be available at extra cost. Before ordering, please ask your Volvo dealer for the latest information. The manufacturer reserves the right to make changes at any time, without notice, to price, colour, materials, specifications and models.

Volvo Car UK Limited, Globe Park, Marlow, Buckinghamshire, SL7 1YQ.