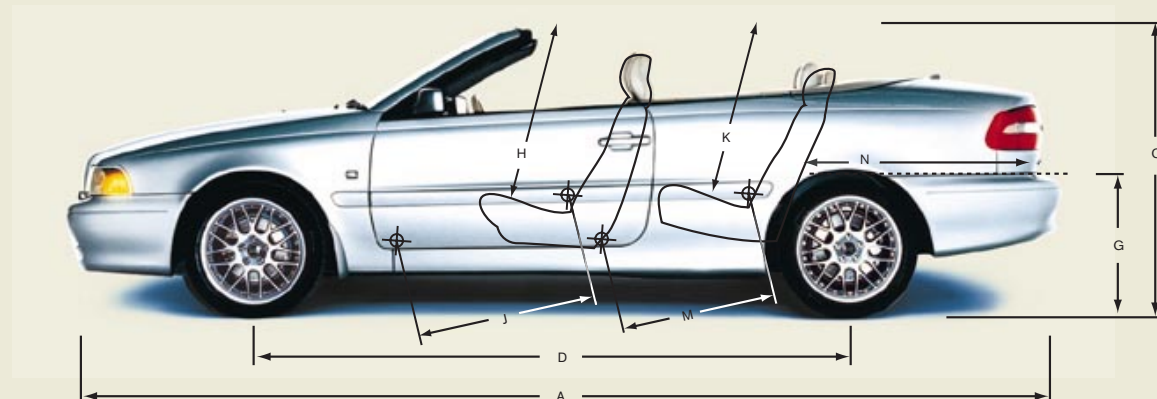


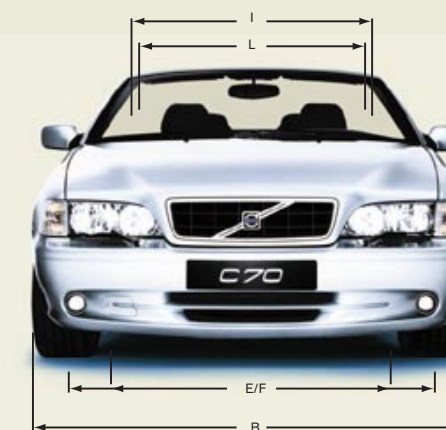
ENGINE	2.0T	2.4T	T5
Configuration	Transverse – 20 valve	Transverse – 20 valve	Transverse – 20 valve
Cylinders	5	5	5
Engine capacity, cc	1984	2435	2319
Bore x Stroke, mm	81 x 77	83 x 90	81 x 90
Max. output ECE, bhp/kw/rpm	163/120/5100	200/147/5700	245/180/5400
Max. torque ECE, Nm/rpm	230/1800-5000	285/1800-5000	330/2400-5100
Octane rating	95-98 ⁽ⁱ⁾ RON unleaded	95-98 ⁽ⁱ⁾ RON unleaded	95-98 ⁽ⁱ⁾ RON unleaded
Fuel system	Multipoint Fuel Injection	Multipoint Fuel Injection	Multipoint Fuel Injection
Compression ratio	9.5:1	9.0:1	8.5:1

INSURANCE GROUPS	2.0T/2.0T GT	2.4T GT	T5 GT
Volvo C70 Convertible	15/16	17	18

WEIGHTS	All models
Min. kerb weight, kg (actual kerb weight dependent on spec.)	1565
Max. possible towing weight braked, kg	1600
Max. towing weight unbraked approx, kg ^(iv)	500
Max. total weight, kg	2020
Max. roof load, kg	N/A
Max. payload, kg (dependent on spec.)	455



EXTERIOR (mm)		INTERIOR (mm)	
A Overall length	4716	H Front seat max. headroom	995
B Overall width (exc. wing mirrors)	1817	I Front seats width	1410
C Unladen height	1429	J Front seat max. legroom	1051
D Wheelbase length	2664	K Rear seat max. headroom	986
E Front track width	1521	L Rear seats width	1140
F Rear track width	1518	M Rear seat max. legroom	879
G Ground to boot base height	706	N Load length luggage 4 seat mode	820



PERFORMANCE	2.0T Man	2.0T Auto	2.4T Man	2.4T Auto	T5 Man	T5 Auto
Top speed, mph	130	124	137	130	149	143
Acceleration 0-62mph, sec	9.9	10.7	8.5	9.0	7.5	8.0

TRANSMISSION	All models
Manual	5
Automatic	5

POWER STEERING SYSTEM	All models
(rack & pinion) Turning circle, m (ft)	11.7 (38'4")

FUEL CONSUMPTION ⁽ⁱⁱ⁾	2.0T Man	2.0T Auto	2.4T Man	2.4T Auto	T5 Man	T5 Auto
(Government Approved) Mpg (l/100km) ⁽ⁱ⁾ Urban	20.9 (13.5)	18.1 (15.6)	20.6 (13.7)	17.7 (16.0)	20.6 (13.7)	17.7 (16.0)
Extra Urban	38.2 (7.4)	36.7 (7.7)	36.7 (7.7)	35.3 (8.0)	36.7 (7.7)	35.3 (8.0)
Combined	29.1 (9.7)	26.6 (10.6)	28.5 (9.9)	25.9 (10.9)	28.5 (9.9)	25.9 (10.9)
CO ₂ g/km	230	253	236	261	236	261
VED (Vehicle Excise Duty) Band	E	E	E	E	E	E

BRAKES	2.0/2.4T	T5
Disc diameter mm, front	280 Ventilated	302 Ventilated
Disc diameter mm, rear	295	295

LUGGAGE COMPARTMENT	All models
Volume, litres (cu.ft)	223 (8.1)

PERFORMANCE	All models
Drag co-efficient	0.34

FUEL TANK	All models
Volume, litres (gallons)	68 (15.0)

- (i) For best performance and lowest fuel consumption 98 RON is recommended. 95 RON can be used for normal driving.
- (ii) The Urban fuel consumption figure is based on typical city driving, including starting the car from cold. The Extra Urban figure is based on typical motorway driving and cruising. The Combined figure averages the consumption across both cycles.
- (iii) These results do not express or imply any guarantee of the fuel consumption of a particular car as there are inevitable differences between individual cars of the same model. Additionally driving style, traffic conditions, as well as the age and mileage and standard of maintenance will affect a car's fuel consumption.
- (iv) Unbraked towing weight must not exceed 50% of kerb weight up to a maximum of 750 kg.

Notes

All weights for any specific vehicle will vary according to standard and optional equipment fitted. A weighbridge must be used to determine specific weights. Data valid for manual transmission unless specified. All measurements in mm. NB Some of the information in this price list may not be correct due to product changes which may have occurred since it was printed. Some of the equipment described or shown may now be available only at extra cost. Before ordering, please ask your Volvo dealer for the latest information. The manufacturer reserves the right to make changes at any time, without notice, to prices, colour, materials, specifications and models. Volvo Car UK Limited, Globe Park, Marlow, Buckinghamshire, SL7 1YQ