

# THE ALL-NEW VOLVO XC70 PRICING



# THE ALL-NEW VOLVO XC70

Built to take you further and keep you safer, this all-new Volvo XC70 copes with anything that passes for road and improves the ride on anything that doesn't. Improvements include the world's first dual-stage integrated child booster seats, laminated glass available all round (a first), weight-adjusted force-limiter safety belts (because people are not all the same weight), and powerful 6 cylinder engines for the first time in a Volvo XC70.

## D5

The D5 2.4 litre, turbocharged, in-line, 5 cylinder, common rail diesel engine delivers very low fuel consumption and CO2 emissions with excellent performance – producing 185 PS and 400 Nm torque. This advanced design combined with third-generation electronic common rail fuel injection, variable blade turbocharger and a diesel particulate filter makes it one of the cleanest and most advanced diesel engines available on the market.

## AWD WITH INSTANT TRACTION™

The electronically controlled AWD (All Wheel Drive) system with Instant Traction™ automatically distributes drive between the front and rear wheels within a fraction of a second as conditions demand. This intelligent system optimises traction and stability in all conditions and aids fuel consumption.

CHOOSE YOUR VOLVO	2-3
STANDARD EQUIPMENT	4
OPTIONS	5
ACCESSORIES & UPHOLSTERY	6-7
TECHNICAL SPECIFICATION	8-9
CHOOSE YOUR COLOUR	10
CARE BY VOLVO	11

### XC70 SE

The SE aims to spoil. Its luxurious interior boasts supportive seats with Leather-faced upholstery – electronically adjustable for the driver. Then there's the 8 speaker High Performance audio system with 160 W output and intuitive features such as automatic rain sensor and autodimming rear view mirror. On the outside, 17" Sargas alloy wheels, extended XC roof rails and tough XC body cladding and mouldings make sure your presence doesn't go unnoticed on or off road.

	Basic £	VAT £	Rec Retail Price £	On the Road Price £
<b>PETROL</b> 3.2 SE Geartronic (238 PS)	£27,889.36	£4,880.64	£32,770.00	£33,600.00
<b>DIESEL</b> D5 SE (185 PS)	£25,787.23	£4,512.77	£30,300.00	£31,035.00

### XC70 SE SPORT

The SE Sport model combines the luxury features of the SE with sports styling and handling enhancements. Speed dependent power steering and Volvo's active chassis system, Four-C, both have three user settings to allow you to set up the car exactly to your liking. 18" Minos alloy wheels enhance the handling and visual presence, along with a rear spoiler, while leather-faced ventilated powered front seats offer seven cooling and heating settings.

	Basic £	VAT £	Rec Retail Price £	On the Road Price £
<b>PETROL</b> 3.2 SE Sport Geartronic (238 PS)	£29,676.60	£5,193.40	£34,870.00	£35,700.00
<b>DIESEL</b> D5 SE Sport (185 PS)	£27,574.47	£4,825.53	£32,400.00	£33,135.00

### XC70 SE LUX

The SE Lux model is the ultimate in luxury. Modern wood inlays and heated and powered front seats further enhance the luxurious interior. Bi-Xenon headlamps, chrome window trim, power tailgate and rear park assist offer both style and protection. Four-C, Volvo's active chassis system, also gives three user settings – Comfort, Sport and Advanced

	Basic £	VAT £	Rec Retail Price £	On the Road Price £
<b>PETROL</b> 3.2 SE Lux Geartronic (238 PS)	£30,102.13	£5,267.87	£35,370.00	£36,200.00
<b>DIESEL</b> D5 SE Lux (185 PS)	£28,000.00	£4,900.00	£32,900.00	£33,635.00







ACCESSORIES	Basic £	VAT £	Rec Retail Price £
<b>EXTERIOR ACCESSORIES (PRICES EXCLUDE FITTING UNLESS SHOWN OTHERWISE)</b>			
Aluminium Bike Rack (down tube clamp)	£52.77	£9.23	£62.00
Bike Rack (servo lift)	£81.70	£14.30	£96.00
Bike Rack Cargo Area	£85.11	£14.89	£100.00
Bike Rack (towbar mounted and collapsible)	£288.51	£50.49	£339.00
Bike Carrier – extra bicycle towbar mounted	£69.79	£12.21	£82.00
Load Carrier Wing Profile	£80.85	£14.15	£95.00
Mud Flaps Front, Mud Flaps Rear (price per pair)	£22.13	£3.87	£26.00
Roofbox – Sport Time 200 (440 litre volume) <sup>(i)</sup>	£152.34	£26.66	£179.00
Ski/Snowboard Carrier with Sliding Rail	£60.43	£10.57	£71.00
Towbar – Detachable type with 13 Pin Electrics <sup>(ii)</sup>	£510.64	£89.36	£600.00
Rear Park Assist <sup>(iii)</sup> and Front Park Assist <sup>(iii)(iv)</sup> – price for each from	£289.36	£50.64	£340.00
Park Assist Camera (RTI required)	£446.81	£78.19	£525.00
Rear Spoiler	£237.45	£41.55	£279.00
<b>INTERIOR ACCESSORIES (PRICES EXCLUDE FITTING UNLESS SHOWN OTHERWISE)</b>			
Twin Screen Rear Seat Entertainment System <sup>(v)</sup>	£1,702.13	£297.87	£2,000.00
Boot Mat – rubber or textile/rubber reversible	£73.19	£12.81	£86.00
Cargo Area Divider and Dog Gate <sup>(vi)</sup>	£64.68	£11.32	£76.00
Cooler/Hot Box (excludes power cable)	£68.94	£12.06	£81.00
Bluetooth Hands-free Phone System	£170.21	£29.79	£200.00
First Aid Kit	£17.87	£3.13	£21.00
Load Liner – form moulded plastic for full cargo area	£64.68	£11.32	£76.00
iPod and/or USB Adaptor	£238.30	£41.70	£280.00
Rubber Floor Mats (set of four)	£40.85	£7.15	£48.00
Steel Safety Grille (behind second row of seats)	£147.23	£25.77	£173.00
Sunblind – rear door windows (pair)	£25.53	£4.47	£30.00
Sunblind – rear compartment (3 pieces)	£38.30	£6.70	£45.00
Table (rear centre armrest)	£17.87	£3.13	£21.00
<b>CHILD SEATS</b>			
Child Seat ISOFIX <sup>(vi)</sup>	£125.71	£6.29	£132.00
Infant Seat ISOFIX <sup>(vi)</sup>	£88.57	£4.43	£93.00
ISOFIX Frame	£92.77	£16.23	£109.00
Child Booster Cushion	£30.64	£5.36	£36.00
Child Booster Backrest (in conjunction with the above)	£30.64	£5.36	£36.00

Prices are correct at time of going to press – however, they are subject to change. Please check with your dealer.

- (i) Other roofboxes available – please ask your dealer for details.
- (ii) Detachable 7 pin and Fixed 13 pin and 7 pin also available – please ask your dealer for details.
- (iii) Indicates total fitted price post registration. At participating dealers only.
- (iv) Must be ordered in conjunction with Rear Park Assist.
- (v) Must be installed with Steel Safety Grille (additional cost).
- (vi) VAT on Child Seats is 5%.

For further information and a complete list of Volvo Accessories, take a look at the Accessory website: [www.volvocars.co.uk/accessories](http://www.volvocars.co.uk/accessories)

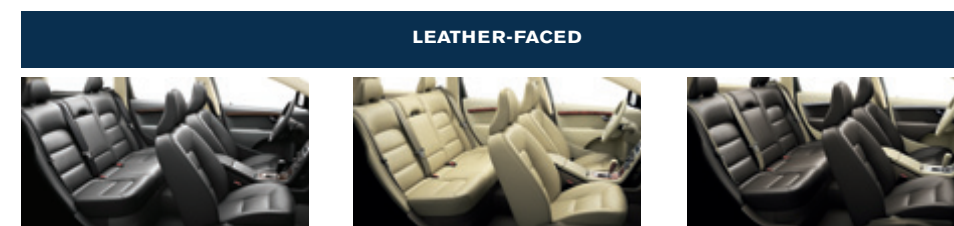


17" Sargas



18" Minos

## UPHOLSTERY



Off Black (F100)

Soft Beige (F112)

Espresso Brown (F116)



Off Black (F200)

Soft Beige (F212)

Espresso Brown (F216)

NB For full colour breakdown of upholstery and interior, please refer to the upholstery section below

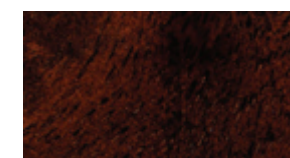
## INTERIOR INLAYS



XC Crossed Aluminium



Cross Brushed Aluminium



Walnut Wood



Modern Wood



Dark Finline

UPHOLSTERY	Upholstery Code	Interior Colour	Upholstery Colour	Dashboard Top	Door Panel, Lower Dashboard, & Upper Tunnel Console	Carpet & Lower Tunnel Console	Door Insert Colour	Headliner Colour
Leather-faced	F100	Anthracite Black	Off Black	Off Black	Off Black	Off Black	Off Black	Soft Beige
	F112	Sandstone Beige	Soft Beige	Espresso Brown	Soft Beige	Mocca Brown	Mocca Brown	Soft Beige
	F116	Sandstone Beige	Espresso Brown	Espresso Brown	Soft Beige	Mocca Brown	Espresso Brown	Soft Beige
Ventilated Leather-faced	F200	Anthracite Black	Off Black	Off Black	Off Black	Off Black	Off Black	Soft Beige
	F212	Sandstone Beige	Soft Beige	Espresso Brown	Soft Beige	Mocca Brown	Soft Beige	Soft Beige
	F216	Sandstone Beige	Espresso Brown	Espresso Brown	Soft Beige	Mocca Brown	Espresso Brown	Soft Beige

NB It is not possible to reproduce exact original shades in printed matter. Please ask your Volvo dealer to show you samples.

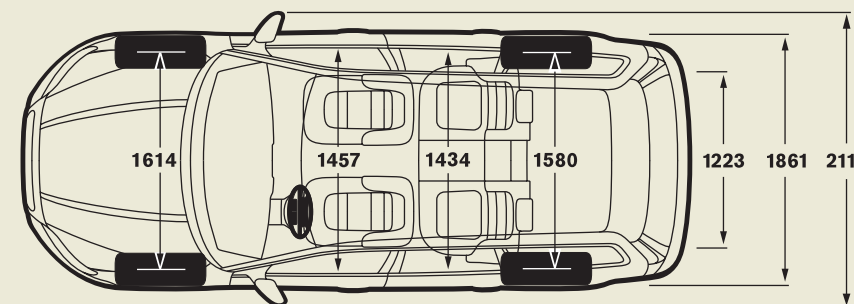
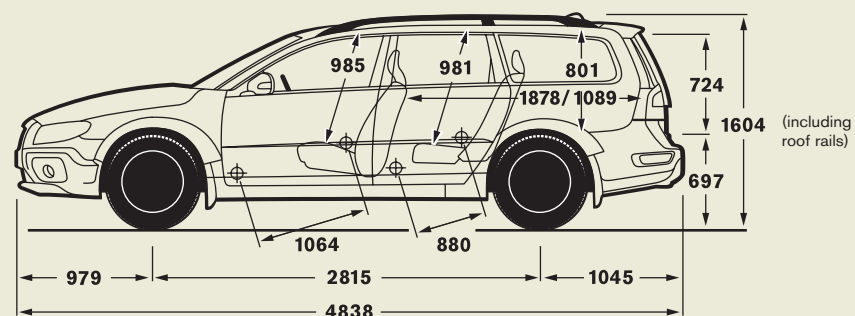
ENGINE	3.2	D5
Configuration	Transverse – 24 valve	Transverse – 20 valve
Cylinders	6	5
Engine capacity, cc	3192	2400
Bore x stroke, mm	84 x 96	81 x 93.1
Max. output ECE, PS/kw/rpm	238/175/6200	185/136/4000
Max. torque ECE, Nm/rpm	320/3200	400/2000-2750
Octane rating	95 RON unleaded <sup>(i)</sup>	Turbo Diesel
Fuel system	Port fuel injection	Common Rail direct injection
Compression ratio	10.8:1	17.3:1

PERFORMANCE	3.2 Geartronic	Manual	D5 Geartronic
Top speed, mph	134	130	127
Acceleration 0-60mph (sec)	8.1	8.8	9.4
0-62mph (0-100kmh) (sec)	8.6	9.3	9.9
Drag co-efficient	0.35	0.35	0.35

WEIGHTS	3.2 Geartronic	Manual	D5 Geartronic
Min. kerb weight, kg (actual kerb weight dependent on spec.)	1889	1868	1884
Max. possible towing weight braked, kg	1800	2100	2100
Max. towing weight unbraked approx, kg <sup>(iv)</sup>	750	750	750
Max. total weight, kg	2400	2390	2400
Max. roof load, kg	100	100	100
Max. payload, kg	511	522	516

POWER STEERING SYSTEM	
(rack & pinion) Turning circle, m (ft) 235 section tyres	12.0 (39.4)

LUGGAGE COMPARTMENT	To Glass Line	To Roof
Volume, rear seats up - luggage area, litres (cu.ft)	575 (20.3)	815 (28.8)
Volume, rear seats down, litre (cu.ft)	840 (29.7)	1600 (56.5)



FUEL CONSUMPTION <sup>(i)(iii)</sup>	3.2 Geartronic	Manual	D5 Geartronic
(Government Approved) Mpg (l/100 km)			
Urban	17.2 (16.4)	30.4 (9.3)	26.9 (10.5)
Extra Urban	33.2 (8.5)	46.3 (6.1)	40.4 (7.0)
Combined	24.8 (11.4)	38.7 (7.3)	34.0 (8.3)
CO <sub>2</sub> g/km	272	193	219
VED (Vehicle Excise Duty) Band	G	F	F

GROUND CLEARANCE	
Vehicle ground clearance, mm	210
with 2 persons, mm	205

INSURANCE GROUPS	3.2	D5
Volvo XC70	TBC	TBC

E = Exceeds security requirements for model concerned and group rating has been reduced.

	3.2	D5
Brakes		
Disc diameter front, mm	16.5"	16.5"
Disc diameter rear, mm	316	316
Transmission		
Manual	-	6 speed
Geartronic	6 speed	6 speed
Fuel tank volume litres (gallons)	70 (15.4)	70 (15.4)

- (i) For best performance and lowest fuel consumption 98 RON is recommended. 95 RON can be used for normal driving.
- (ii) These results do not express or imply any guarantee of the fuel consumption of a particular car as there are inevitable differences between individual cars of the same model. Additionally driving style, traffic conditions, as well as the age and mileage and standard of maintenance will affect a car's fuel consumption.
- (iii) The Urban fuel consumption figure is based on typical city driving, including starting the car from cold. The Extra Urban figure is based on typical motorway driving and cruising. The Combined figure averages the consumption across both cycles.
- (iv) Unbraked towing weight must not exceed 50% of kerb weight up to a maximum of 750 kg.

**Notes**

The weight of the vehicle will influence the level of CO<sub>2</sub> emitted. As a result, vehicles with higher levels of specification and factory fit options may emit higher levels of CO<sub>2</sub>. Once a vehicle has been built it will be given its own specific CO<sub>2</sub> emission on which the Vehicle Excise Duty will be charged.

A weighbridge must be used to determine specific weights.

Data valid for manual transmission unless specified.

All measurements in mm.

The Max. output figures are quoted in PS (Pferdestärke), which is the metric equivalent of brake horsepower.

NB Some of the information in this price list may not be correct due to product changes which may have occurred since it was printed. Some of the equipment described or shown may now be available at extra cost. Before ordering, please ask your Volvo dealer for the latest information. The manufacturer reserves the right to make changes at any time, without notice, to price, colour, materials, specifications and models.

Volvo Car UK Limited, Globe Park, Marlow, Buckinghamshire, SL7 1YQ



019 Black Stone



471 Willow Green pearl



426 Silver metallic



472 Oyster Grey pearl



452 Black Sapphire metallic



477 Inscription™ Electric Silver Coarse Flake metallic



454 Ruby Red pearl



484 Seashell metallic



466 Barents Blue pearl



614 Ice White

**CARE**  
BY VOLVO

## THE END IS JUST THE BEGINNING

It's a simple idea; one point of contact for all your car ownership needs – whether it's about finding the right finance deal or who to contact in an emergency. To get the most out of owning your Volvo, trust Care by Volvo.

### STARTING OFF ON THE RIGHT FOOT

You might be surprised how easy and flexible financing can be. Our range of finance, service and insurance options allows you to budget around one key factor – your lifestyle.

### FINANCE

As part of Volvo, Volvo Car Finance has developed a series of funding plans that will provide you with maximum choice and flexibility when acquiring a Volvo.

### INSURANCE

Volvo Owners Insurance is designed for Volvo drivers and because we know Volvos inside out, we can offer exactly the right tools and expertise, fitting only genuine Volvo parts by trained Volvo technicians. Because Volvo drivers have an excellent reputation, we can also offer extensive cover at a reasonable price.

Call now for your insurance quote on **0800 238 239<sup>(i)</sup>**, quoting reference BROCH.

### MAKING LIFE EASIER

Owning a Volvo should be a safe and enjoyable experience. To ensure it stays that way, we're committed to providing you with the best in support for as long as you own one.

### SERVICE PROGRAMME

Your Volvo dealer has the unique know-how to tailor a service programme according to Volvo's strict recommendations and guarantees you years of safety and driving pleasure.

### VOLVO ON CALL

Subscribe to Volvo On Call and you'll never be completely on your own. It's a GPS-based communication system providing 24-hour access to both emergency and roadside assistance wherever you are. See the Volvo On Call brochure for more information.

### LOOKING AHEAD

You'll probably never find out just how good some of these services are. But should the unexpected happen, we'd like to think that you'd be even happier you chose a Volvo.

### ROADSIDE ASSISTANCE

Every new car comes with one year's Volvo Assistance cover. You'll enjoy free breakdown and recovery assistance, anywhere in Europe, 24 hours a day. You can even extend cover for £85 for one year or £155 for two years.

Call Volvo Assistance on **08701 650 978**.

### WARRANTY

Every new Volvo comes with comprehensive protection. Our warranty covers the first three years or 60,000 miles, whichever comes first. There's a three year unlimited mileage warranty on the paintwork, and either eight or twelve years against rust perforation. If a component fails due to a defect or material fault, your dealer will swiftly rectify the problem, free of charge.

For tax free sales, including Military, Diplomat and all other Export enquiries, contact Volvo Car UK Tourist & Diplomat Sales or Volvo Car UK British Military Sales on **01707 262 388** or e-mail to [vcukics@volvocars.com](mailto:vcukics@volvocars.com) or [bms@volvocars.com](mailto:bms@volvocars.com)

All 'On The Road' prices quoted in this price list include Volvo standard national delivery charge, inclusive of number plates at £480 and the VED (Vehicle Excise Duty) car tax effective from 1st March 2000. The 'On The Road' price also includes a £50 vehicle first registration fee (as set by the government), effective since 1st April 1998 (excludes Channel Islands and Isle of Man). Retail prices quoted do not include these additions.

**WHAT NEXT?** If you'd like to find out more about the range of products and services that make up Care by Volvo, the story continues at [www.volvocars.co.uk](http://www.volvocars.co.uk) Alternatively you can contact your nearest Volvo dealer or request relevant brochures.

(i) Volvo Owners Insurance is underwritten by Royal & Sun Alliance Insurance plc No. 93792. Registered in England and Wales at St Mark's Court, Chart Way, Horsham, West Sussex RH12 1XL. Authorised and regulated by the Financial Services Authority. For your protection telephone calls will be recorded and may be monitored.

**NB** Some of the information in this brochure may not be correct due to product changes which may have occurred since it was printed. Before ordering, please ask your Volvo dealer for the latest information. The manufacturer reserves the right to make changes at any time, without notice, to prices, colour, materials, specifications and models.

#### Notes

All exterior colours come with Charcoal mouldings. It is not possible to reproduce exact original shades in printed matter. Please ask your Volvo dealer to show you samples.

Volvo. for life

**VOLVO**

Volvo Car UK Limited  
[www.volvocars.co.uk](http://www.volvocars.co.uk)

MODEL YEAR 2008 EDITION 1
PRINTED: JUNE 2007
06/07/90010586/25