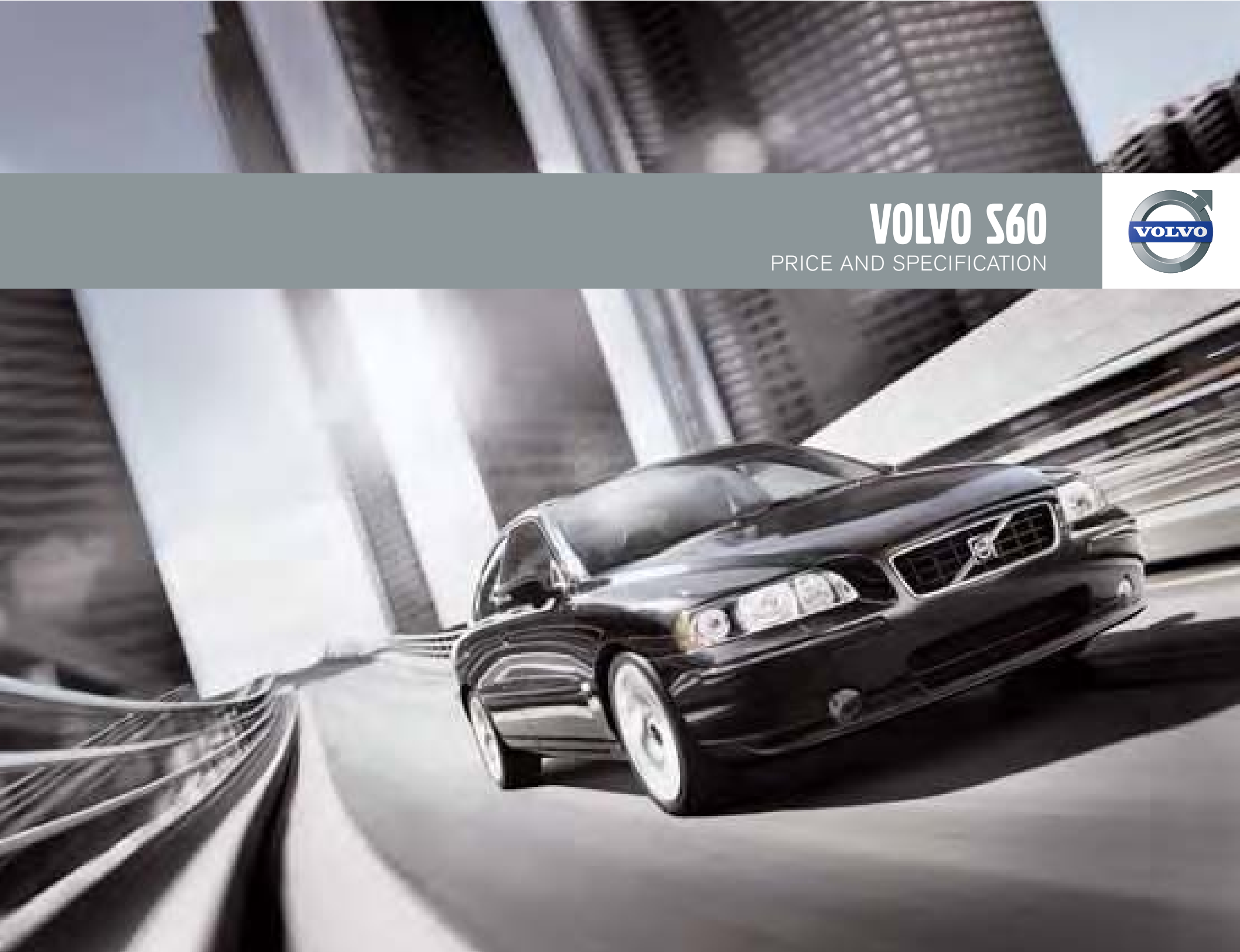


VOLVO S60

PRICE AND SPECIFICATION



Create your perfect Volvo S60

Congratulations. You're only a few steps away from your perfect Volvo S60. This price list contains everything you need to create the car that's exactly right for you.

From selecting the right package and choosing from a range of class leading engines, through to picking the perfect colour and adding the finishing touches, you're in complete control. You'll also find full engine details and in-depth technical specifications to help you make the most informed choice.

Whatever you decide, you'll be choosing the definitive sports saloon. Blessed with perfectly sculpted bodywork and a luxurious interior, the Volvo S60 certainly looks the part. But it's under the bonnet where it really excels – take a look through this price list to find out more.



S60 SE

The SE aims to spoil. The luxurious interior boasts power driver's seat with memory, then there's the 9-speaker High Performance audio system with Dolby Pro Logic II Surround Sound™, and intuitive features, such as an automatic rain sensor and autodimming rear view mirror with compass. On the outside, 17" Orestes alloy wheels and chrome inserts in the bumpers make sure your presence doesn't go unnoticed.

S60 SE LUX

SE Lux includes all the features from the luxurious SE plus upgraded Leather-faced upholstery, walnut wood trim, active bending headlamps and Volvo's Premium Sound audio system.

S60 SE SPORT

Want to make an impression? Our SE Sport model is the car for you. Specification includes the luxury features from the SE and chronograph instrument dials, speed dependent steering system, colour coordinated front and rear lower spoilers, side mouldings and rear spoiler plus 18" Eudora alloy wheels. Inside the cabin, the equipment list includes leather sports steering wheel and gear knob. The sports seats are upholstered in Nordborg – combining the benefits of leather and textile – while interior inlays are aluminium.

(f) Dolby and Pro Logic II Surround Sound™ are trademarks of Dolby Laboratories Licensing Corporation.





On the road

How much will it cost to get behind the wheel of your own Volvo S60? Simply decide which model variant and engine type are right for you and then take a look at the full price list below.

S60 SE

	Basic £	VAT £	Rec Retail Price £	On the Road Price £
PETROL				
2.0T (180 PS) SE	£16,382.98	£2,867.02	£19,250.00	£19,995.00
DIESEL				
2.4D (163 PS) SE	£18,463.83	£3,231.17	£21,695.00	£22,400.00
D5 (185 PS) SE	£19,208.51	£3,361.49	£22,570.00	£23,275.00

S60 SE LUX

	Basic £	VAT £	Rec Retail Price £	On the Road Price £
PETROL				
2.0T (180 PS) SE Lux	£18,085.11	£3,164.89	£21,250.00	£21,995.00
DIESEL				
2.4D (163 PS) SE Lux	£20,165.96	£3,529.04	£23,695.00	£24,400.00
D5 (185 PS) SE Lux	£20,910.64	£3,659.36	£24,570.00	£25,275.00

S60 SE SPORT

	Basic £	VAT £	Rec Retail Price £	On the Road Price £
PETROL				
2.0T (180 PS) SE Sport	£17,234.04	£3,015.96	£20,250.00	£20,995.00
DIESEL				
2.4D (163 PS) SE Sport	£19,314.89	£3,380.11	£22,695.00	£23,400.00
D5 (185 PS) SE Sport	£20,059.57	£3,510.43	£23,570.00	£24,275.00

The right equipment

It's essential that your Volvo comes equipped with everything you need. Below you'll find the standard equipment lists for each model variant, plus optional equipment to personalise your Volvo S60. And as you'd expect, there is an array of industry-leading, cutting edge safety innovations.

STANDARD EQUIPMENT - SAFETY & SECURITY	SE	SE LUX	SE SPORT
Dual Stage Driver and Passenger Airbags	•	•	•
SIPS (Side Impact Protection System)	•	•	•
SIPS Airbags	•	•	•
IC (Inflatable Curtain)	•	•	•
WHIPS (Whiplash Protection System) (Front Seats)	•	•	•
ABS (Anti-lock Brake System) with EBD (Electronic Brake Distribution)	•	•	•
DSTC (Dynamic Stability and Traction Control) with Electronic Brake Assistance	•	•	•
5 Three Point Seat Belts	•	•	•
Seat Belt Pre-tensioners (Front and Outer Rear)	•	•	•
Head Restraints – All 5 Seats	•	•	•
ISOFIX Attachment (Rear Seats)	•	•	•
Anti-theft Alarm including Immobiliser with Panic Function and Level Sensor	•	•	•
Key Integrated Remote Control Central Locking including Fuel Flap with Deadlocking System	•	•	•
Tinted Windows	•	•	•
Water Repellent Front Side Windows	•	•	•
Mass Movement Sensor	•	•	•
Visible VIN Plate	•	•	•
Day Running Lights	•	•	•
Headlamp Levelling System	•	•	•
High Level LED Brake Light	•	•	•
Front Side Marker Illumination	•	•	•
Home Safe and Approach Lighting	•	•	•

STANDARD EQUIPMENT - EXTERIOR	SE	SE LUX	SE SPORT
17" Orestes Alloy Wheels – 225/45 R17 91W Tyres	•	•	•
18" Eudora (BBS) Alloy Wheels – 235/40 R18 Tyres	•	•	•
Locking Wheel Nuts	•	•	•
Tempa Spare Wheel	•	•	•
Active Bending Headlamps with Headlamp Cleaning System	•	•	•
Power Folding Door Mirrors	•	•	•
Power Adjustable and Heated Door Mirrors	•	•	•
Door Mirror Ground Lights	•	•	•
Front Fog Lights	•	•	•
Rain Sensor – Automatic Windscreen Wiper Activation	•	•	•
Front Spoiler	•	•	•
Rear Spoiler	•	•	•
Dynamic Chassis	•	•	•
Towbar preparation	•	•	•
Colour Co-ordinated Bumpers and Door Mirrors	•	•	•
Colour Co-ordinated Front and Rear Lower Spoilers and Lower Side Mouldings	•	•	•
Chrome Trim in Front and Rear Bumper Mouldings	•	•	•
Rear Park Assist	•	•	•

STANDARD EQUIPMENT - INTERIOR	SE	SE LUX	SE SPORT
ECC (Electronic Climate Control) with AQS (Air Quality System) and Pollen Filter	•	•	•
B Pillar Ventilation	•	•	•
Information Centre	•	•	•
Exterior Temperature Gauge	•	•	•
Cruise Control	•	•	•
Speed Dependent Steering System	•	•	•
Front and Rear Power Windows	•	•	•
Illuminated Driver and Passenger Vanity Mirrors	•	•	•
Front and Rear Reading Lights	•	•	•
Autodimming Rear View Mirror with Compass	•	•	•
Front Centre Armrest	•	•	•
Cupholder in Dashboard ⁽ⁱ⁾ , Two Cupholders in Tunnel Console ⁽ⁱⁱ⁾	•	•	•
Grocery Bag Holder	•	•	•
Rear Waste Bag/Bottle Holder	•	•	•
Power Driver's Seat with Memory and Door Mirror Memory	•	•	•
Power Driver and Passenger Seats with Driver's Memory and Door Mirror Memory	•	•	•
Heated Front Seats	•	•	•
Height Adjustable Driver and Passenger Seats	•	•	•
Forward Folding Front Passenger Seat	•	•	•
Asymmetric Split-folding Rear Seat (60%/40%)	•	•	•
Leather Steering Wheel, Gear Knob and Handbrake Lever	•	•	•
Leather Sports Steering Wheel, Space Ball Gear Knob (manual) and Leather Sports Handbrake Lever	•	•	•
Steering Wheel Remote Audio Controls	•	•	•
Height and Reach Adjustable Steering Column	•	•	•
Illuminated Ignition Lock	•	•	•
Chronograph Instrument Dials	•	•	•
Mesh Aluminium Trim	•	•	•
Walnut Wood Trim	•	•	•
Svängen Textile/Vinyl Sports Upholstery	•	•	•
Nordborg Textile/Leather Sports Upholstery	•	•	•
Leather-faced Sports Upholstery	•	•	•
Luxury Floor Mats	•	•	•
High Performance Sound Audio System HU-650 RDS 6 x CD/Radio with Dolby Pro Logic II Surround Sound ⁽ⁱⁱⁱ⁾ , 4 x 50W Amplifier and 9 Speakers	•	•	•
Premium Sound Audio System HU-850 RDS 6 x CD/Radio with Dolby Pro Logic II Surround Sound ⁽ⁱⁱⁱ⁾ , 4 x 75W Amplifier and 13 Speakers	•	•	•
Electronic Accessory Preparation	•	•	•

(i) Cupholder in Dashboard is removed when Dual Band Integrated GSM Telephone is ordered.

(ii) Two Cupholders in Tunnel Console are removed when Front and Rear Ashtray, Cupholder in Tunnel Console and Front Cigarette Lighter are ordered.

(iii) Dolby and Pro Logic II Surround Sound[™] are trademarks of Dolby Laboratories Licensing Corporation.



OPTIONAL EQUIPMENT – SAFETY & SECURITY	Basic £	VAT £	Rec Retail Price £	SE	SE LUX	SE SPORT
BLIS (Blind Spot Information System) with Power Folding Door Mirrors	£553.19	£96.81	£650.00	o	u (£450)	o
Passenger Airbag Cut Off Switch	£21.28	£6.72	£25.00	o	o	o
Laminated Water Repellent Side Windows	£255.32	£44.68	£300.00	o	o	o
Integrated Child Seat (Rear Centre Armrest)	£110.64	£19.36	£130.00	o	o	o

OPTIONAL EQUIPMENT – EXTERIOR	Basic £	VAT £	Rec Retail Price £	SE	SE LUX	SE SPORT
Black Paint (Solid)	£212.77	£37.23	£250.00	o	o	o
Metallic/Pearlescent Paint	£468.09	£81.91	£550.00	o	o	o
Inscription™ Paint	£659.57	£115.43	£775.00	o	o	o
17" Orpheus Alloy Wheels – 225/45 R17 91W Tyres	–	–	–	nco	nco	n/a
17" Thor Alloy Wheels – 225/45 R17 90W Tyres	–	–	–	nco	nco	n/a
17" Tucana Alloy Wheels – 225/45 R17 94V Tyres	–	–	–	nco	nco	n/a
Power Folding Door Mirrors	£170.21	£29.79	£200.00	o	●	o
Rear Park Assist	£297.87	£52.13	£350.00	o	●	o
Active Four-C Chassis (Continuously Controlled Chassis Concept)	£936.17	£163.83	£1,100.00	o	o	o

OPTIONAL EQUIPMENT – INTERIOR	Basic £	VAT £	Rec Retail Price £	SE	SE LUX	SE SPORT
Automatic Transmission (2.0T only)	£1,063.83	£186.17	£1,250.00	o	o	o
Geartronic Transmission (2.4D & D5 only)	£1,191.49	£208.51	£1,400.00	o	o	o
Speed Dependent Steering System	£191.49	£33.51	£225.00	o	o	●
Power Glass Tilt & Slide Sunroof	£723.40	£126.60	£850.00	o	o	o
Front and Rear Ashtray, Cupholder and Front Cigarette Lighter ⁽ⁱ⁾	–	–	–	nco	nco	nco
Mesh Aluminium Trim	–	–	–	●	nco	●
Leather-faced Sports Upholstery	£1,106.38	£193.62	£1,300.00	o	●	u (£650)
Premium Sound Audio System HU-850 RDS 6 x CD/Radio with Dolby Pro Logic II Surround Sound™ ⁽ⁱⁱ⁾ , 4 x 75W Amplifier and 13 Speakers	£212.77	£37.23	£250.00	o	●	o
RTI Navigation System with RDS-TMC, Remote Control with Europe DVD Maps	£1,574.47	£275.53	£1,850.00	o	o	o
Dual Band Integrated GSM Telephone with Coinholder ⁽ⁱⁱⁱ⁾ and Volvo On Call ^(iv)	£680.85	£119.15	£800.00	o	o	o

	Basic £	VAT £	Rec Retail Price £	SE	SE LUX	SE SPORT
WINTER PACK						
Heated Front Seats, Headlamp Cleaning System and Luxury Floor Mats	£212.77	£37.23	£250.00	o	●	o
Winter Pack with Active Bending Headlamps	£680.85	£119.15	£800.00	o	n/a	n/a
FAMILY PACK						
Integrated Child Seat (Rear Centre Armrest) and Sun Curtain (Rear Shelf)	£148.94	£26.06	£175.00	o	o	o
COMMUNICATIONS PACK						
Dual Band Integrated GSM Telephone with Coinholder ⁽ⁱⁱⁱ⁾ and Volvo On Call ^(iv)	£1,702.13	£297.87	£2,000.00	o	o	o

● = Standard, o = option, n/a = not available, nco = no cost option, u (£) = upgrade.

(i) Two Cupholders in Tunnel Console are removed when Front and Rear Ashtray, Cupholder in Tunnel Console and Front Cigarette Lighter are ordered.

(ii) Dolby and Pro Logic II Surround Sound™ are trademarks of Dolby Laboratories Licensing Corporation.

(iii) Cupholder in Dashboard is removed when Dual Band Integrated GSM Telephone with Coinholder and Volvo On Call are ordered.

(iv) Volvo On Call includes Safety package (Security package available at additional cost).





What's your style?

At Volvo we know everyone is different. And that's why you can choose from a whole spectrum of colours for the exterior of your Volvo S60. Whatever your style, you'll find the perfect shade for you.



019 Black Stone



426 Silver metallic



452 Black Sapphire metallic



455 Titanium Grey pearl



466 Barents Blue pearl



467 Magic Blue pearl



477 Inscription™ Electric Silver Coarse Flake metallic



478 Maple Red pearl



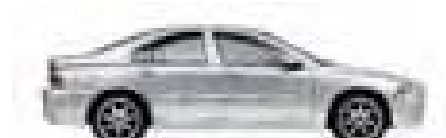
479 Orinoco Blue metallic



489 Matt Gold pearl



612 Passion Red



614 Ice White

NB It is not possible to reproduce exact original shades in printed matter. Please ask your Volvo dealer to show you samples.

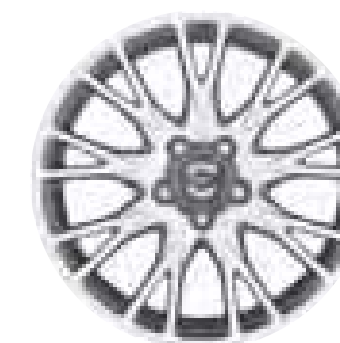
The wheels

And now we come to one of the most important parts of choosing your new Volvo S60. Volvo alloy wheels come in a variety of different styles, cuts and finishes – each with its own distinct character.

Your selection of alloy wheel can dramatically influence the exterior styling of your Volvo S60. What will you choose?



17" Tucana



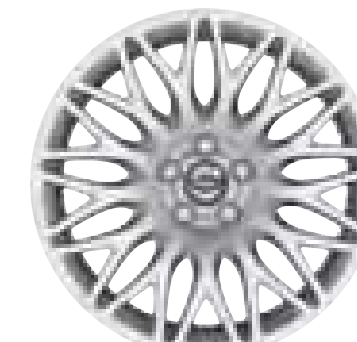
17" Orpheus



17" Orestes



17" Thor



18" Eudora



Bespoke tailoring from Volvo

The finest fabrics, superb stitching and minute attention to detail – whichever interior you choose for your Volvo S60 you'll be surrounded by luxury. How will you tailor yours?

SVANGEN TEXTILE/VINYL SPORTS



Off Black (9270)⁽ⁱ⁾



Oak (9280)⁽ⁱⁱ⁾

NORDBORG TEXTILE/LEATHER SPORTS



Off Black (9G70)



Arena (9G81)

LEATHER-FACED SPORTS



Light Sand (9A51)



Off Black (9A70)



Arena (9A81)

NB For full colour breakdown of upholstery and interior, please refer to the upholstery section below.

UPHOLSTERY	Upholstery Code	Upholstery Colour	Dashboard Top/ Door Panel Colour	Door Insert Colour	Headliner Colour
Svngen Textile/ Vinyl Sports	9270	Off Black	Off Black	Off Black	Granite
	9280	Oak	Oak	Oak	Arena
Nordborg Textile/ Leather Sports	9G70	Off Black	Off Black	Off Black	Granite
	9G81	Arena	Oak	Arena	Arena
Leather-faced Sports	9A51	Light Sand	Beige	Light Sand	Light Sand
	9A70	Off Black	Off Black	Off Black	Granite
	9A81	Arena	Oak	Arena	Arena

(i) In combination with the Volvo Premium Sound loudspeaker system, the front door sides are trimmed in Off Black vinyl.

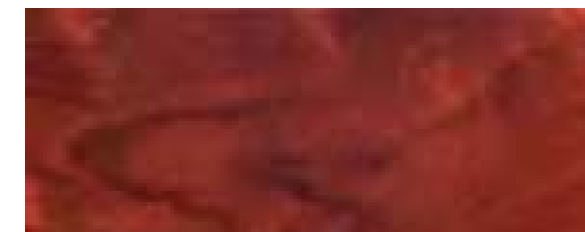
(ii) In combination with the Volvo Premium Sound loudspeaker system, the front door sides are trimmed in Oak vinyl.

NB It is not possible to reproduce exact original shades in printed matter.



Interior inlays

A selection of premium materials to complement your interior fabric.



Walnut Wood



Mesh Aluminium

NB It is not possible to reproduce exact original shades in printed matter.

In fine detail

The nuts and bolts of your Volvo S60. Whatever you need to know about your new car – whether that's fuel consumption, CO₂ emissions, top speed or boot space – you'll find it here.



ENGINE		2.0T	2.4D	D5
Configuration		Transverse – 20 valve	Transverse – 20 valve	Transverse – 20 valve
Cylinders		5	5	5
Engine capacity, cc		1984	2400	2400
Bore x stroke, mm		81 x 77	81 x 93.1	81 x 93.1
Max. output ECE,	PS	180	163	185
	kw	132	120	136
	rpm	5500	4000	4000
Max. torque ECE,	Nm	240	340	400
	rpm	1850-5000	1750-2750	2000-2750
Octane rating		95-98 ⁽ⁱⁱⁱ⁾ RON unleaded	Turbo Diesel	Turbo Diesel
Fuel system		Multipoint fuel injection	Common Rail direct injection	Common Rail direct injection
Compression ratio		9.5:1	17.3:1	17.3:1

PERFORMANCE		2.0T	2.4D	D5
Top speed, mph	Man	140	130	143
	Auto	134	130	140
Acceleration 0-60mph, sec	Man	8.2	8.9	7.6
	Auto	8.9	9.3	8.1
0-62mph (0-100kmh), sec	Man	8.8	9.2	8.2
	Auto	9.5	9.7	8.7
Drag co-efficient		0.28	0.28	0.28

FUEL CONSUMPTION ^{(i) (ii)}			2.0T	2.4D	D5
Urban	Man	mpg (l/100km)	22.8 (12.4)	31.4 (9.0)	31.4 (9.0)
	Auto	mpg (l/100km)	20.6 (13.7)	27.7 (10.2)	27.7 (10.2)
Extra Urban	Man	mpg (l/100km)	40.9 (6.9)	54.3 (5.2)	54.3 (5.2)
	Auto	mpg (l/100km)	39.8 (7.1)	47.1 (6.0)	47.1 (6.0)
Combined	Man	mpg (l/100km)	31.7 (8.9)	42.8 (6.6)	42.8 (6.6)
	Auto	mpg (l/100km)	29.7 (9.5)	37.7 (7.5)	37.7 (7.5)
CO ₂ g/km	Man		212	174	174
	Auto		227	199	199
VED (Vehicle Excise Duty) Band	Man		F	E	E
	Auto		G	F	F

WEIGHTS	2.0T		2.4D		D5	
	Man	Auto	Man	G/t	Man	G/t
Min. kerb weight, kg (actual kerb weight dependent on spec.)	1555	1586	1603	1620	1600	1624
Max. possible towing weight braked, kg	1600	1600	1600	1600	1600	1600
Max. towing weight unbraked approx, kg ^(iv)	750	750	750	750	750	750
Max. towball weight, kg	75	75	75	75	75	75
Max. total weight, kg	2010	2030	2030	2050	2030	2050
Max. roof load, kg	100	100	100	100	100	100
Max. payload, kg (dependent on spec.)	455	444	427	430	430	426

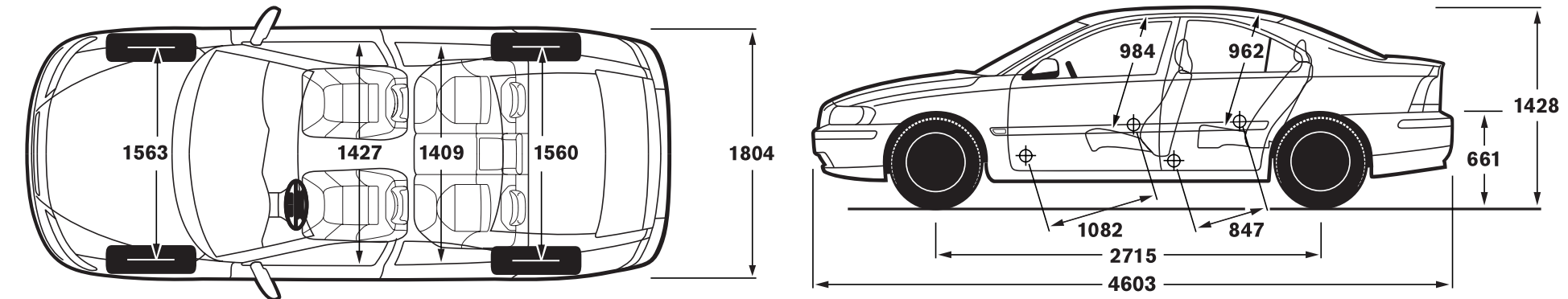
LUGGAGE COMPARTMENT	All models
Volume, litres (cu. ft)	394 (13.9)
Volume, rear seats down, litres (cu.ft)	808 (28.5)

POWER STEERING SYSTEM	All models
(rack & pinion) Turning Circle, m (ft) 205 – 235 (16" – 18") Section Tyres	11.8 – 12.0 (38' 9" – 39' 4")

		2.0T	2.4D	D5
Brakes	Disc Diameter Front, mm	16" – 305 Ventilated 288	15" – 286 Ventilated 288	15" – 286 Ventilated 288
	Disc Diameter Rear, mm			
Transmission	Manual	5 speed	6 speed	6 speed
	Automatic Geartronic	5 speed –	– 6 speed	– 6 speed
Fuel Tank Volume	litres (gallons)	70 (15.4)	70 (15.4)	70 (15.4)

INSURANCE GROUPS	2.0T	2.4D	D5
Volvo S60	15E	15E	16E

E = Exceeds security requirements for model concerned and group rating has been reduced.



- (i) These results do not express or imply any guarantee of the fuel consumption of a particular car as there are inevitable differences between individual cars of the same model. Additionally driving style, traffic conditions, as well as the age and mileage and standard of maintenance will affect a car's fuel consumption.
- (ii) The Urban fuel consumption figure is based on typical city driving, including starting the car from cold. The Extra Urban figure is based on typical motorway driving and cruising. The Combined figure averages the consumption across both cycles.
- (iii) For best performance and lowest fuel consumption 98 RON is recommended. 95 RON can be used for normal driving.
- (iv) Unbraked towing weight must not exceed 50% of kerb weight up to a maximum of 750 kg.

Notes

The weight of the vehicle will influence the level of CO₂ emitted. As a result, vehicles with higher levels of specification and factory fit options may emit higher levels of CO₂. Once a vehicle has been built it will be given its own specific CO₂ emission on which the Vehicle Excise Duty will be charged.

A weighbridge must be used to determine specific weights.

Data valid for manual transmission unless specified.

All measurements in mm.

G/t = Geartronic

The Max. output figures are quoted in PS (Pferdestärke), which is the metric equivalent of brake horsepower.

NB Some of the information in this price list may not be correct due to product changes which may have occurred since it was printed. Some of the equipment described or shown may now be available at extra cost. Before ordering, please ask your Volvo dealer for the latest information. The manufacturer reserves the right to make changes at any time, without notice, to price, colour, materials, specifications and models.

Volvo Car UK Limited, Globe Park, Marlow, Buckinghamshire, SL7 1YQ

Accessories from Volvo

Of course, your Volvo S60 won't be perfect until it's exactly how you want it. And that's why we offer a range of accessories so you can completely personalise your new car. **The prices quoted below exclude fitting costs and are correct at time of going to press** – please confirm the total cost with your local Volvo dealer.

ACCESSORIES	Basic £	VAT £	Rec Retail Price £
EXTERIOR ACCESSORIES			
Aluminium Bike Rack (down tube clamp)	£52.09	£9.12	£61.21
Bike Rack (servo lift)	£82.47	£14.43	£96.90
Load Carrier (different models available) ...from	£69.70	£12.20	£81.90
Mud Flaps (front)	£21.70	£3.80	£25.50
Mud Flaps (rear)	£21.70	£3.80	£25.50
Roofbox – Sport Time 200 (440 litre volume) ⁽ⁱ⁾	£153.56	£26.87	£180.43
Towbar – Detachable type with 13 Pin Electrics	£510.64	£89.36	£600.00
Rear Park Assist and Front Park Assist ...price for each from	£145.32	£25.43	£170.75
Rear Spoiler	£126.22	£22.09	£148.31
INTERIOR ACCESSORIES			
Garmin Portable Sat Nav	£310.64	£54.36	£365.00
Boot Mat – textile/rubber reversible	£72.73	£12.73	£85.46
Cooler/Hot Box (excludes power cable)	£69.46	£12.16	£81.62
Sun Glasses Holder	£18.58	£3.25	£21.83
Bluetooth® Hands-free Phone System ...from	£173.67	£30.39	£204.06
Load Liner – form moulded plastic	£73.79	£12.91	£86.70
Rubber Floor Mats (set of four)	£41.26	£7.22	£48.48
Sunblind – rear door windows (pair)	£25.79	£4.51	£30.30
Sunblind – rear window	£42.98	£7.52	£50.50
Table (rear centre armrest)	£17.36	£3.04	£20.40
CHILD SEATS			
Child Seat ISOFIX ⁽ⁱⁱ⁾	£124.90	£6.25	£131.15
Infant Seat ISOFIX ⁽ⁱⁱ⁾	£88.16	£4.41	£92.57
Child Booster Cushion	£30.09	£5.27	£35.36
Child Booster Backrest (to go with above)	£30.09	£5.27	£35.36
Padded Upholstery – for booster seat and headrest	£52.06	£9.11	£61.17

(i) Other roofboxes available – please ask your dealer for details.

(ii) VAT on Child Seats is 5%.

For further information and a complete list of all Volvo Accessories, take a look at the Accessory website at www.volvocars.co.uk/accessories or visit your local Volvo dealer.

Try an S60 for yourself with Volvo Rental

Why not hire a Volvo S60 – or any other Volvo – from Volvo Rental? You'll be guaranteed to drive a Volvo prepared to the highest standards by your local Volvo dealer. Call 0800 400 430 for more information today.



The end is just the beginning

It's a simple idea; one point of contact for all your car ownership needs – whether it's about finding the right finance deal or who to contact in an emergency. To get the most out of owning your Volvo, trust Care by Volvo.

MAKING LIFE EASIER

Owning a Volvo should be a safe and enjoyable experience. To ensure it stays that way, we're committed to providing you with the best in support for as long as you own one.

STARTING OFF ON THE RIGHT FOOT

You might be surprised how easy and flexible financing can be. Our range of finance, service and insurance options allows you to budget around one key factor – your lifestyle.

FINANCE

As part of Volvo, Volvo Car Finance has developed a series of funding plans that will provide you with maximum choice and flexibility when acquiring a Volvo®. For details of the current promotions available, please visit www.volvocars.co.uk/financepromotions

INSURANCE

Volvo Owners Insurance is designed for Volvo drivers and because we know Volvos inside out, we can offer exactly the right tools and expertise, fitting only genuine Volvo parts by trained Volvo technicians⁽ⁱⁱ⁾. Because Volvo drivers have an excellent reputation, we can also offer extensive cover at a reasonable price⁽ⁱⁱⁱ⁾.

Call now for your insurance quote on **0800 238 239**, quoting reference BROCH.



WHAT NEXT? If you'd like to find out more about the range of products and services that make up Care by Volvo, the story continues at www.volvocars.co.uk. Alternatively you can contact your nearest Volvo dealer or request relevant brochures.

(i) Finance subject to status. Guarantees/indemnities may be required. Volvo Car Finance SL7 1YQ.

(ii) When using a Volvo approved repairer.

(iii) Volvo Owners Insurance is underwritten by Royal & Sun Alliance Insurance plc (No. 93792). Registered in England and Wales at St Mark's Court, Chart Way, Horsham, West Sussex RH12 1XL. Authorised and regulated by the Financial Services Authority. For your protection telephone calls will be recorded and may be monitored. All benefits are subject to qualifying status, terms and conditions, cover level and underwriting criteria. Service and repair benefits are subject to being carried out by a recommended repairer.

SERVICE PROGRAMME

Your Volvo dealer has the unique know-how to tailor a service programme according to Volvo's strict recommendations and guarantees you years of safety and driving pleasure.

VOLVO ON CALL

Subscribe to Volvo On Call and you'll never be completely on your own. It's a GPS-based communication system providing 24-hour access to both emergency and roadside assistance wherever you are. See the Volvo On Call brochure for more information.

LOOKING AHEAD

You'll probably never find out just how good some of these services are. But should the unexpected happen, we'd like to think that you'd be even happier you chose a Volvo.

ROADSIDE ASSISTANCE

Every new car comes with one year's Volvo Assistance cover. You'll enjoy free breakdown and recovery assistance, anywhere in Europe, 24 hours a day. You can even extend cover for £85 for one year or £155 for two years. Call Volvo Assistance on **08701 650 978**.

WARRANTY

Every new Volvo comes with comprehensive protection. Our warranty covers the first three years or 60,000 miles, whichever comes first. There's a three year unlimited mileage warranty on the paintwork, and either eight or twelve years against rust perforation. If a component fails due to a defect or material fault, your dealer will swiftly rectify the problem, free of charge.

Volvo. for life

For tax free sales, including Military, Diplomat and all other Export enquiries, contact Volvo Car UK Tourist & Diplomat Sales or Volvo Car UK British Military Sales on **01707 262 388** or e-mail to vcukics@volvocars.com or bms@volvocars.com

All 'On The Road' prices quoted in this price list include Volvo standard national delivery charge, inclusive of number plates at £480 and the VED (Vehicle Excise Duty) car tax. The 'On The Road' price also includes a £55 vehicle first registration fee (as set by the government – excludes Channel Islands and Isle of Man). Retail prices quoted do not include these additions.

NB Some of the information in this price list may not be correct due to product changes which may have occurred since it was printed. Before ordering, please ask your Volvo dealer for the latest information. The manufacturer reserves the right to make changes at any time, without notice, to prices, colour, materials, specifications and models.