

THE NEW VOLVO S40 PRICING



THE NEW VOLVO S40

The Volvo saloon resemblance is all there – from the distinctive black egg-crate grille and V-shaped bonnet to the full-length pronounced shoulders and tightly sculpted rear with distinctive tail lights. The Volvo S40 saloon is clearly part of the family.

The youthful nature and dynamic performance of this Volvo has encouraged a revolutionary approach to interior layout with a central control unit influenced heavily by contemporary high-end technology design. A world first, the floating centre stack co-locates the audio and climate controls in the style of a remote control unit for a high-tech audio system and creates a spacious feeling of reassuring simplicity.



Starting with a decorative aluminium inlay and dark sports floor mats with contrasting piping, the interior is an aesthetic adrenaline kick. A unique leather steering wheel, sports pedals, and gear knob with aluminium inserts feel great to the touch. Unique upholstery with embossed logo is in Off Black T-Tec with contrasting cream leather. Blue instrument dials complete the interior detail. The attractive exterior styling includes a sports bodykit, rear spoiler, alloy wheels, front grille with logo and side mirror caps in a silver matt finish.

FLEXIFUEL

Choosing a Volvo S40 Flexifuel can help reduce fossil carbon dioxide emissions without having to compromise on either performance or comfort. Running on E85 bio-ethanol or regular petrol, a Volvo Flexifuel offers total flexibility.










CHOOSE YOUR VOLVO	2-3
STANDARD AND OPTIONAL EQUIPMENT	4-5
ACCESSORIES & INTERIOR	6
UPHOLSTERY	7
TECHNICAL SPECIFICATION	8-9
CHOOSE YOUR COLOUR	10
CARE BY VOLVO	11

		Basic £	VAT £	Rec Retail Price £	On the Road Price £	
S	The comprehensive specification includes ECC (Electronic Climate Control), 16" Ceryx alloy wheels, DSTC (Dynamic Stability and Traction Control), power windows, leather steering wheel, 6-speaker radio/CD system and auxilliary input for MP3 Player.	PETROL				
		1.6 S	£11,110.64	£1,944.36	£13,055.00	£13,750.00
		1.8 S	£13,021.28	£2,278.72	£15,300.00	£15,995.00
		DIESEL				
		1.6D S	£13,744.68	£2,405.32	£16,150.00	£16,795.00
		2.0D S	£14,574.47	£2,550.53	£17,125.00	£17,795.00
SE	The SE model brings added luxury to the Volvo S40 saloon. 17" Zaurak alloy wheels, rain sensor, info centre, cruise control and a choice of interior inlays are just some of the standard SE features.	PETROL				
		1.8 SE	£14,297.87	£2,502.13	£16,800.00	£17,495.00
		2.0 SE	£15,148.94	£2,651.06	£17,800.00	£18,495.00
		2.4i SE ⁽ⁱ⁾	£15,965.96	£2,794.04	£18,760.00	£19,495.00
		DIESEL				
		1.6D SE	£15,021.28	£2,628.72	£17,650.00	£18,295.00
		2.0D SE	£15,851.06	£2,773.94	£18,625.00	£19,295.00
		D5 Geartronic SE	£18,382.98	£3,217.02	£21,600.00	£22,295.00
		FLEXIFUEL				
1.8F SE	£14,553.19	£2,546.81	£17,100.00	£17,795.00		
SE LUX	The most luxurious version offers leather-faced upholstery, heated front seats, luxury floor mats and Nordic Light Oak trim whilst 17" Spartacus alloy wheels, power folding door mirrors with ground lights and a headlamp cleaning system identify this model from the outside.	PETROL				
		2.0 SE Lux	£16,425.53	£2,874.47	£19,300.00	£19,995.00
		2.4i SE Lux ⁽ⁱ⁾	£17,242.55	£3,017.45	£20,260.00	£20,995.00
		T5 SE Lux	£18,944.68	£3,315.32	£22,260.00	£22,995.00
		DIESEL				
		2.0D SE Lux	£17,127.66	£2,997.34	£20,125.00	£20,795.00
		D5 Geartronic SE Lux	£19,659.57	£3,440.43	£23,100.00	£23,795.00
R-DESIGN SPORT	The striking exterior lines are enhanced with 17" Serapis alloy wheels with full bodykit and logo on the grille. The unique interior design is complemented with embossed Leather/T-Tec upholstery, sports steering wheel and unique aluminium inlay.	PETROL				
		1.6 R-Design Sport	£13,536.17	£2,368.83	£15,905.00	£16,600.00
		1.8 R-Design Sport	£14,595.74	£2,554.26	£17,150.00	£17,845.00
		2.0 R-Design Sport	£15,446.81	£2,703.19	£18,150.00	£18,845.00
		T5 R-Design Sport	£17,965.96	£3,144.04	£21,110.00	£21,845.00
		DIESEL				
		1.6D R-Design Sport	£15,319.15	£2,680.85	£18,000.00	£18,645.00
		2.0D R-Design Sport	£16,148.94	£2,826.06	£18,975.00	£19,645.00
		D5 Geartronic R-Design Sport	£18,680.85	£3,269.15	£21,950.00	£22,645.00
		FLEXIFUEL				
1.8F R-Design Sport	£14,851.06	£2,598.94	£17,450.00	£18,145.00		
R-DESIGN SE SPORT	This model combines the luxury features of the SE with the unique R-DESIGN interior details and the dramatic exterior sporty bodykit and 18" Medusa alloy wheels.	PETROL				
		2.0 R-Design SE Sport	£16,851.06	£2,948.94	£19,800.00	£20,495.00
		T5 R-Design SE Sport	£19,370.21	£3,389.79	£22,760.00	£23,495.00
		DIESEL				
		2.0D R-Design SE Sport	£17,553.19	£3,071.81	£20,625.00	£21,295.00
D5 Geartronic R-Design SE Sport	£20,085.11	£3,514.89	£23,600.00	£24,295.00		

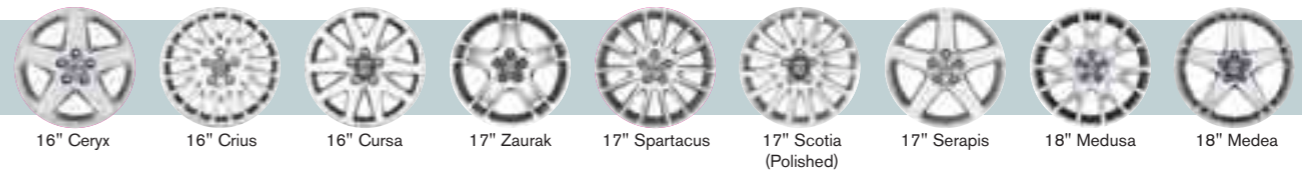
(i) Geartronic Transmission is available at no cost

STANDARD EQUIPMENT

WITH ALL OF THIS AS STANDARD, YOU CAN BE SURE YOU'LL BE WELL EQUIPPED FOR LIFE IN YOUR VOLVO.

	S	SE	SE LUX	SPORT	SE SPORT
SAFETY & SECURITY					
Dual Stage Driver and Passenger Airbags	•	•	•	•	•
SIPS (Side Impact Protection System)	•	•	•	•	•
SIPS Airbags	•	•	•	•	•
IC (Inflatable Curtain)	•	•	•	•	•
WHIPS (Whiplash Protection System) (Front Seats)	•	•	•	•	•
ABS (Anti-lock Brakes) with EBD (Electronic Brake Distribution) and Electronic Brake Assistance	•	•	•	•	•
DSTC (Dynamic Stability and Traction Control)	•	•	•	•	•
5 Three Point Seat Belts	•	•	•	•	•
Seat Belt Pre-tensioners (Front and Outer Rear)	•	•	•	•	•
Head Restraints – All 5 Seats	•	•	•	•	•
ISOFIX Attachment (Rear Seats)	•	•	•	•	•
Anti-theft Alarm including Immobiliser and Level Sensor	•	•	•	•	•
Key Integrated Remote Control Central Locking including Fuel Flap with Deadlocking System	•	•	•	•	•
Auto Open/Close Windows (including Sunroof)	•	•	•	•	•
Tinted Windows	•	•	•	•	•
Water Repellent Side Windows	•	•	•	•	•
Visible VIN Plate	•	•	•	•	•
Day Running Lights	•	•	•	•	•
Headlamp Levelling System	•	•	•	•	•
High Level LED Brake Light	•	•	•	•	•
Side Marker Illumination	•	•	•	•	•
Home Safe and Approach Lighting	•	•	•	•	•
IDIS (Intelligent Driver Information System)	•	•	•	•	•
INTERIOR					
ECC (Electronic Climate Control) with AQS (Air Quality System) and Pollen Filter	•	•	•	•	•
Exterior Temperature Gauge	•	•	•	•	•
Information Centre	•	•	•	•	•
Cruise Control	•	•	•	•	•
Front and Rear Power Windows	•	•	•	•	•
Illuminated Driver and Passenger Vanity Mirrors	•	•	•	•	•
Front and Rear Reading Lamps	•	•	•	•	•
Autodimming Rear View Mirror with Humidity Sensor	•	•	•	•	•
Rear Centre Armrest with Twin Cupholders and Storage	•	•	•	•	•
Front Storage Box with Removable Cupholders	•	•	•	•	•
Grocery Bag Holder	•	•	•	•	•
Rear 12v Socket	•	•	•	•	•
Rear Waste Bag/Bottle Holder	•	•	•	•	•
Power Driver's Seat with Seat Memory	•	•	•	•	•
Heated Front Seats	•	•	•	•	•
Forward Folding Front Passenger Seat	•	•	•	•	•
Height Adjustable Passenger Seat with Lumbar Support	•	•	•	•	•
Asymmetric Split-folding Rear Seat (60%/40%)	•	•	•	•	•
Front Centre Armrest	•	•	•	•	•
Leather Steering Wheel, Gear Knob and Handbrake Lever	•	•	•	•	•
 Leather Sports Steering Wheel with Aluminium Inserts and Logo	•	•	•	•	•
 Sports Gear Knob with Aluminium Inserts and Leather Handbrake Lever	•	•	•	•	•
Steering Wheel Remote Audio Controls	•	•	•	•	•
 Blue Instrument Dials	•	•	•	•	•
Height and Reach Adjustable Steering Column	•	•	•	•	•
Bauxite Trim	•	•	•	•	•
Aluminium Trim	•	•	•	•	•
Nordic Light Oak Trim	•	•	•	•	•
 Deco Aluminium Trim	•	•	•	•	•
Boda Textile Upholstery	•	•	•	•	•
Dalarö T-Tec Upholstery	•	•	•	•	•
Leather-faced Upholstery	•	•	•	•	•
 Leather/T-Tec Upholstery with Logo	•	•	•	•	•
Luxury Floor Mats	•	•	•	•	•
 Sports Floor Mats with Contrasting Piping	•	•	•	•	•
 Aluminium Sports Pedals	•	•	•	•	•
Performance Sound Audio System – CD/Radio, 4 x 20W Amplifier and 6 Speakers	•	•	•	•	•
Aux Input for MP3 Player	•	•	•	•	•
EXTERIOR					
16" Ceryx Alloy Wheels – 205/55 R16 W Tyres	•	•	•	•	•
17" Zaurak Alloy Wheels – 205/50 R17 W Tyres	•	•	•	•	•
17" Spartacus Alloy Wheels – 205/50 R17 W Tyres	•	•	•	•	•
17" Serapis Alloy Wheels (Matt) – 205/50 R17 W Tyres	•	•	•	•	•
18" Medusa Alloy Wheels – 215/45 R18 W Tyres	•	•	•	•	•
Locking Wheel Nuts	•	•	•	•	•
Tyre Sealant Kit	•	•	•	•	•
Headlamp Cleaning System	•	•	•	•	•
Front Fog Lights	•	•	•	•	•
Power Folding Door Mirrors with Ground Lights	•	•	•	•	•
 Silver Matt Door Mirrors	•	•	•	•	•
Power Adjustable and Heated Door Mirrors	•	•	•	•	•
Speed Dependent Interval Wiper Function	•	•	•	•	•
 Silver Matt Grille with Logo	•	•	•	•	•
Rain Sensor – Automatic Windscreen Wiper Activation	•	•	•	•	•
Comfort Chassis (Sport/SE Sport Models – 1.6/1.8/1.8F/2.0/1.6D only)	•	•	•	•	•
Dynamic Chassis (SE Lux Models – T5 only) (Sport/SE Sport – T5/2.0D/D5 only)	•	•	•	•	•
Rally Bar (Front Strut Stiffener)	•	•	•	•	•
Rear Lip Spoiler (T5 and D5 only)	•	•	•	•	•
Full Bodykit (Front and Rear Spoilers and Side Skirts)	•	•	•	•	•
Bodycolour Lower Mouldings	•	•	•	•	•
Full Body Coloured Side Mouldings	•	•	•	•	•

	Basic £	VAT £	Rec Retail Price £	S	SE	SE LUX	SPORT	SE SPORT
SAFETY & SECURITY								
BLIS (Blind Spot Information System)	£553.19	£96.81	£650.00	o	o	u (£450)	o	o
with Power Folding Door Mirrors and Ground Lights								
Passenger Airbag Cut Off Switch	£21.28	£3.72	£25.00	o	o	o	o	o
Laminated Water Repellent Side Windows	£331.91	£58.09	£390.00	o	u (£300)	u (£300)	o	u (£300)
INTERIOR								
Basic £		VAT £	Rec Retail Price £					
Geartronic Transmission – T5 only (std D5, nco 2.4i)	£1,063.83	£186.17	£1,250.00	n/a	o	o	o	o
Information Centre	£161.70	£28.30	£190.00	o	•	•	o	•
Cruise Control	£204.26	£35.74	£240.00	o	•	•	•	•
Keyless Drive	£297.87	£52.13	£350.00	o	o	o	o	o
Power Glass Tilt and Slide Sunroof	£595.74	£104.26	£700.00	o	o	o	o	o
Sun Curtain (Rear Shelf – Manual)	£85.11	£14.89	£100.00	o	o	o	o	o
Autodimming Rear View Mirror with Compass and Humidity Sensor	£212.77	£37.23	£250.00	o	u (£50)	u (£50)	o	u (£50)
Front and Rear Ashtray with Cigarette Lighter	-	-	-	nco	nco	nco	nco	nco
Grocery Bag Holder ⁽ⁱ⁾	£55.32	£9.68	£65.00	o	•	•	o	•
Rear 12V Socket	£21.28	£3.72	£25.00	o	•	•	o	•
Power Driver's Seat with Seat Memory	£468.09	£81.91	£550.00	o	o	•	o	o
Power Driver and Passenger Seats (with Driver's Seat Memory)	£936.17	£163.83	£1,100.00	o	o	u (£550)	o	o
Aluminium Trim	£212.77	£37.23	£250.00	o	•	nco	n/a	n/a
Virtual White Trim	£212.77	£37.23	£250.00	o	nco	nco	n/a	n/a
Nordic Light Oak Trim	£212.77	£37.23	£250.00	n/a	o	•	n/a	n/a
Leather-faced Upholstery	£1,021.28	£178.72	£1,200.00	o	u (£600)	•	u (£500)	u (£500)
6 x CD Player (MP3/WMA Compatible) ⁽ⁱⁱ⁾	£212.77	£37.23	£250.00	o	o	o	o	o
High Performance Sound Audio System – 4 x 40W Amplifier and 8 Speakers	£212.77	£37.23	£250.00	o	o	o	o	o
Dynaudio Premium Sound Audio System – with Dolby Pro Logic II Surround Sound ⁽ⁱⁱ⁾ , 5 x 130W Amplifier, 1 x CD and 12 Speakers	£978.72	£171.28	£1,150.00	o	o	o	o	o
Steering Wheel Remote Audio Controls	£51.06	£8.94	£60.00	o	•	•	•	•
RTI Navigation System with RDS-TMC Map Data on Hard Disk ⁽ⁱⁱⁱ⁾	£1,574.47	£275.53	£1,850.00	o	o	o	o	o
Dual Band Integrated GSM Telephone ^(iv)	£425.53	£74.47	£500.00	o	o	o	o	o
EXTERIOR								
Basic £		VAT £	Rec Retail Price £					
Black Paint (Solid)	£212.77	£37.23	£250.00	o	o	o	n/a	n/a
Metallic/Pearlescent Paint	£425.53	£74.47	£500.00	o	o	o	o	o
Inscription™ Metallic Paint	£638.30	£111.70	£750.00	o	o	o	o	o
16" Ceryx Alloy Wheels – 205/55 R16 W Tyres	-	-	-	•	nco	nco	n/a	n/a
16" Crius Alloy Wheels – 205/55 R16 W Tyres	-	-	-	nco	nco	nco	n/a	n/a
16" Cursa Alloy Wheels – 205/55 R16 W Tyres	-	-	-	nco	nco	nco	n/a	n/a
17" Zaurak Alloy Wheels – 205/50 R17 W Tyres	£255.32	£44.68	£300.00	o	•	nco	n/a	n/a
17" Spartacus Alloy Wheels – 205/50 R17 W Tyres	£255.32	£44.68	£300.00	o	o	•	n/a	n/a
17" Scotia Alloy Wheels (Polished) – 205/50 R17 W Tyres	£425.53	£74.47	£500.00	o	o	o	n/a	n/a
18" Medusa Alloy Wheels – 215/45 R18 W Tyres (Not 1.6)	£255.32	£44.68	£300.00	n/a	n/a	n/a	o	•
18" Medea Alloy Wheels – 215/45 R18 W Tyres (Not 1.6)	£425.53	£74.47	£500.00	n/a	n/a	n/a	o	o
Tempa Spare Wheel ⁽ⁱ⁾	-	-	-	nco	nco	nco	nco	nco
Front Fog Lights	£153.19	£26.81	£180.00	o	•	•	•	•
Power Folding Door Mirrors with Ground Lights and Water Repellent Door Mirror Glass	£170.21	£29.79	£200.00	o	o	•	o	o
Rear Park Assist	£297.87	£52.13	£350.00	o	o	o	o	o
Rain Sensor	£123.40	£21.60	£145.00	o	•	•	o	•
WINTER PACK								
Heated Front Seats, Headlamp Cleaning System and Luxury Floor Mats	£319.15	£55.85	£375.00	o	o	•	u (£300)	u (£300)
Winter Pack with Bi-Xenon Headlamps	£723.40	£126.60	£850.00	o	o	u (£475)	u (£775)	u (£775)
Winter Pack with Active Bi-Xenon Headlamps	£829.79	£145.21	£975.00	o	o	u (£725)	u (£900)	u (£900)
FAMILY PACK								
Integrated Booster Cushions x 2, Power Child Locks and Sun Curtain (Rear Shelf, Manual)	£255.32	£44.68	£300.00	o	o	o	o	o
COMMUNICATIONS PACK								
Volvo On Call ^(iv) , Dual Band Integrated GSM Telephone, RTI Navigation System with RDS-TMC and Map Data on Hard Disk	£1,829.79	£320.21	£2,150.00	o	o	o	o	o



• = standard, o = option, n/a = not available, nco = no cost option, u (£) = upgrade.
 (i) Grocery Bag Holder is removed when Tempa Spare Wheel is ordered.
 (ii) Dolby and Pro Logic Surround Sound™ are trademarks of Dolby Laboratories Licensing Corporation.
 (iii) Must be ordered in conjunction with High Performance Sound Audio Systems.
 (iv) Volvo On Call includes Safety package (Security package available at additional cost).

OPTIONAL EQUIPMENT

IF YOU WANT THAT LITTLE BIT MORE, THESE OPTIONS CAN REALLY ENHANCE YOUR DRIVING EXPERIENCE.

ACCESSORIES	Basic £	VAT £	Rec Retail Price £
EXTERIOR ACCESSORIES (PRICES EXCLUDE FITTING UNLESS SHOWN OTHERWISE)			
Aluminium Bike Rack (down tube clamp)	£52.77	£9.23	£62.00
Bike Rack (servo lift)	£81.70	£14.30	£96.00
Load Carrier	£105.53	£18.47	£124.00
Mud Flaps Front, Mud Flaps Rear (price per pair)	£22.13	£3.87	£26.00
Roofbox – Sport Time 200 (440 litre volume) ⁽ⁱ⁾	£152.34	£26.66	£179.00
Towbar – Detachable type with 13 Pin Electrics ⁽ⁱⁱ⁾ from	£527.66	£92.34	£620.00
Rear Park Assist ⁽ⁱⁱⁱ⁾ and Front Park Assist ⁽ⁱⁱⁱ⁾ price for each from	£255.32	£44.68	£300.00
Rear Spoiler	£246.81	£43.19	£290.00
INTERIOR ACCESSORIES (PRICES EXCLUDE FITTING UNLESS SHOWN OTHERWISE)			
Boot Mat – moulded plastic or textile/rubber reversible	£73.19	£12.81	£86.00
Cooler/Hot Box (excludes power cable)	£68.94	£12.06	£81.00
Bluetooth Hands-free System from	£170.21	£29.79	£200.00
iPod Adaptor		available Q3 2007	
USB Adaptor		available Q3 2007	
Combined USB and iPod Adaptor		available Q3 2007	
Load Liner – form moulded plastic	£56.17	£9.83	£66.00
Rubber Floor Mats (set of four)	£64.68	£11.32	£76.00
Sunblind – rear door windows (pair)	£25.53	£4.47	£30.00
Table (rear centre armrest)	£17.87	£3.13	£21.00
CHILD SEATS			
Child Seat ISOFIX ^(iv)	£125.71	£6.29	£132.00
Infant Seat ISOFIX ^(iv)	£88.57	£4.43	£93.00
ISOFIX base	£92.77	£16.23	£109.00
Baby Insert (non-ISOFIX)	£28.09	£4.91	£33.00
Child Booster Cushion	£30.64	£5.36	£36.00
Child Booster Backrest (to go with above)	£30.64	£5.36	£36.00
Padded Upholstery – for booster seat and headrest	£26.38	£4.62	£31.00

Prices are correct at time of going to press – however, they are subject to change. Please check with your dealer

- (i) Other roof boxes available – please ask your dealer for details.
- (ii) Indicates total fitted price post registration. At participating dealers only. To find out who is a participating dealer contact the Volvo Helpline on 0800 400 430.
- (iii) Detachable 7 pin and fixed 13 pin and 7 pin also available – please ask your dealer for details.
- (iv) Must be ordered in conjunction with Rear Park Assist (factory fit option).
- (v) VAT on child seats is 5%.

For further information and a complete list of all Volvo Accessories, take a look at the Accessory website at www.volvocars.co.uk/accessories

UPHOLSTERY	UPHOLSTERY						
	Upholstery Code	Upholstery Colour	Dashboard Top & Upper Door Panel	Lower Door Panel, Lower Dashboard, Carpet & Tunnel Console	Floor Mats	Door Insert Colour	Headliner Colour
Boda Textile	5BE1	Quartz Beige	Dark Umbra	Quartz Beige	Quartz Beige	Quartz Beige	Quartz Beige
	5B73	Spring Green	Off Black	Off Black	Off Black	Spring Green	Quartz Beige
	5B77	Off Black	Off Black	Off Black	Off Black	Off Black	Quartz Beige
Dalarö T-Tec	5CE1	Quartz Beige	Dark Umbra	Quartz Beige	Quartz Beige	Quartz Beige	Quartz Beige
	5CE2	Umbra Brown	Dark Umbra	Quartz Beige	Quartz Beige	Umbra	Quartz Beige
	5CE9	Cacao	Dark Umbra	Quartz Beige	Cacao	Cacao	Quartz Beige
	5C71	Quartz Beige	Off Black	Off Black	Quartz Beige	Quartz Beige	Quartz Beige
	5C77	Off Black	Off Black	Off Black	Off Black	Off Black	Quartz Beige
R-DESIGN	5F7K	Off Black/Cream	Off Black	Off Black	Off Black/Cream	Off Black	Quartz Beige
Leather/T-Tec with Logo							
Leather-faced	5DE1	Quartz Beige	Dark Umbra	Quartz Beige	Quartz Beige	Quartz Beige	Quartz Beige
	5DE4	Calcite Cream	Dark Umbra	Quartz Beige	Quartz Beige	Calcite Cream	Quartz Beige
	5DE9	Cacao	Dark Umbra	Quartz Beige	Cacao	Cacao	Quartz Beige
	5D71	Quartz Beige	Off Black	Off Black	Quartz Beige	Quartz Beige	Quartz Beige
	5D77	Off Black	Off Black	Off Black	Off Black	Off Black	Quartz Beige

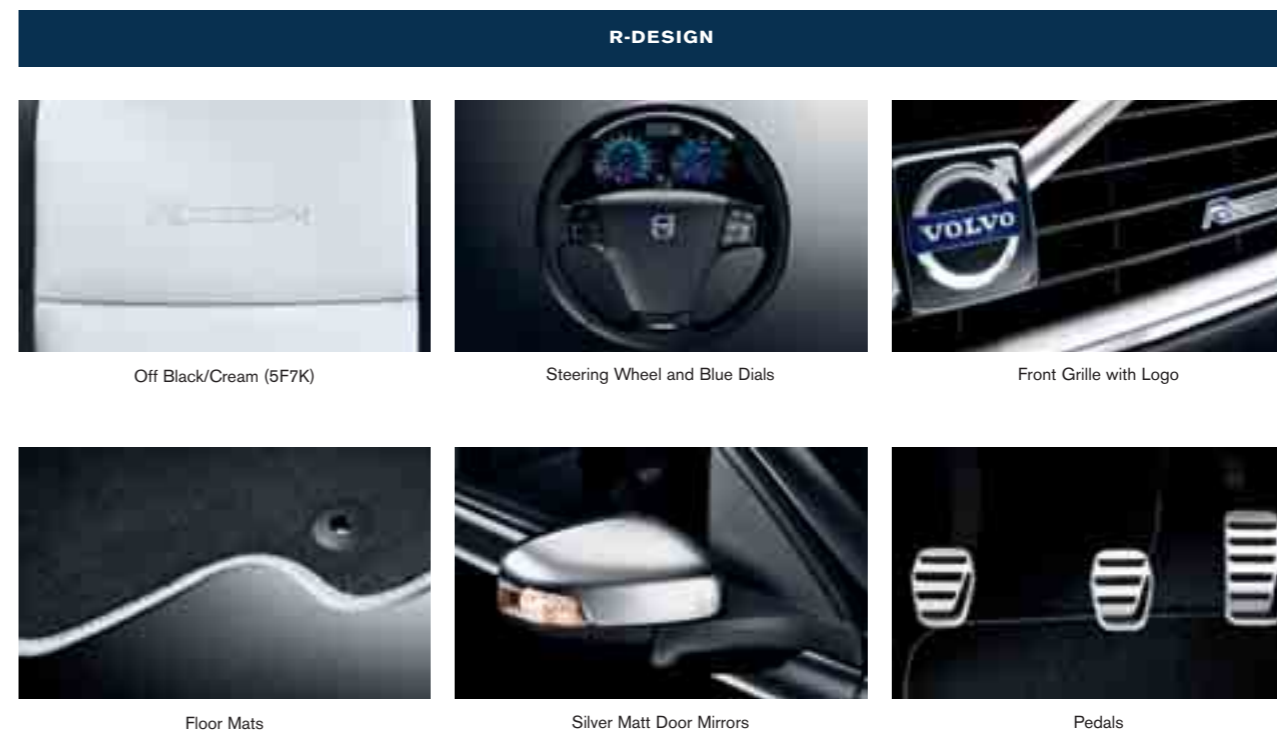
INTERIOR INLAYS



Bauxite Aluminium Nordic Light Oak Virtual White **R-DESIGN** Deco Aluminium

NB It is not possible to reproduce exact original shades in printed matter.

UPHOLSTERY



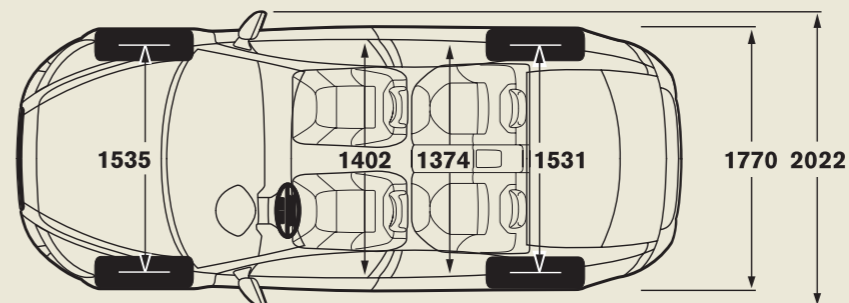
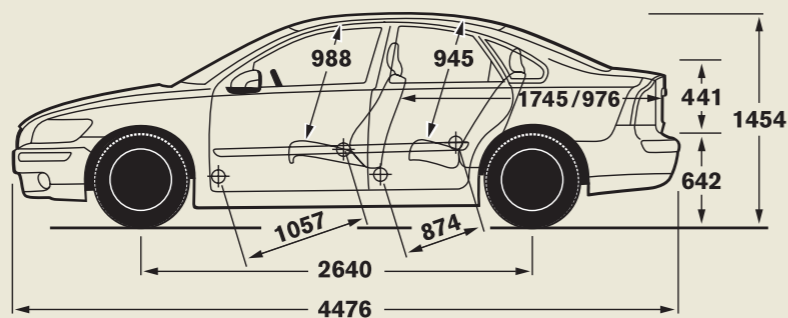
NB For full colour breakdown of upholstery and interior, please refer to the upholstery section on page 6.

ENGINE	1.6 Man	1.8 Man	2.0 Man	2.4i	T5	1.6D Man	2.0D Man	D5 Geartronic	1.8F Flexifuel Man
Configuration	Transverse – 16 valve	Transverse – 16 valve	Transverse – 16 valve	Transverse – 20 valve	Transverse – 20 valve	Transverse – 16 valve	Transverse – 16 valve	Transverse – 20 valve	Transverse – 16 valve
Cylinders	4	4	4	5	5	4	4	5	4
Engine capacity, cc	1596	1798	1999	2435	2521	1560	1997	2400	1798
Bore x stroke, mm	79 x 81.4	83 x 83.1	87.5 x 83.1	83 x 90	83 x 93.2	75 x 88.3	85 x 88	81 x 93.2	83 x 83.1
Max. output ECE, PS/kw/rpm	100/74/6000	125/92/6000	145/107/6000	170/125/6000	230/169/5000	109/80/4000	136/100/4000	180/132/4000	125/92/6000
Max. torque ECE, Nm/rpm	150/4000	165/4000	185/4500	230/4400	320/1500 – 5000	240/1750	320/2000	350/1750 – 3250	165/4000
Octane rating	95 RON Unleaded	95 RON Unleaded	95 RON Unleaded	95 RON Unleaded	98 RON ⁱⁱ Unleaded	N/A Diesel	N/A Diesel	N/A Diesel	95 RON Unleaded/ Bio-ethanol (E85)
Fuel system	Multipoint fuel injection	Multipoint fuel injection	Multipoint fuel injection	Multipoint fuel injection	Multipoint fuel injection	Multipoint direct fuel injection	Multipoint direct fuel injection	Multipoint direct fuel injection	Multipoint fuel injection
Compression ratio	11.0:1	10.8:1	10.8:1	10.3:1	9.0:1	18.3:1	18.5:1	17.3:1	10.8:11

INSURANCE GROUPS	1.6 Man	1.8 Man	2.0 Man	2.4i	T5	1.6D Man	2.0D Man	D5 Geartronic	1.8F Flexifuel Man
Volvo S40	7E	10E	12E	13E	15E	8E	10E	15E	10E

E = Exceeds security requirements for model concerned and group rating has been reduced.

WEIGHTS	1.6 Man	1.8 Man	2.0 Man	2.4i Man Gt	T5 Man Gt	1.6D Man	2.0D Man	D5 Geartronic	1.8F Flexifuel Man
Min. kerb weight, kg (actual kerb weight dependent on spec.)	1322	1376	1384	1457 1481	1472 1489	1410	1457	1543	1390
Max. possible towing weight braked, kg	1200	1300	1350	1500 1500	1500 1500	1300	1500	1500	1300
Max. towing weight unbraked approx, kg ^(iv)	650	650	650	700 700	700 750	650	700	750	650
Max. total weight, kg	1800	1850	1850	1940 1940	1960 1960	1880	1940	2020	1850
Max. roof load, kg	75	75	75	75 75	75 75	75	75	75	75
Max. payload, kg (dependent on spec.)	478	474	466	483 459	488 471	470	483	477	460



PERFORMANCE	1.6 Man	1.8 Man	2.0 Man	2.4i Man Gt	T5 Man Gt	1.6D Man	2.0D Man	D5 Geartronic	1.8F Flexifuel Man
Top speed, mph	115	124	130	137 134	149 146	118	127	137	124
Acceleration 0-60 mph, sec	11.3	10.3	8.9	7.7 8.4	6.3 6.7	11.4	8.9	7.9	10.3
0-62 mph (0-100kmh), sec	11.9	10.9	9.5	8.2 8.9	6.8 7.2	12.0	9.5	8.5	10.9
Drag co-efficient	0.31	0.31	0.31	0.31	0.31	0.31	0.31	0.31	0.31

TRANSMISSION	
Manual 2.0D/T5	6 speed
Manual 1.6/1.8/2.0/2.4i/1.6D/1.8F	5 speed
Geartronic 2.4i/T5/D5	5 speed

TURNING CIRCLE	16"	17"	18"
Rack & pinion, m	10.6	10.8	11.3

FUEL CONSUMPTION ⁽ⁱⁱⁱ⁾	1.6 Man	1.8 Man	2.0 Man	2.4i Man Gt	T5 Man Gt	1.6D Man	2.0D Man	D5 Geartronic	1.8F Flexifuel Man
Urban mpg (l/100km)	29.7 (9.5)	28.0 (10.1)	27.7 (10.2)	22.8 21.4 (12.4) (13.2)	22.6 20.6 (12.5) (13.7)	45.6 (6.2)	37.2 (7.6)	29.1 (9.7)	27.4 (10.3)
Extra Urban mpg (l/100km)	48.7 (5.8)	49.6 (5.7)	49.6 (5.7)	42.8 42.2 (6.6) (6.7)	44.1 40.9 (6.4) (6.9)	67.3 (4.2)	58.9 (4.8)	51.4 (5.5)	48.7 (5.8)
Combined mpg (l/100km)	39.2 (7.2)	38.7 (7.3)	38.2 (7.4)	33.2 31.0 (8.5) (9.1)	32.5 30.1 (8.7) (9.4)	57.6 (4.9)	48.7 (5.8)	40.4 (7.0)	38.2 (7.4)
CO ₂ g/km	171	174	177	203 217	208 224	129	153	184	177
VED (Vehicle Excise Duty) Band	E	E	E	F	F F	C	D	E	E
Fuel tank volume, litres	55	55	55	62	62	52	52	60	55

BRAKES	1.6/1.8/2.0/1.6D/1.8F	2.4i/T5/2.0D	D5
Disc Diameter mm, front	15" – 278 Ventilated	16" – 300 Ventilated	16.5" – 320 Ventilated
Disc Diameter mm, rear	280	280	280

LUGGAGE COMPARTMENT	
Volume, litres	404 (D5 325)
Volume, rear seats down, litres	883 (D5 800)

- (i) For best performance and lowest fuel consumption 98 RON is recommended, 95 RON can be used for normal driving.
- (ii) The Urban fuel consumption figure is based on typical city driving, including starting the car from cold. The Extra Urban figure is based on typical motorway driving and cruising. The Combined figure averages the consumption across both cycles.
- (iii) These results do not express or imply any guarantee of the fuel consumption of a particular car as there are inevitable differences between individual cars of the same model. Additionally driving style, traffic conditions, as well as the age and mileage and standard of maintenance will affect a car's fuel consumption.
- (iv) Unbraked towing weight must not exceed 50% of kerb weight up to a maximum of 700 kg.

Notes
 The weight of a vehicle will influence the level of CO₂ emitted. As a result, vehicles with higher levels of specification and factory fit options may emit higher levels of CO₂. Once a vehicle has been built it will be given its own specific CO₂ emission on which the Vehicle Excise Duty will be charged.
 A weighbridge must be used to determine specific weights. Data valid for manual transmission unless specified.
 All measurements in mm.
 Gt = Geartronic Automatic Transmission.
 The Max. output figures are quoted in PS (Pferdestärke), which is the metric equivalent of brake horsepower.
 NB Some of the information in this price list may not be correct due to product changes which may have occurred since it was printed. Some of the equipment described or shown may now be available only at extra cost. Before ordering, please ask your Volvo dealer for the latest information. The manufacturer reserves the right to make changes at any time, without notice, to prices, colour, materials, specifications and models.
 Volvo Car UK Limited, Globe Park, Marlow, Buckinghamshire, SL7 1YQ



019 Black Stone⁽ⁱ⁾



477 Inscription™ Electric Silver Coarse Flake metallic



426 Silver metallic



478 Maple Red pearl⁽ⁱ⁾



452 Black Sapphire metallic



479 Orinoco Blue pearl



455 Titanium Grey pearl



488 Gecko Green pearl



462 Flint Grey metallic⁽ⁱ⁾



489 Matt Gold pearl⁽ⁱ⁾



464 Safari Green metallic⁽ⁱ⁾



490 Chameleon Blue pearl⁽ⁱ⁾



466 Barents Blue pearl



612 Passion Red



476 Brilliant Blue pearl



614 Ice White

CARE
BY VOLVO

THE END IS JUST THE BEGINNING

It's a simple idea; one point of contact for all your car ownership needs – whether it's about finding the right finance deal or who to contact in an emergency. To get the most out of owning your Volvo, trust Care by Volvo.

STARTING OFF ON THE RIGHT FOOT

You might be surprised how easy and flexible financing can be. Our range of finance, service and insurance options allows you to budget around one key factor – your lifestyle.

MAKING LIFE EASIER

Owning a Volvo should be a safe and enjoyable experience. To ensure it stays that way, we're committed to providing you with the best in support for as long as you own one.

LOOKING AHEAD

You'll probably never find out just how good some of these services are. But should the unexpected happen, we'd like to think that you'd be even happier you chose a Volvo.

FINANCE

As part of Volvo, Volvo Car Finance has developed a series of funding plans that will provide you with maximum choice and flexibility when acquiring a Volvo.

SERVICE PROGRAMME

Your Volvo dealer has the unique know-how to tailor a service programme according to Volvo's strict recommendations and guarantees you years of safety and driving pleasure.

ROADSIDE ASSISTANCE

Every new car comes with one year's Volvo Assistance cover. You'll enjoy free breakdown and recovery assistance, anywhere in Europe, 24 hours a day. You can even extend cover for £85 for one year or £155 for two years.

INSURANCE

Volvo Owners Insurance is designed for Volvo drivers and because we know Volvos inside out, we can offer exactly the right tools and expertise, fitting only genuine Volvo parts by trained Volvo technicians. Because Volvo drivers have an excellent reputation, we can also offer extensive cover at a reasonable price.

VOLVO ON CALL

Subscribe to Volvo On Call and you'll never be completely on your own. It's a GPS-based communication system providing 24-hour access to both emergency and roadside assistance wherever you are. See the Volvo On Call brochure for more information.

WARRANTY

Every new Volvo comes with comprehensive protection. Our warranty covers the first three years or 60,000 miles, whichever comes first. There's a three year unlimited mileage warranty on the paintwork, and either eight or twelve years against rust perforation. If a component fails due to a defect or material fault, your dealer will swiftly rectify the problem, free of charge.

For tax free sales, including Military, Diplomat and all other Export enquiries, contact Volvo Car UK Tourist & Diplomat Sales or Volvo Car UK British Military Sales on **01707 262 388** or e-mail to vcukics@volvocars.com or bms@volvocars.com

All 'On The Road' prices quoted in this price list include Volvo standard national delivery charge, inclusive of number plates at £480 and the VED (Vehicle Excise Duty) car tax effective from 1st March 2000. The 'On The Road' price also includes a £50 vehicle first registration fee (as set by the government), effective since 1st April 1998 (excludes Channel Islands and Isle of Man). Retail prices quoted do not include these additions.

WHAT NEXT? If you'd like to find out more about the range of products and services that make up Care by Volvo, the story continues at www.volvocars.co.uk. Alternatively you can contact your nearest Volvo dealer or request relevant brochures.

(i) Volvo Owners Insurance is underwritten by Royal & Sun Alliance Insurance plc No. 93792. Registered in England and Wales at St Mark's Court, Chart Way, Horsham, West Sussex RH12 1XL. Authorised and regulated by the Financial Services Authority. For your protection telephone calls will be recorded and may be monitored.

NB Some of the information in this brochure may not be correct due to product changes which may have occurred since it was printed. Before ordering, please ask your Volvo dealer for the latest information. The manufacturer reserves the right to make changes at any time, without notice, to prices, colour, materials, specifications and models.

Volvo. for life

VOLVO

Volvo Car UK Limited
www.volvocars.co.uk

MODEL YEAR 2008 EDITION 2

PRINTED: JULY 2007

07/08/90010453/25
