

# VOLVO C70

PRICE AND SPECIFICATION



# Create your perfect Volvo C70

Congratulations. You're only a few steps away from your perfect Volvo C70. This price list contains everything you need to create the car that's exactly right for you.

From selecting the right package and choosing from a range of class leading engines, through to picking the perfect colour and adding the finishing touches, you're in complete control. You'll also find full engine details and in-depth technical specifications to help you make the most informed choice.

Whatever you decide, you'll be choosing a car styled as a coupe but designed to be a convertible. Equally stunning whether the roof is up or down, the Volvo C70's transition from sporty coupe to luxury convertible takes less than 30 seconds.





## C70 S

The comprehensive standard specification includes ECC (Electronic Climate Control), RTI Navigation System with RDS-TMC, Keyless Drive, 16" Castula alloy wheels, DSTC (Dynamic Stability and Traction Control), front fog lights, power windows, information centre, cruise control and High Performance sound audio system.

## C70 SE

The SE model brings added luxury to the Volvo C70. Power driver's seat, leather-faced upholstery, autodimming rear view mirror, leather steering wheel and gear knob, Nordic Light Oak trim and 8-speaker 6 x CD/radio system are just some of the standard SE features.

## C70 SE LUX

The SE Lux model is the ultimate choice. Dynaudio Premium Sound Audio System, autofolding power door mirrors with ground lights, power passenger seat, subwoofer and 18" Mirzam alloy wheels are all included in this top-of-the-range model.

## C70 SPORT

The Sport model specification includes 17" Serapis alloy wheels, leather sports steering wheel and gear knob with aluminium inserts, steering wheel remote audio controls, aluminium trim and Haverdal Leather T-Tec Sports upholstery.

# On the road

How much will it cost to get behind the wheel of your own Volvo C70? Simply decide which model variant and engine type are right for you and then take a look at the full price list below.

## C70 S

	Basic £	VAT £	Rec Retail Price £	On the Road Price £
<b>PETROL</b>				
2.4i S	£21,446.81	£3,753.19	£25,200.00	£25,995.00
<b>DIESEL</b>				
2.0D S	£21,842.55	£3,822.45	£25,665.00	£26,395.00

## C70 SE

	Basic £	VAT £	Rec Retail Price £	On the Road Price £
<b>PETROL</b>				
2.4i SE	£23,280.85	£4,074.15	£27,355.00	£28,150.00
T5 SE	£26,068.09	£4,561.91	£30,630.00	£31,425.00
<b>DIESEL</b>				
2.0D SE	£23,544.68	£4,120.32	£27,665.00	£28,395.00
D5 SE	£24,991.49	£4,373.51	£29,365.00	£30,120.00



## C70 SE LUX

	Basic £	VAT £	Rec Retail Price £	On the Road Price £
<b>PETROL</b>				
2.4i SE Lux	£25,174.47	£4,405.53	£29,580.00	£30,375.00
T5 SE Lux	£27,961.70	£4,893.30	£32,855.00	£33,650.00
<b>DIESEL</b>				
2.0D SE Lux	£25,438.30	£4,451.70	£29,890.00	£30,620.00
D5 SE Lux	£26,885.11	£4,704.89	£31,590.00	£32,345.00

## C70 SPORT

	Basic £	VAT £	Rec Retail Price £	On the Road Price £
<b>PETROL</b>				
2.4i Sport	£22,217.02	£3,887.98	£26,105.00	£26,900.00
T5 Sport	£25,004.26	£4,375.74	£29,380.00	£30,175.00
<b>DIESEL</b>				
2.0D Sport	£22,480.85	£3,934.15	£26,415.00	£27,145.00
D5 Sport	£23,927.66	£4,187.34	£28,115.00	£28,870.00

# The right equipment

It's essential that your Volvo comes equipped with everything you need. Below you'll find the standard equipment lists for each model variant, plus optional equipment to personalise your Volvo C70. And as you'd expect, there is an array of industry-leading, cutting edge safety innovations.

<b>STANDARD EQUIPMENT - SAFETY &amp; SECURITY</b>	<b>S</b>	<b>SE</b>	<b>SE LUX</b>	<b>SPORT</b>
Dual Stage Driver and Passenger Airbags	•	•	•	•
SIPS (Side Impact Protection System)	•	•	•	•
SIPS Airbags	•	•	•	•
IC (Inflatable Curtain – Door Mounted)	•	•	•	•
ROPS (Roll Over Protection System)	•	•	•	•
WHIPS (Whiplash Protection System)	•	•	•	•
ABS (Anti-lock Brake System) with EBD (Electronic Brake Distribution) and EBA (Electronic Brake Assistance)	•	•	•	•
DSTC (Dynamic Stability and Traction Control)	•	•	•	•
4 Three Point Seat Belts	•	•	•	•
Seat Belt Pre-tensioners (Front and Rear)	•	•	•	•
Head Restraints – All 4 Seats	•	•	•	•
ISOFIX Attachment (Rear Seats)	•	•	•	•
Anti-theft Alarm including Immobiliser, Volume Sensor and Level Sensor	•	•	•	•
Key Integrated Remote Control Central Locking including Fuel Flap with Deadlocking System	•	•	•	•
Auto Open for Windows	•	•	•	•
Tinted Windows	•	•	•	•
Water Repellent Side Windows	•	•	•	•
Visible VIN Plate	•	•	•	•
Day Running Lights	•	•	•	•
Headlamp Levelling System	•	•	•	•
High Level LED Brake Light	•	•	•	•
Side Marker Illumination	•	•	•	•
Home Safe and Approach Lighting	•	•	•	•
IDIS (Intelligent Driver Information System)	•	•	•	•

<b>STANDARD EQUIPMENT - EXTERIOR</b>	<b>S</b>	<b>SE</b>	<b>SE LUX</b>	<b>SPORT</b>
16" Castula Alloy Wheels – 215/55 R16 Tyres	•			
17" Sadira Alloy Wheels – 235/45 R17 Tyres		•		
17" Serapis Alloy Wheels – 235/45 R17 Tyres				•
18" Mirzam Alloy Wheels – 235/40 R18 Tyres			•	
Locking Wheel Nuts	•	•	•	•
Tyre Sealant Kit and Compressor	•	•	•	•
Autofolding Power Door Mirrors with Ground Lights		•	•	
Power Adjustable and Heated Door Mirrors	•	•	•	•
Front Fog Lights	•	•	•	•
Speed Dependent Interval Wiper Function	•	•	•	•
Rain Sensor		•	•	
Rally Bar (Front Strut Stiffener) (T5 and D5 only)		•	•	•
Grey Sill Covers with Stainless Steel Step Covers	•	•	•	•
RHT (Retractable Hard Top)	•	•	•	•

<b>STANDARD EQUIPMENT - INTERIOR</b>	<b>S</b>	<b>SE</b>	<b>SE LUX</b>	<b>SPORT</b>
ECC (Electronic Climate Control) with AQS (Air Quality System) and Pollen Filter	•	•	•	•
Information Centre	•	•	•	•
Exterior Temperature Gauge	•	•	•	•
Cruise Control	•	•	•	•
Keyless Drive	•	•	•	•
Front and Rear Power Windows	•	•	•	•
Illuminated Driver and Passenger Vanity Mirrors	•	•	•	•
Front and Rear Reading Lights	•	•	•	•
Autodimming Rear View Mirror with Humidity Sensor and Compass		•	•	
Front Centre Armrest	•	•	•	•
Front and Rear Cupholders with Sliding Cover	•	•	•	•
Cargo Net			•	
Ski Bag			•	
Rear 12v Socket	•	•	•	•
Power Driver's Seat with Seat Memory		•	•	
Power Passenger Seat		•	•	
Height Adjustable Driver and Passenger Seats with Lumbar Support	•	•	•	•
Leather Steering Wheel, Gear Knob and Handbrake Lever	•			
Steering Wheel Remote Audio Controls	•	•	•	•
Height and Reach Adjustable Steering Column	•	•	•	•
Bauxite Trim	•			
Aluminium Trim, including Leather Sports Steering Wheel, Gear Knob with Aluminium Insert and Leather Handbrake Lever				•
Nordic Light Oak Trim, Leather Steering Wheel, Gear Knob and Handbrake Lever		•	•	
Borgholm Upholstery	•			
Haverdal Leather/T-Tec Sports Upholstery				•
Leather-faced Upholstery		•	•	
High Performance Sound Audio System – 1 x CD/Radio, 4 x 40W Amplifier, Aux Input and 8 Speakers	•	•		•
Dynaudio Premium Sound Audio System – with Dolby Pro Logic II Surround Sound <sup>(i)</sup> , 1 x CD, 5 x 130W Amplifier, Aux Input, and 12 Speakers			•	
6 x CD Player (MP3/WMA Compatible)		•	•	
RTI Navigation System with RDS-TMC and Map Data on Hard Disk	•	•	•	•
Subwoofer			•	

(i) Dolby and Pro Logic Surround Sound™ are trademarks of Dolby Laboratories Licensing Corporation.



<b>OPTIONAL EQUIPMENT – SAFETY &amp; SECURITY</b>	<b>Basic £</b>	<b>VAT £</b>	<b>Rec Retail Price £</b>	<b>S</b>	<b>SE</b>	<b>SE LUX</b>	<b>SPORT</b>
BLIS (Blind Spot Information System) with Autofolding Power Door Mirrors and Ground Lights	£553.19	£96.81	£650.00	o	u (£450)	u (£450)	o
Passenger Airbag Cut Off Switch	£21.28	£3.72	£25.00	o	o	o	o
Homelink	£42.55	£7.45	£50.00	o	o	o	o

<b>OPTIONAL EQUIPMENT – EXTERIOR</b>	<b>Basic £</b>	<b>VAT £</b>	<b>Rec Retail Price £</b>	<b>S</b>	<b>SE</b>	<b>SE LUX</b>	<b>SPORT</b>
Black Paint (Solid)	£212.77	£37.23	£250.00	o	o	o	o
Metallic/Pearlescent Paint	£468.09	£81.91	£550.00	o	o	o	o
Inscription™ Paint	£638.30	£111.70	£750.00	o	o	o	o
17" Sadira Alloy Wheels – 235/45 R17 Tyres	£255.32	£44.68	£300.00	o	•	nco	nco
17" Serapis Alloy Wheels – 235/45 R17 Tyres	£255.32	£44.68	£300.00	o	nco	nco	•
17" Syrma Alloy Wheels – 235/45 R17 Tyres	£255.32	£44.68	£300.00	o	nco	nco	nco
18" Mirzam Alloy Wheels – 235/40 R18 Tyres	£723.40	£126.60	£850.00	o	u (£325)	•	u (£550)
Tempa Spare Wheel and Jack Kit	–	–	–	nco	nco	nco	nco
Autofolding Power Door Mirrors with Ground Lights	£170.21	£29.79	£200.00	o	•	•	o
Rear Park Assist	£297.87	£52.13	£350.00	o	o	o	o

<b>OPTIONAL EQUIPMENT – INTERIOR</b>	<b>Basic £</b>	<b>VAT £</b>	<b>Rec Retail Price £</b>	<b>S</b>	<b>SE</b>	<b>SE LUX</b>	<b>SPORT</b>
Powershift (6 Speed Automatic Transmission) (2.0D only)	£1,191.49	£208.51	£1,400.00	o	o	o	o
Geartronic Transmission (Not 2.0D)	£1,063.83	£186.17	£1,250.00	o	o	o	o
Power Driver's Seat with Seat Memory <sup>(ii)</sup>	£468.09	£81.91	£550.00	o	•	•	o
Power Driver and Passenger Seats with Driver's Seat Memory <sup>(iii)</sup>	£936.17	£163.83	£1,100.00	o	u (£550)	•	o
Aluminium Trim, including Leather Sports Steering Wheel, Gear Knob with Aluminium Insert and Leather Handbrake Lever	–	–	–	n/a	nco	nco	•
Nordic Light Oak Trim, Leather Steering Wheel, Gear Knob and Handbrake Lever	£425.53	£74.47	£500.00	o	•	•	u (£250)
Virtual White Trim	£212.77	£37.23	£250.00	o	nco	nco	nco
Haverdal Leather/T-Tec Sports Upholstery	£510.64	£89.36	£600.00	o	n/a	n/a	•
Leather-faced Upholstery	£1,021.28	£178.72	£1,200.00	o	•	•	u (£600)
Sovereign Hide Soft Leather Upholstery	£1,702.13	£297.87	£2,000.00	o	u (£800)	u (£800)	u (£1,400)
6 x CD Player (MP3/WMA Compatible)	£212.77	£37.23	£250.00	o	•	•	o
Dynaudio Premium Sound Audio System – with Dolby Pro Logic II Surround Sound <sup>(i)</sup> , 1 x CD, 5 x 130W Amplifier, Aux Input and 12 Speakers	£936.17	£163.83	£1,100.00	o	o	•	o
Bluetooth® Handsfree System <sup>(iv)</sup>	£212.77	£37.23	£250.00	o	o	o	o
Dual Band Integrated GSM Telephone and Volvo On Call <sup>(iii)(v)</sup>	£425.53	£74.47	£500.00	o	o	o	o



	<b>Basic £</b>	<b>VAT £</b>	<b>Rec Retail Price £</b>	<b>S</b>	<b>SE</b>	<b>SE LUX</b>	<b>SPORT</b>
<b>WINTER PACK</b> Heated Front Seats, Headlamp Cleaning System and Luxury Floor Mats	£340.43	£59.57	£400.00	o	o	o	o
Winter Pack with Dual Xenon Headlamps	£723.40	£126.60	£850.00	o	o	o	o
<b>CONVENIENCE PACK</b> Autodimming Rear View Mirror, Autofolding Power Door Mirrors with Ground Lights, Rain Sensor, Ski Bag and Cargo Net	£468.09	£81.91	£550.00	o	n/a	•	o

• = standard, o = optional, nco = no cost option, u(£) = upgrade.

- (i) Dolby and Pro Logic Surround Sound™ are trademarks of Dolby Laboratories Licensing Corporation.
- (ii) Power Driver's Seat with Seat Memory or Power Driver and Passenger Seats must be combined with Autofolding Power Door Mirrors with Ground Lights.
- (iii) Volvo On Call includes Safety package (Security package available at additional cost).
- (iv) Cannot be ordered in conjunction with Dual Band Integrated GSM Telephone and Volvo On Call.
- (v) Available from August 2008 with handset only and from November 2008 onwards without handset.





## What's your style?

At Volvo we know everyone is different. And that's why you can choose from a whole spectrum of colours for the exterior of your Volvo C70. Whatever your style, you'll find the perfect shade for you.



019 Black Stone



426 Silver metallic



452 Black Sapphire metallic



466 Barents Blue pearl



467 Magic Blue pearl



474 Celestial Blue pearl



477 Inscription™ Electric Silver Coarse Flake metallic



487 Inscription™ Ember Black pearl



489 Matt Gold pearl



491 Vanilla pearl



612 Passion Red



614 Ice White

NB It is not possible to reproduce exact original shades in printed matter. Please ask your Volvo dealer to show you samples.

# The wheels

And now we come to one of the most important parts of choosing your new Volvo C70. Volvo alloy wheels come in a variety of different styles, cuts and finishes – each with its own distinct character.

Your selection of alloy wheel can dramatically influence the exterior styling of your Volvo C70. What will you choose?



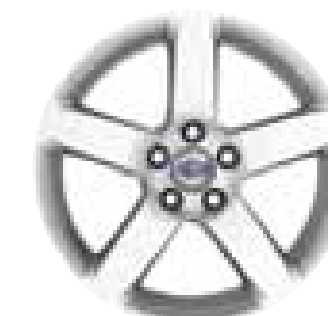
16" Castula



17" Sadira



17" Syrma



17" Serapis



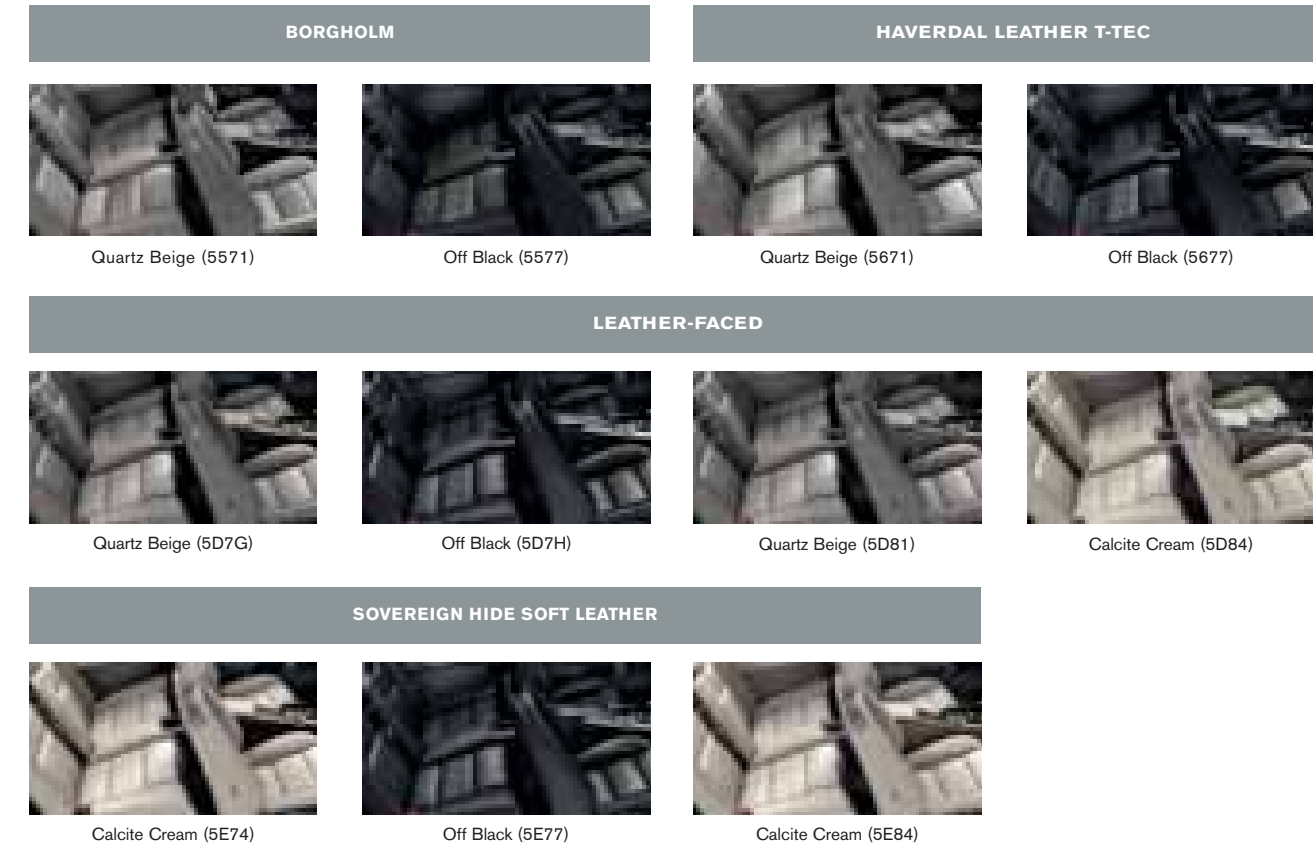
18" Mirzam





# Bespoke tailoring from Volvo

The finest fabrics, superb stitching and minute attention to detail – whichever interior you choose for your Volvo C70 you'll be surrounded by luxury. How will you tailor yours?



NB For full colour breakdown of upholstery and interior, please refer to the upholstery section below.

UPHOLSTERY	Upholstery Code	Upholstery Colour and Door Insert Colour	Dashboard Top & Upper Door Panel	Lower Door Panel, Lower Dashboard, Carpet & Tunnel Console	Headliner Colour
Borgholm	5571	Quartz Beige	Off Black	Off Black	Quartz Beige
	5577	Off Black	Off Black	Off Black	Quartz Beige
Haverdal Leather T-Tec	5671	Quartz Beige	Off Black	Off Black	Quartz Beige
	5677	Off Black	Off Black	Off Black	Quartz Beige
Leather-faced	5D7G	Quartz Beige	Off Black	Off Black	Quartz Beige
	5D7H	Off Black	Off Black	Off Black	Quartz Beige
	5D81	Quartz Beige	Off Black/Umbra Brown	Quartz Beige	Quartz Beige
	5D84	Calcite Cream	Off Black/Umbra Brown	Quartz Beige	Quartz Beige
Sovereign Hide Soft Leather	5E74	Calcite Cream	Off Black	Off Black	Quartz Beige
	5E77	Off Black	Off Black	Off Black	Quartz Beige
	5E84	Calcite Cream	Off Black/Umbra Brown	Quartz Beige	Quartz Beige



## Interior inlays

A selection of premium materials to complement your interior fabric.



Bauxite



Aluminium



Nordic Light Oak



Virtual White

NB It is not possible to reproduce exact original shades in printed matter.

# In fine detail

The nuts and bolts of your Volvo C70. Whatever you need to know about your new car – whether that's fuel consumption, CO<sub>2</sub> emissions, top speed or boot space – you'll find it here.

ENGINE	2.4i	T5	2.0D	D5
Configuration	Transverse – 20 valve	Transverse – 20 valve	Transverse – 16 valve	Transverse – 20 valve
Cylinders	5	5	4	5
Engine capacity, cc	2435	2521	1997	2400
Bore x stroke, mm	83 x 90	83 x 93	85 x 88	81 x 93.2
Max. output ECE, PS kw rpm	170 125 6000	230 162 5000	136 100 4000	180 132 4000
Max. torque ECE, Nm rpm	230 4400	320 1500-4800	320 2000	400 2000-2750
Octane rating	95-98 RON <sup>(i)</sup> unleaded	95-98 RON <sup>(i)</sup> unleaded	N/A – Turbo Diesel	N/A – Turbo Diesel
Fuel system	Multipoint Fuel Injection	Multipoint Fuel Injection	Common Rail Direct Injection	Common Rail Direct Injection
Compression ratio	10.3:1	9.0:1	18.5:1	17.3:1

PERFORMANCE	2.4i		T5		2.0D		D5	
	Manual	Geartronic	Manual	Geartronic	Manual	Powershift	Manual	Geartronic
Top speed, mph	137	134	150	146	127	127	140	140
Acceleration 0-60mph, sec	8.5	9.3	7.0	7.4	10.3	10.5	8.6	8.8
0-62mph (0-100kmh), sec	9.1	10.0	7.6	8.0	11.0	11.1	9.0	9.5
Drag co-efficient	0.31		0.31		0.31		0.31	

FUEL CONSUMPTION <sup>(ii)(iii)</sup>	2.4i		T5		2.0D		D5	
	Manual	Geartronic	Manual	Geartronic	Manual	Powershift	Manual	Geartronic
(Government Approved) Mpg (l/100km) Urban	21.9 (12.9)	20.5 (13.8)	21.6 (13.1)	19.2 (14.7)	34.4 (8.2)	34.9 (8.1)	32.5 (8.7)	27.4 (10.3)
Extra Urban	42.2 (6.7)	40.4 (7.0)	42.2 (6.7)	40.4 (7.0)	57.6 (4.9)	53.3 (5.3)	52.3 (5.4)	48.7 (5.8)
Combined	31.4 (9.0)	29.4 (9.6)	31.0 (9.1)	28.8 (9.8)	46.3 (6.1)	44.8 (6.3)	42.8 (6.6)	38.2 (7.4)
CO <sub>2</sub> g/km	215	229	217	234	161	167	174	196
VED (Vehicle Excise Duty) Band	F	G	F	G	D	E	E	F

LUGGAGE COMPARTMENT	All models
Volume, litres (cu. ft)	404 (14.3)
Roof Up Roof Down	200 (7.1)

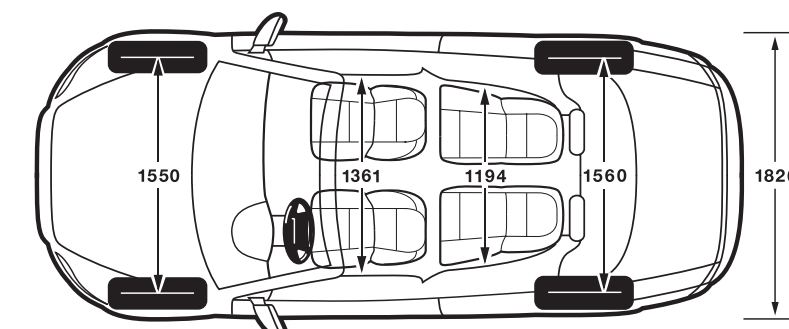
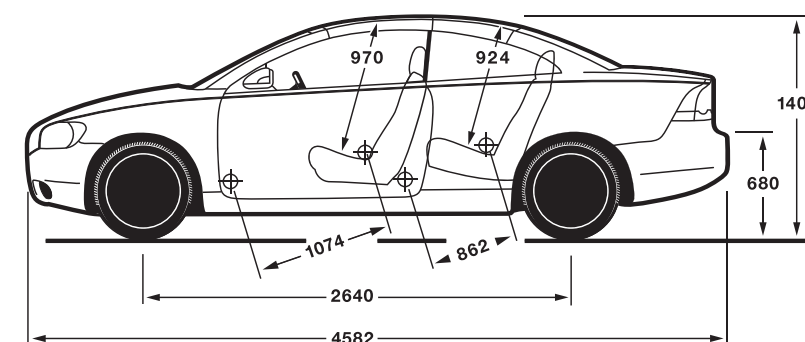
POWER STEERING SYSTEM	
(rack & pinion) Turning Circle m (ft)	11.8 (38.7)

	2.4i	T5	2.0D	D5
Brakes Disc Diameter Front, mm Disc Diameter Rear, mm	320 ventilated 280	320 ventilated 280	300 ventilated 280	320 ventilated 280
Transmission Manual Geartronic Powershift (Automatic Gearbox)	5 speed 5 speed –	6 speed 5 speed –	6 speed – 6 speed	6 speed 5 speed –
Fuel Tank Volume litres (gallons)	62 (13.6)	62 (13.6)	52 (11.4)	60 (13.2)

INSURANCE GROUPS		2.4i	T5	2.0D	D5
Volvo C70	S	16E	–	15E	–
	SE	16E	17E	15E	16E
	SE Lux	16E	17E	15E	16E
	Sport	16E	17E	15E	16E

E = Exceeds security requirements for model concerned and group rating has been reduced.

WEIGHTS	2.4i		T5		2.0D		D5	
	Manual	Geartronic	Manual	Geartronic	Manual	Powershift	Manual	Geartronic
Min. kerb weight, kg (actual kerb weight dependent on spec.)	1699	1721	1736	1750	1722	1739	1777	1790
Max. possible towing weight braked, kg	1500	1500	1500	1500	1500	1500	1500	1500
Max. towing weight unbraked approx, kg <sup>(iv)</sup>	750	750	750	750	750	750	750	750
Max. towball weight, kg	75	75	75	75	75	75	75	75
Max. total weight, kg	2070	2090	2090	2100	2090	2110	2130	2150
Max. payload, kg (dependent on spec.)	371	369	354	350	368	371	353	360



- (i) For best performance and lowest fuel consumption, 98 RON is recommended. 95 RON can be used for normal driving.
- (ii) These results do not express or imply any guarantee of the fuel consumption of a particular car as there are inevitable differences between individual cars of the same model. Additionally, driving style, traffic conditions, as well as the age and mileage and standard of maintenance will affect a car's fuel consumption.
- (iii) The Urban fuel consumption figure is based on typical city driving, including starting the car from cold. The Extra Urban figure is based on typical motorway driving and cruising. The Combined figure averages the consumption across both cycles.
- (iv) Unbraked towing weight must not exceed 50% of kerb weight up to a maximum of 700 kg.

#### Notes

The weight of the vehicle will influence the level of CO<sub>2</sub> emitted. As a result, vehicles with higher levels of specification and factory fit options may emit higher levels of CO<sub>2</sub>. Once a vehicle has been built it will be given its own specific CO<sub>2</sub> emission on which the Vehicle Excise Duty will be charged.

A weighbridge must be used to determine specific weights.

Data valid for manual transmission unless specified.

All measurements in mm.

The Max. output figures are quoted in PS (Pferdestärke), which is the metric equivalent of brake horsepower.

NB Some of the information in this price list may not be correct due to product changes which may have occurred since it was printed. Some of the equipment described or shown may now be available only at extra cost. Before ordering, please ask your Volvo dealer for the latest information. The manufacturer reserves the right to make changes at any time, without notice, to prices, colour, materials, specifications and models.

Volvo Car UK Limited, Globe Park, Marlow, Buckinghamshire, SL7 1YQ.

# Accessories from Volvo

Of course, your Volvo C70 won't be perfect until it's exactly how you want it. And that's why we offer a range of accessories so you can completely personalise your new car. **The prices quoted below exclude fitting costs and are correct at time of going to press** – please confirm the total cost with your local Volvo dealer.

ACCESSORIES	Basic £	VAT £	Rec Retail Price £
<b>EXTERIOR ACCESSORIES</b>			
Bike Rack (towbar mounted and collapsible)	£294.28	£51.50	£345.78
Bike Carrier – extra bicycle towbar mounted	£69.20	£12.11	£81.31
Snow Chain, standard	£125.76	£22.01	£147.77
Towbar – Detachable type with 7 Pin Electrics	£414.69	£72.57	£487.26
Towbar – Detachable type with 13 Pin Electrics	£510.64	£89.36	£600.00
Rear Park Assist	£151.94	£26.59	£178.53
Front Park Assist	£144.99	£25.37	£170.36
Bumper Cover, rear bumper	£37.15	£6.50	£43.65
Dirt Cover, complete	£115.62	£20.23	£135.85
Dirt Cover, cable lock	£19.76	£3.46	£23.22
<b>INTERIOR ACCESSORIES</b>			
Garmin Portable Sat Nav	£310.64	£54.36	£365.00
Boot Mat – textile/rubber reversible	£88.58	£15.50	£104.08
Coin Compartment	£13.96	£2.44	£16.40
Bluetooth® Hands Free System ...from	£173.67	£30.39	£204.06
iPod Interface	£238.30	£41.70	£280.00
USB Interface	£238.30	£41.70	£280.00
Combined USB/iPod Interface	£238.30	£41.70	£280.00
First Aid Kit	£17.88	£3.13	£21.01
Padded Neck Cushion	£23.43	£4.10	£27.53
Rubber Floor Mats (set of four)	£46.04	£8.06	£54.10
Textile Floor Mats (set of four)	£48.23	£8.44	£56.67
Sport Mats (set of four)	£61.37	£10.74	£72.11
Windblocker	£217.03	£37.98	£255.01
Ski Bag Holder	£120.21	£21.04	£141.25
Spare Wheel Storage Cavity Organiser	£55.48	£9.71	£65.19
Rear Seat Guard	£92.92	£16.26	£109.18
Sunglass Holder	£25.53	£4.47	£30.00

For further information and a complete list of all Volvo Accessories, take a look at the Accessory website at [www.volvocars.co.uk/accessories](http://www.volvocars.co.uk/accessories) or visit your local Volvo dealer.

## Try a C70 for yourself with Volvo Rental

Why not hire a Volvo C70 – or any other Volvo – from Volvo Rental? You'll be guaranteed to drive a Volvo prepared to the highest standards by your local Volvo dealer. Call 0800 400 430 for more information today.



## The end is just the beginning

It's a simple idea; one point of contact for all your car ownership needs – whether it's about finding the right finance deal or who to contact in an emergency. To get the most out of owning your Volvo, trust Care by Volvo.

### MAKING LIFE EASIER

Owning a Volvo should be a safe and enjoyable experience. To ensure it stays that way, we're committed to providing you with the best in support for as long as you own one.

### STARTING OFF ON THE RIGHT FOOT

You might be surprised how easy and flexible financing can be. Our range of finance, service and insurance options allows you to budget around one key factor – your lifestyle.

### FINANCE

As part of Volvo, Volvo Car Finance has developed a series of funding plans that will provide you with maximum choice and flexibility when acquiring a Volvo®. For details of the current promotions available, please visit [www.volvocars.co.uk/financepromotions](http://www.volvocars.co.uk/financepromotions)

### INSURANCE

Volvo Owners Insurance is designed for Volvo drivers and because we know Volvos inside out, we can offer exactly the right tools and expertise, fitting only genuine Volvo parts by trained Volvo technicians<sup>(i)</sup>. Because Volvo drivers have an excellent reputation, we can also offer extensive cover at a reasonable price<sup>(ii)</sup>.

Call now for your insurance quote on **0800 238 239**, quoting reference BROCH.



**WHAT NEXT?** If you'd like to find out more about the range of products and services that make up Care by Volvo, the story continues at [www.volvocars.co.uk](http://www.volvocars.co.uk). Alternatively you can contact your nearest Volvo dealer or request relevant brochures.

(i) Finance subject to status. Guarantees/indemnities may be required. Volvo Car Finance SL7 1YQ.

(ii) When using a Volvo approved repairer.

(iii) Volvo Owners Insurance is underwritten by Royal & Sun Alliance Insurance plc (No. 93792). Registered in England and Wales at St Mark's Court, Chart Way, Horsham, West Sussex RH12 1XL. Authorised and regulated by the Financial Services Authority. For your protection telephone calls will be recorded and may be monitored. All benefits are subject to qualifying status, terms and conditions, cover level and underwriting criteria. Service and repair benefits are subject to being carried out by a recommended repairer.

### SERVICE PROGRAMME

Your Volvo dealer has the unique know-how to tailor a service programme according to Volvo's strict recommendations and guarantees you years of safety and driving pleasure.

### VOLVO ON CALL

Subscribe to Volvo On Call and you'll never be completely on your own. It's a GPS-based communication system providing 24-hour access to both emergency and roadside assistance wherever you are. See the Volvo On Call brochure for more information.

### LOOKING AHEAD

You'll probably never find out just how good some of these services are. But should the unexpected happen, we'd like to think that you'd be even happier you chose a Volvo.

### ROADSIDE ASSISTANCE

Every new car comes with one year's Volvo Assistance cover. You'll enjoy free breakdown and recovery assistance, anywhere in Europe, 24 hours a day. You can even extend cover for £85 for one year or £155 for two years. Call Volvo Assistance on **08701 650 978**.

### WARRANTY

Every new Volvo comes with comprehensive protection. Our warranty covers the first three years or 60,000 miles, whichever comes first. There's a three year unlimited mileage warranty on the paintwork, and either eight or twelve years against rust perforation. If a component fails due to a defect or material fault, your dealer will swiftly rectify the problem, free of charge.

# Volvo. for life

For tax free sales, including Military, Diplomat and all other Export enquiries, contact Volvo Car UK Tourist & Diplomat Sales or Volvo Car UK British Military Sales on **01707 262 388** or e-mail to [vcukics@volvocars.com](mailto:vcukics@volvocars.com) or [bms@volvocars.com](mailto:bms@volvocars.com)

All 'On The Road' prices quoted in this price list include Volvo standard national delivery charge, inclusive of number plates at £530 and the VED (Vehicle Excise Duty) car tax as of 1st September 2008. The 'On The Road' price also includes a £55 vehicle first registration fee (as set by the government – excludes Channel Islands and Isle of Man). Retail prices quoted do not include these additions.

**NB** Some of the information in this price list may not be correct due to product changes which may have occurred since it was printed. Before ordering, please ask your Volvo dealer for the latest information. The manufacturer reserves the right to make changes at any time, without notice, to prices, colour, materials, specifications and models.