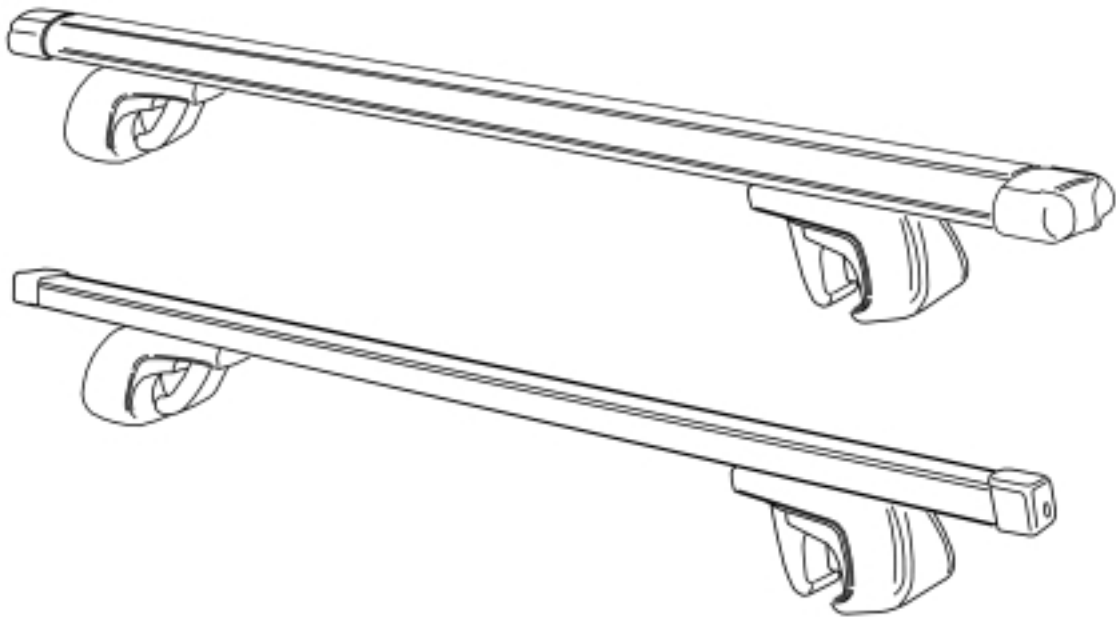


Section	Group	Weight (Kg/Pounds)	Year	Month
8	89		2001	01

Replaces issue: 1999 09

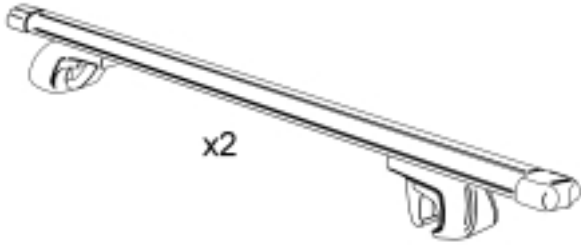
Load carriers for rails



M8901683



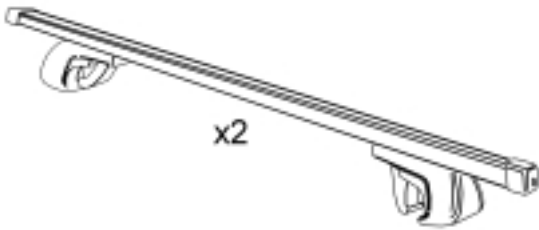
A0000162



x2



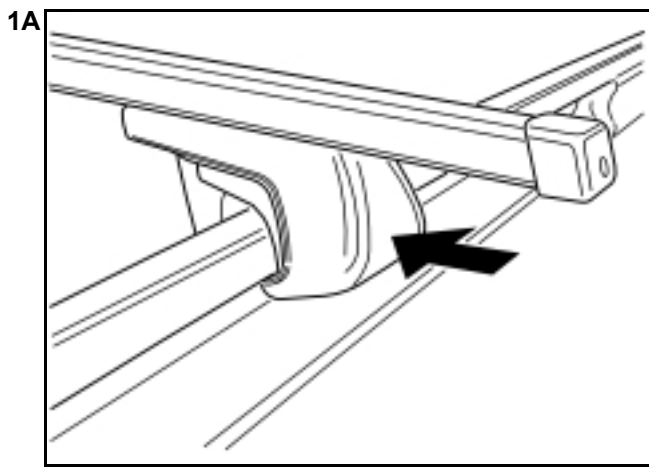
M8902358



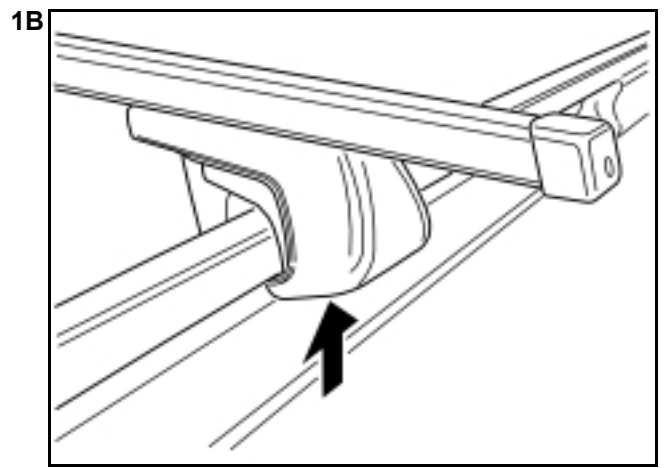
x2



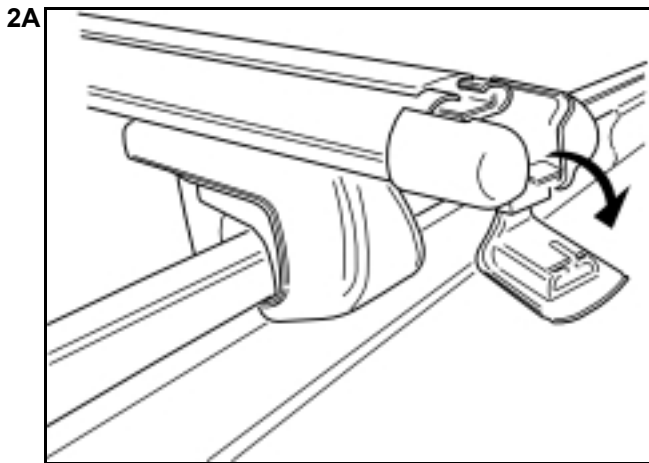
M8902357



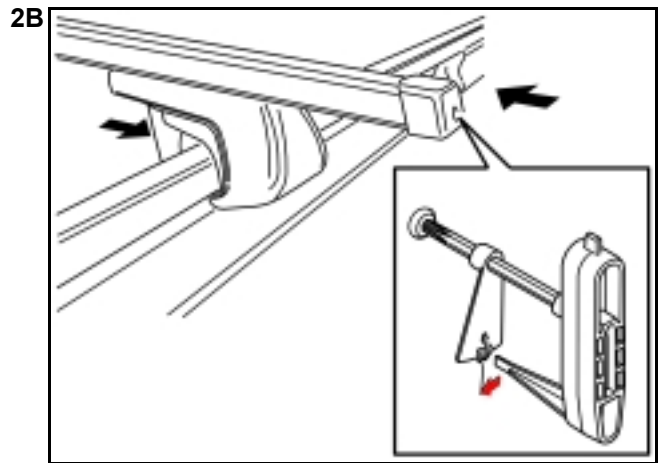
M8901685



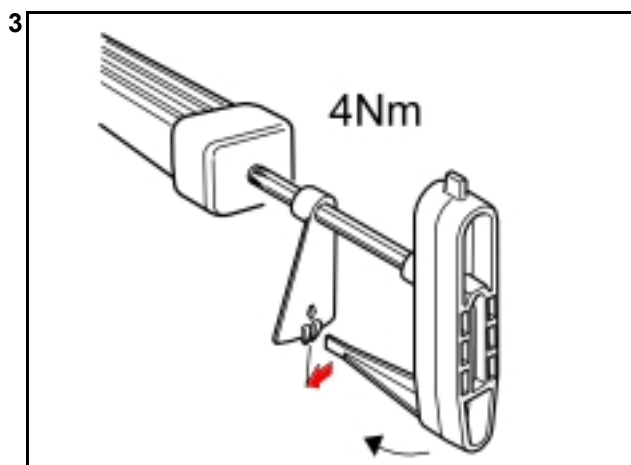
M8901723



M8901687



M8901686



M8901688

English

INTRODUCTION

- **NOTE! Read through the entire text before carrying out any work.**
- The front page gives the date of this edition and the edition it replaces
- The second page shows the tools needed for the installation and the contents of the installation kit
- The illustrations display the procedure in order of operation. The order of operation is repeated in the text section
- Cut out the text page in order to follow the illustrations and text at the same time.

Load carriers for rails

- 1 Applies to both types of load carriers**
 - Position the load carrier on the rails for the car. Ensure that the load carrier is symmetrical. (Positioned so that the ends protrude the same distance from the mountings on both sides)
 - Adjust the position of the load carrier before mounting. Press the mountings inwards and upwards as illustrated.
- 2 Illustration A applies to load carriers with T-grooves**
 - Open the cover on the end of the load carrier to access the screw.

Illustration B applies to both types of load carriers

 - Insert a torque wrench in the end of the load carrier. Tighten until the mountings encircle the rails
 - Repeat the operation on the other mountings.
- 3 Applies to both types of load carriers**
 - Tighten the screws in the ends of the load carriers until the indicator on the wrench handle is in between the two markings. The correct torque of **4 Nm (3 lbf.ft.)** has then been reached.
- 4 Applies to load carriers with T-grooves**
 - Fold the cover back into place on the end.