



Installation instructions, accessories

Volvo Car Corporation
Göteborg, Sweden

850 / 960 / C70 / S70 / V70 (-00)

S60 / V70 (00-) / V70 XC (01-) / S80 / S90 / V90

Section	Group	Weight (Kg/Pounds)	Year	Month
3	39		2000	04

CD-box (in the glove compartment)

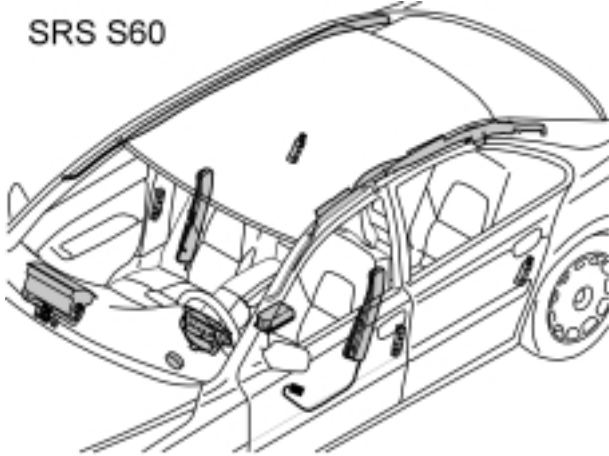


A0000162



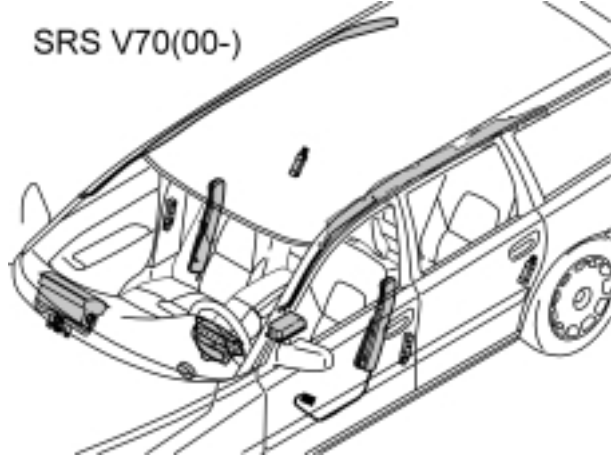
A0000163

SRS S60



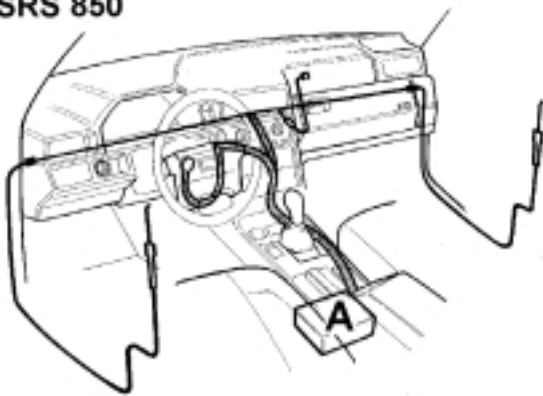
M8802509

SRS V70(00-)



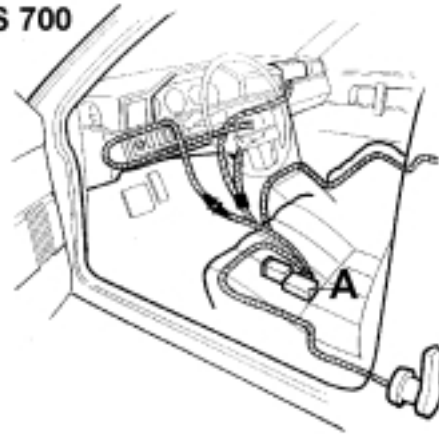
M8802108

SRS 850

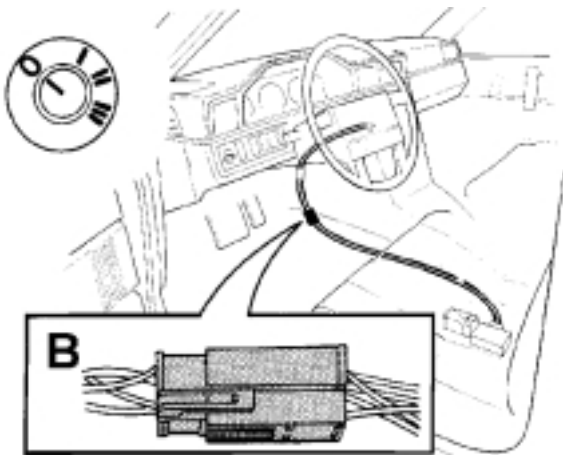


S8802511

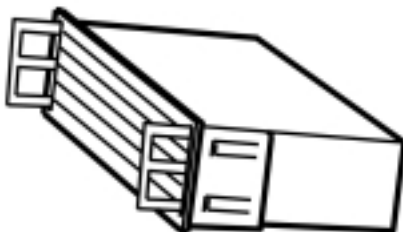
SRS 700

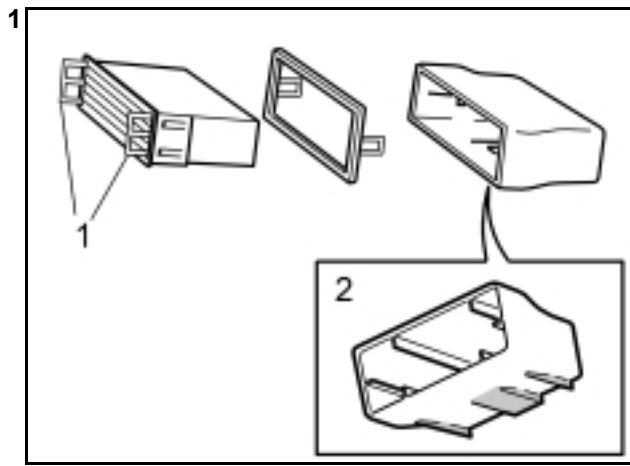


S8802510

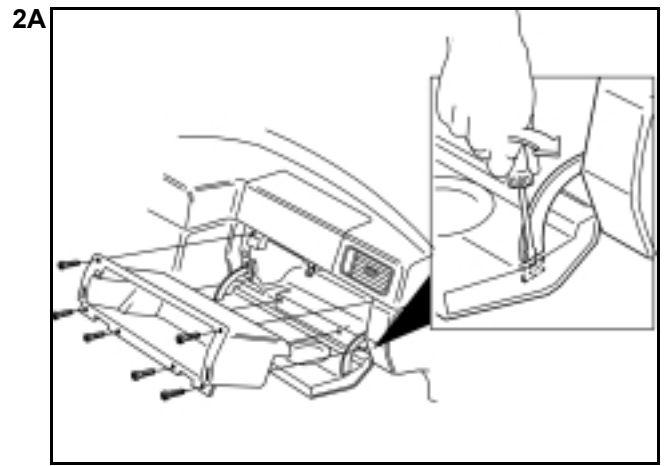


S8802521

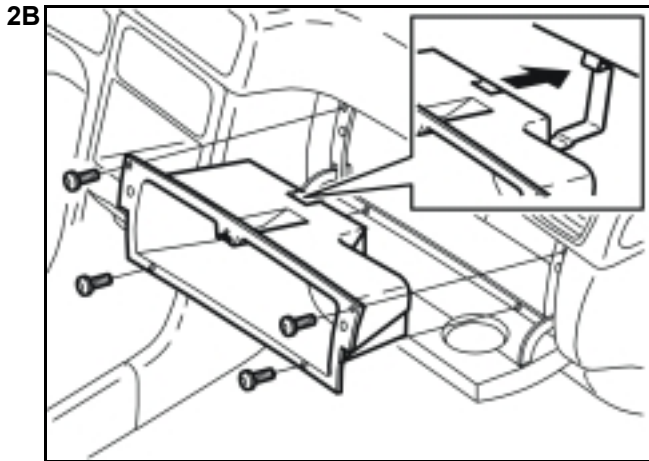




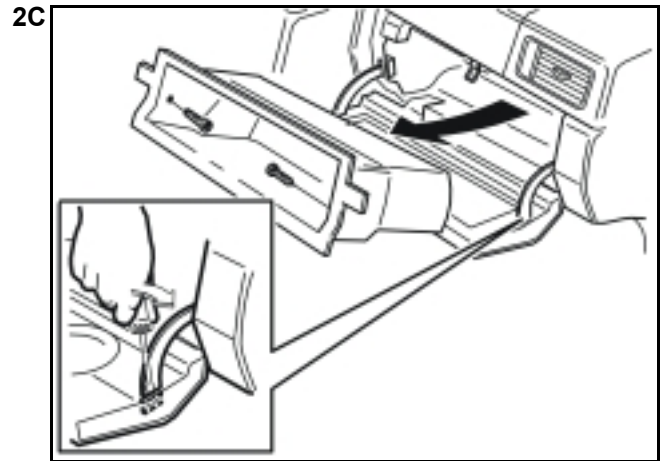
A8901294



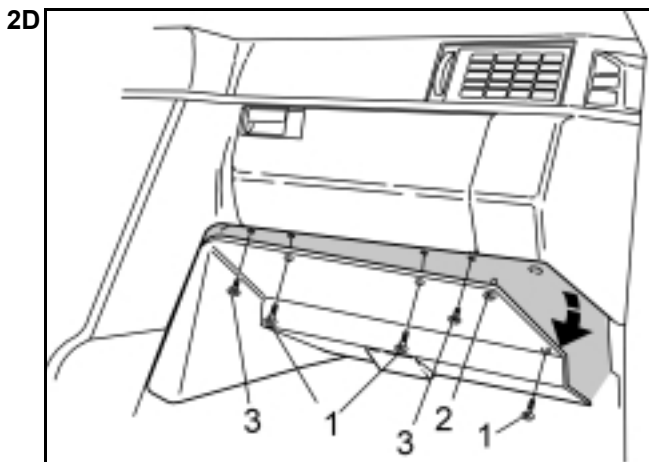
A8800034



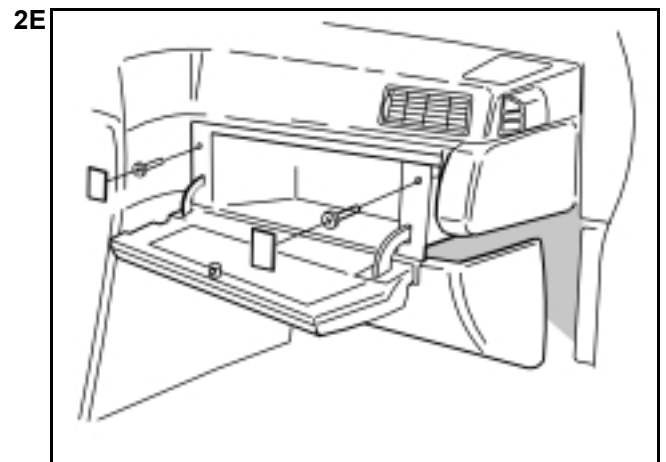
A8502171



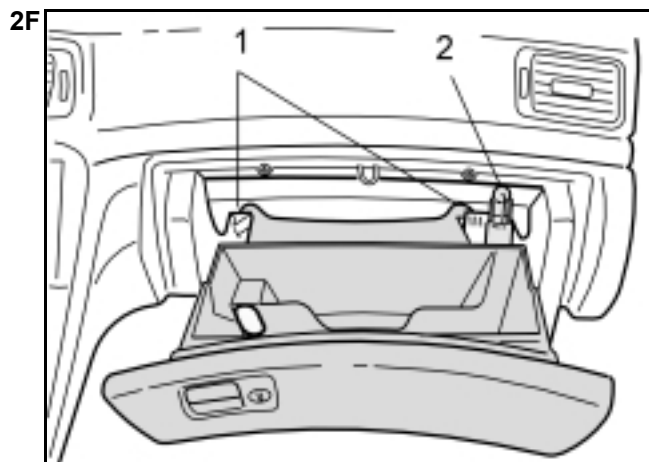
A8502172



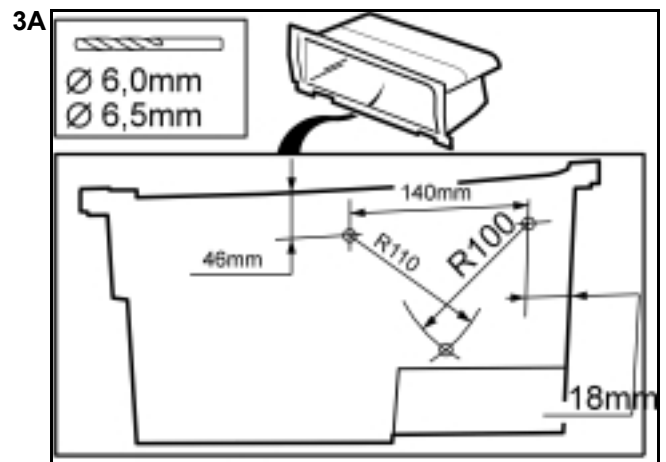
A8502246



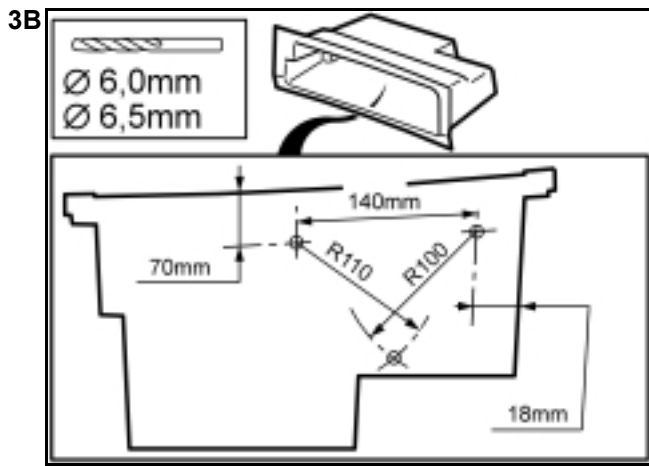
A8502247



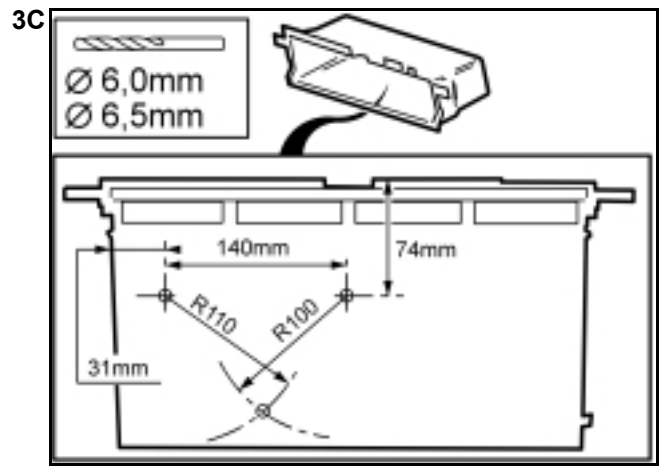
D8502541



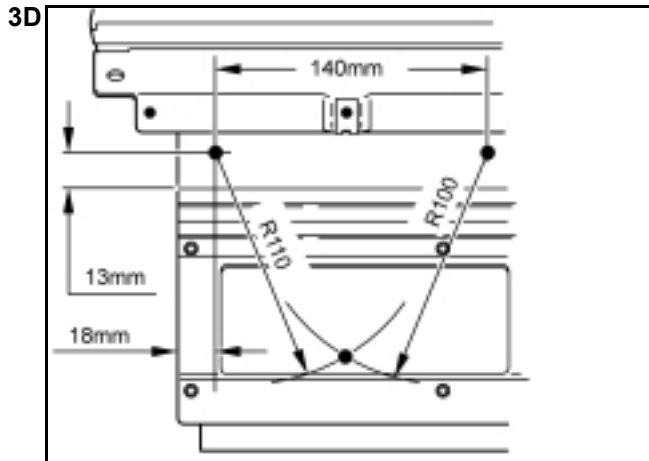
A8502174



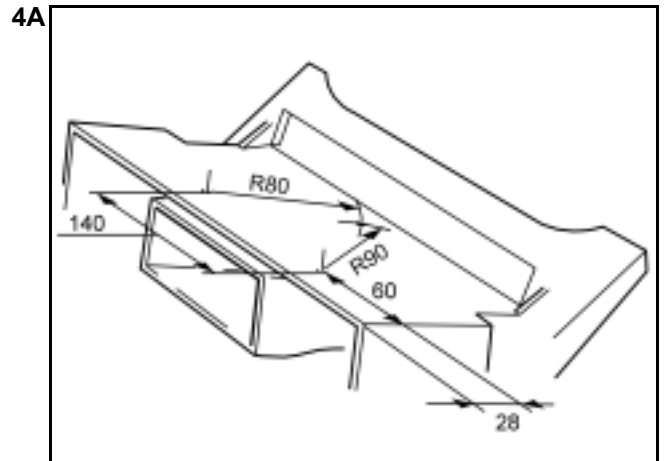
A8502175



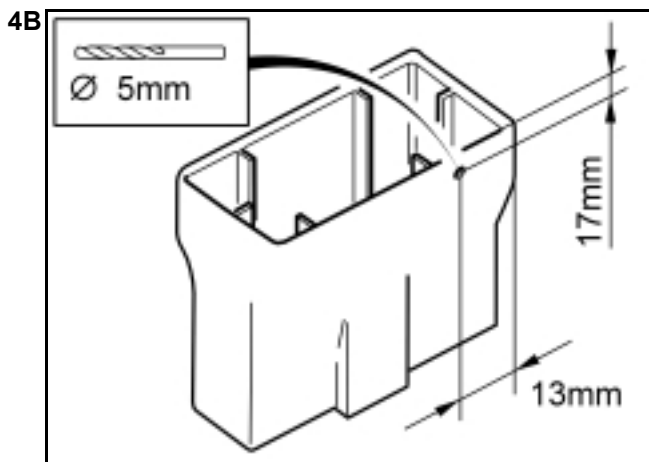
A8502173



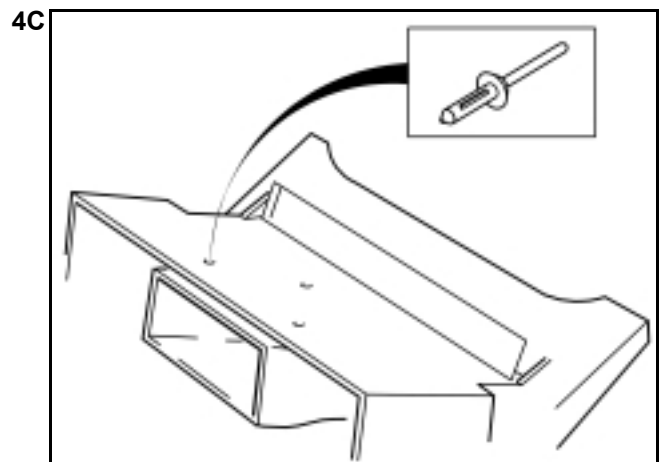
A8502252



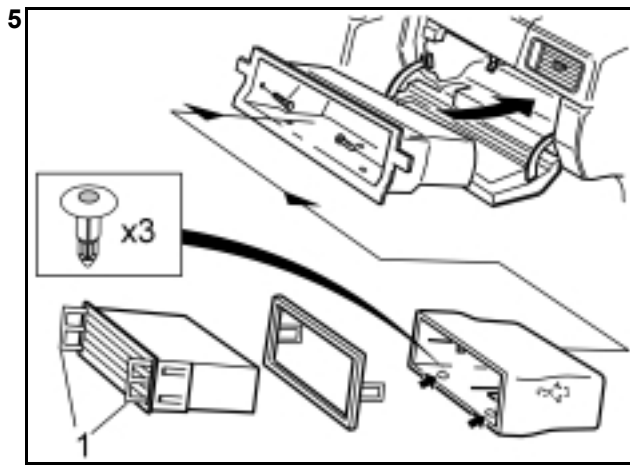
M8503103



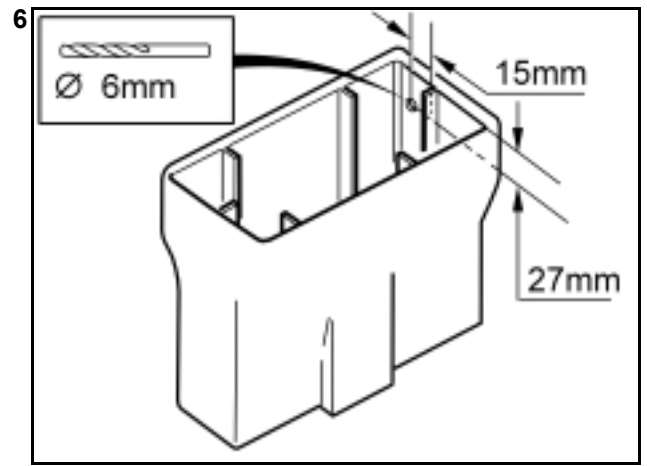
D8502540



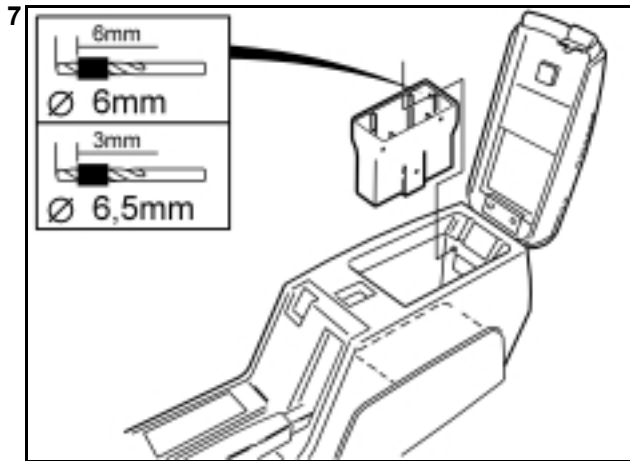
M8503104



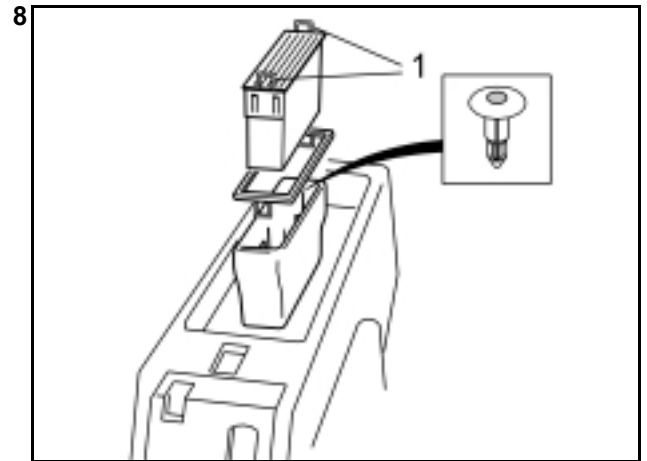
A8502176



A8502462



A8502463



A8502464

English

INTRODUCTION

- **NOTE!** Read through the entire text before carrying out any work.
- The front page gives the date of this edition and the edition it replaces
- The second page shows the tools needed for the installation and the contents of the installation kit
- The illustrations display the procedure in order of operation. The order of operation is repeated in the text section
- Cut out the text page in order to follow the illustrations and text at the same time.

Cars equipped with SRS/SIPS (Airbag)

WARNING! Extra care must be taken when working on cars equipped with SRS/SIPS air bags. This is important to prevent:

1. Personal injury
2. Damage to or malfunction of the SRS/SIPS system.

Work on the SRS/SIPS systems or related components must be carried out by an authorised Volvo workshop.

Is the car equipped with SRS/SIPS?

Cars with SRS are most easily recognised by the letters SRS on the steering wheel pad. If the car also has an airbag on the passenger side, the letters SRS are embossed on the dashboard above the glove compartment. SIPS decals are located on the seat panels and the windscreen.

Do not damage the SRS wiring!

Do not trap, fray, pierce or damage the SRS wiring. SRS wiring has orange casing and/or is plaited.

Steering and front suspension

The contact reel in the SRS system can easily be damaged when working on the steering wheel, steering shaft or steering gear. Refer to the SRS Service Manual for information on carrying out such work. This is to prevent damage.

SRS warning lamp

If the SRS warning lamp lights after repairs have been carried out, take the car to an authorised Volvo workshop.

SRS collision sensor control module

S60 / V70 (00-) / S80

The collision sensor control module is located on the transmission tunnel in the centre console, beside the parking brake. The air bag inflation areas must not be obstructed. Never place any objects, such as upholstery, within these areas. The panels must be able to open in the correct way and at the right time.

WARNING!

The ignition must be in position "0" and the key removed from the ignition if any connector in the SRS system is to be disassembled. Then wait at least five minutes.

Then disconnect the battery negative lead before disassembling any of the connectors.

CD box (in the glove compartment)

Preparations

- 1 – Separate the CD-bracket, the frame and the CD holder. Release the circlips (1) on the CD holder.

Installing in the glove compartment

- 2 **Illustration A applies to the 850**

Illustration B applies to the C70, S70 and the V70 (-00)

Illustration C applies to the 960, S90 and the V90 with passenger side airbags

- Open the glove compartment.
- Remove the holders for the cover for the glove compartment.
- Remove the screws from the glove compartment. Pull the glove compartment out.

Illustration D and E applies to the 960, S90 and the V90 without passenger side airbags

- Remove the screws (1).
- Remove the clip (2).
- Remove the screws (3).
- Remove the trim cover and the screws.
- Remove the glove compartment by pulling the glove compartment to the right and backwards.

Illustration F applies to the S60, V70 (00-) and the S80

- Open the glove compartment.
- Carefully pull the catches (1) backwards until they release.
- Pull off the spring holder from the upper mounting (2).

3 Applies to the 850, C70, S70, V70(-00), 960, S90 and V90

Illustration A applies to the 850

Illustration B applies to the C70, S70 and the V70 (-00)

Illustration C applies to the 960, S90 and the V90 with passenger side airbags

Illustration D applies to the 960, S90 and the V90 without passenger side airbags

- Measure as illustrated and mark up for holes on the underneath of the glove compartment.
- Drill out the holes. Use a Ø6 mm (15/64") drill bit.
- Position the CD bracket in the glove compartment so that the guides are against the bottom of the glove compartment.
- Mark the holes on the CD bracket using the drilled holes in the glove compartment as a guide.
- Drill out the holes in the CD bracket. Use a Ø6 mm (15/64") drill bit.
- Remove the CD bracket.
- Drill out the holes in the glove compartment. Use a Ø6.5 mm (1/4") drill bit.

4 Applies to the S60, V70 (00-) and the S80

Illustration A

- Measure and drill holes in the glove compartment. Use a Ø5 mm (13/64") drill bit.

Illustration B

- Measure and drill the hole in the CD storage box. Use a Ø5 mm (13/64") drill bit.

Illustration C

- Position the CD storage box in the glove compartment. Install a rivet as a guide by hand. Do not rivet into place.
- Hold the opening of the CD storage box parallel with the edge of the glove compartment. Drill the next hole in the CD storage box using the glove compartment as a template.
- Install a rivet by hand in the new hole. Do not rivet into place.
- Drill the last hole in the CD storage box using the glove compartment as a template.
- Remove the CD storage box.

5 Install:

- the glove compartment.
- the CD bracket in the glove compartment. Use the supplied clips.
- the frame on the CD bracket.
- the CD holder in the CD bracket. Ensure that the covers for the CD compartment on the CD holder hang downwards at the open position. Press in the catches (1).

Applies to the S60, V70 (00-) and the S80

- Clean the mating surfaces.
- Rivet the CD storage box and the glove compartment together.
- Install the frame.
- Install the CD compartment. Press in the catches (1) (see illustration 2F).
- Install the spring holder (2) in the upper mounting (see illustration 2F).
- Close the glove compartment.

Installing in the centre console

6 Applies to the 960 S90 and the V90

- Measure as illustrated. Mark up for holes in the inside of the CD bracket.
- Drill out the holes. Use a Ø6 mm (15/64") drill bit.

7

– Position the CD bracket in the centre console. Position the guides towards the driver's seat.

- Use the CD bracket as a drilling template. Drill a hole using a Ø 6 mm (15/64") drill in the centre console compartment. Use a 6 mm (15/64") drill stop.
- Remove the CD bracket. Drill out the hole in the centre console using a Ø 6.5 mm (1/4") drill bit. Use a 3 mm (1/8") drill stop.

8

- Install the CD bracket in the centre console using the supplied clips.
- Install the frame on the CD bracket
- Install the CD holder in the CD bracket. Press in the catches (1).