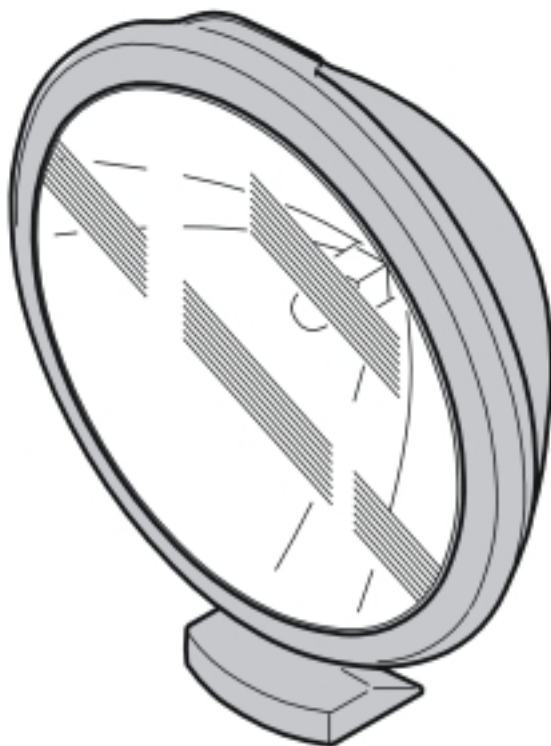
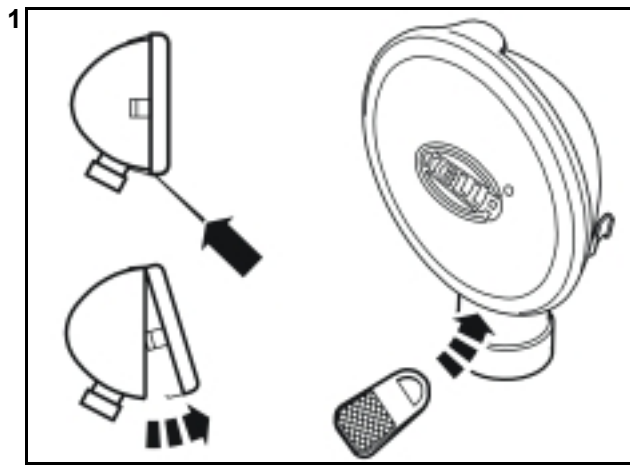


Section	Group	Weight (Kg/Pounds)	Year	Month
3	35		2002	11

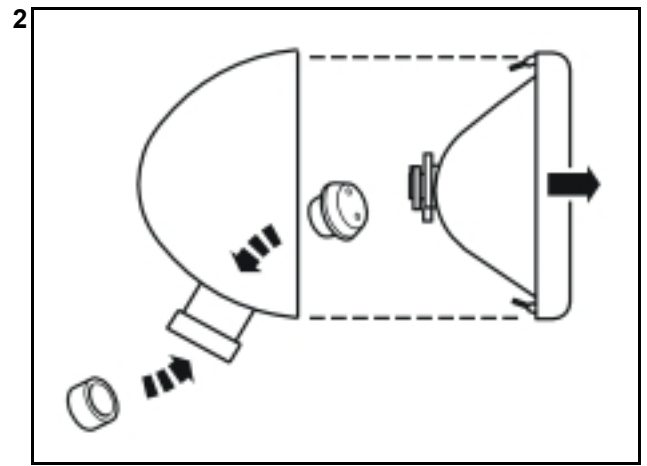
Auxiliary spotlamps



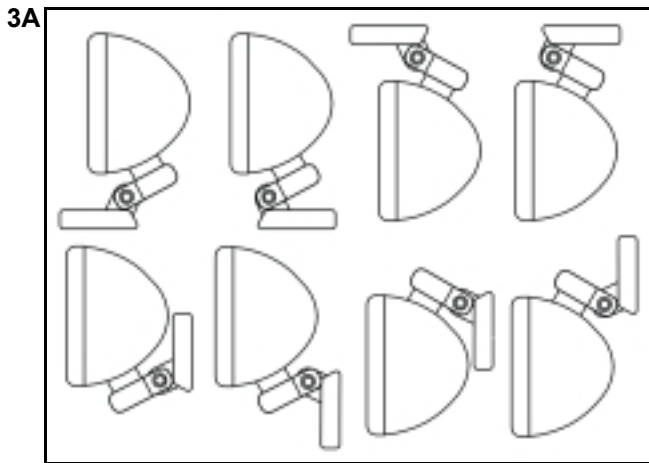
R3501564



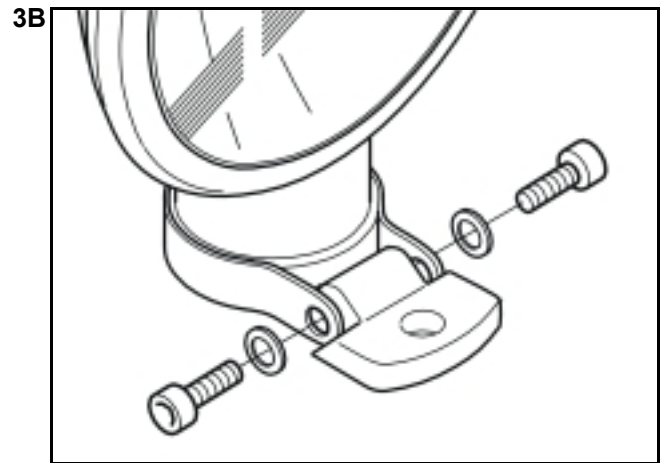
R3501567



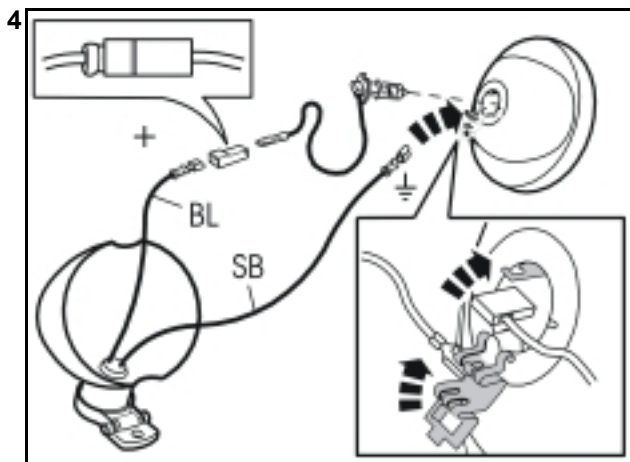
R3501568



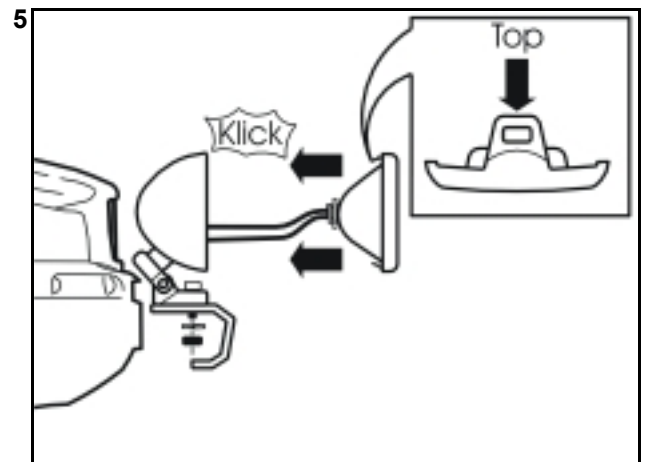
R3501569



R3501570



R3501571



R3501575

English

INTRODUCTION

- **NOTE! Read through the entire text before carrying out any work.**
- The front page gives the date of this edition and the edition it replaces
- The second page shows the tools needed for the installation and the contents of the installation kit
- The illustrations display the procedure in order of operation. The order of operation is repeated in the text section
- Cut out the text page in order to follow the illustrations and text at the same time.

Auxiliary spotlamps

- 1** – Pry the light insert from the lamp housing using the tool supplied.
- 2** – Install the rubber grommet and the metal ring on the lamp housing.
- 3**
Illustration A
The spot lamp can be installed in several different ways. See the illustration.
Illustration B
 - Install the mounting in the required way on the lamp housing. Use two screws and two washers.
- 4**
 - Insert the cables through the lamp housing
 - Install the flat pin contactors on both the cables
 - Supply the blue cable (BL) with a socket housing to prevent short-circuits
 - Connect the blue cable (BL) to the cable for the lamp
 - Connect the black cable (SB) to ground on the light insert.
- 5**
 - Assemble the light insert and the lamp housing. Carefully stretch the cables
 - Install the spot lamp on the bracket.