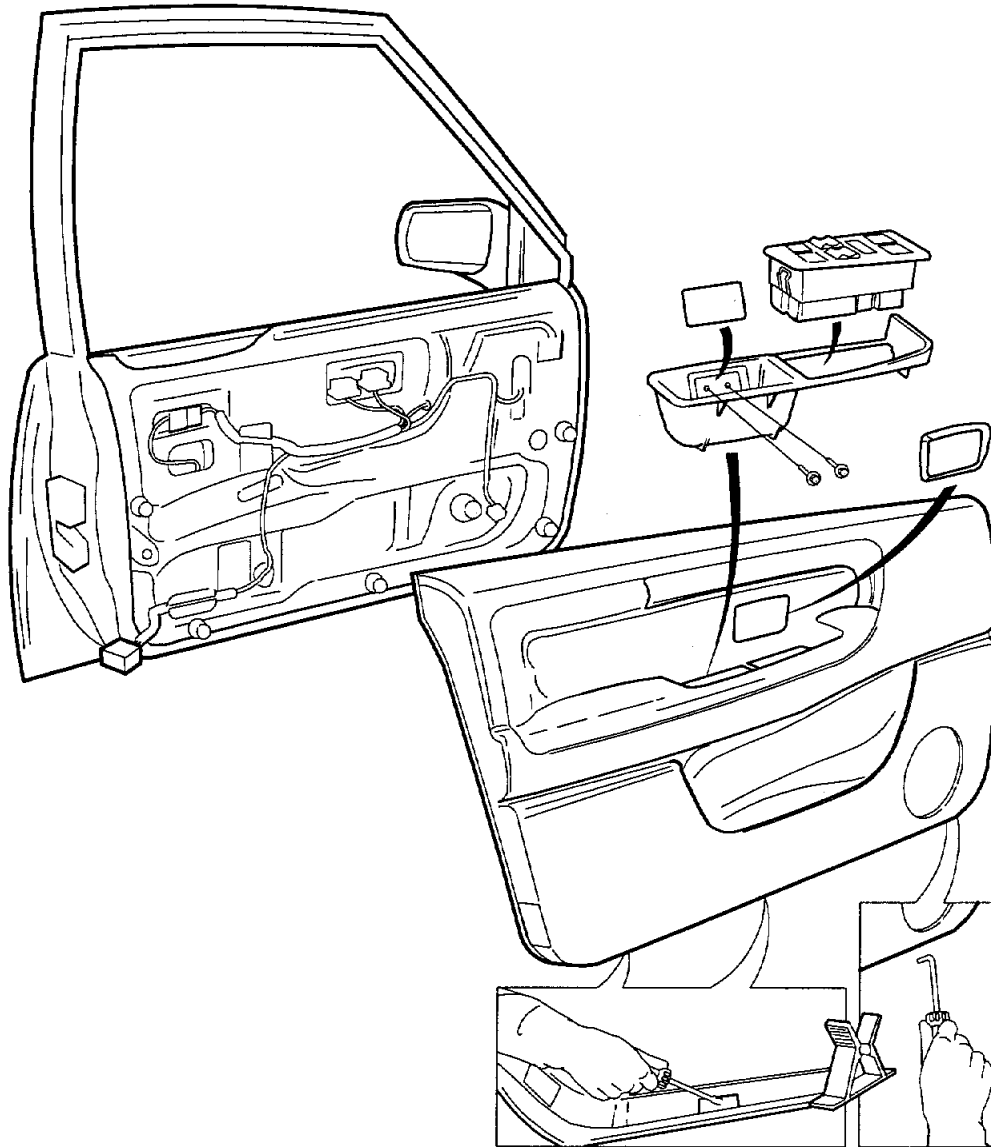
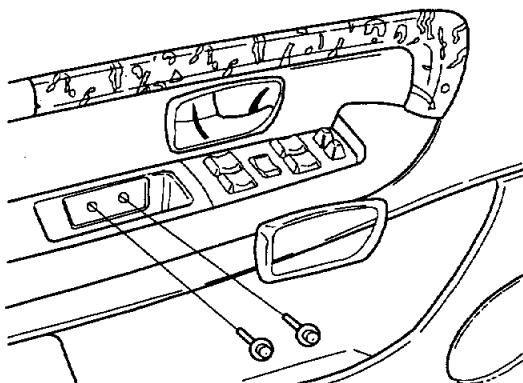


Removing door panel, front door, 960 1995-



8300239A

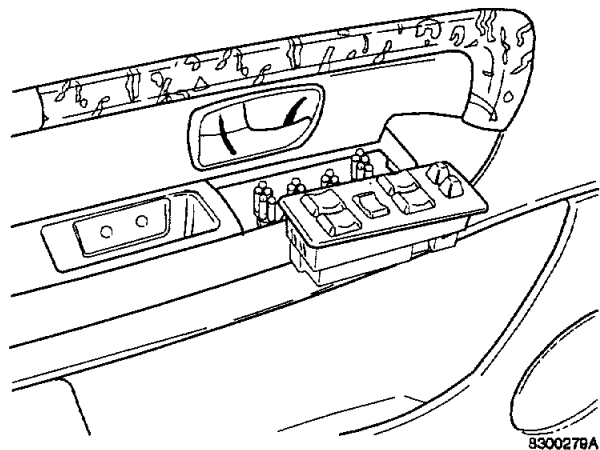
BA4



8300278A

Remove:

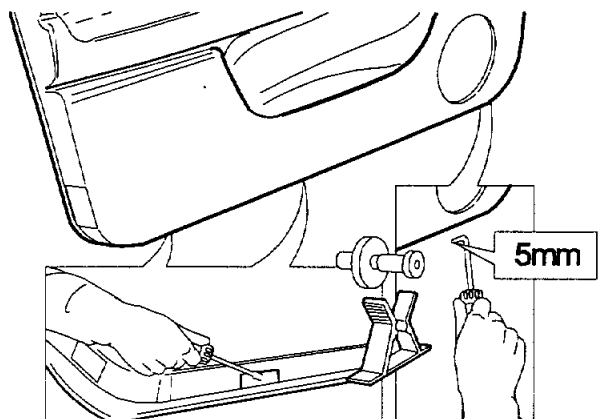
- rim around interior door opener (see fig.).
Use a bone knife.
- cover in handle (see fig. above).
Use a bone knife.
- screws under cover (2) (see fig.).



8300278A

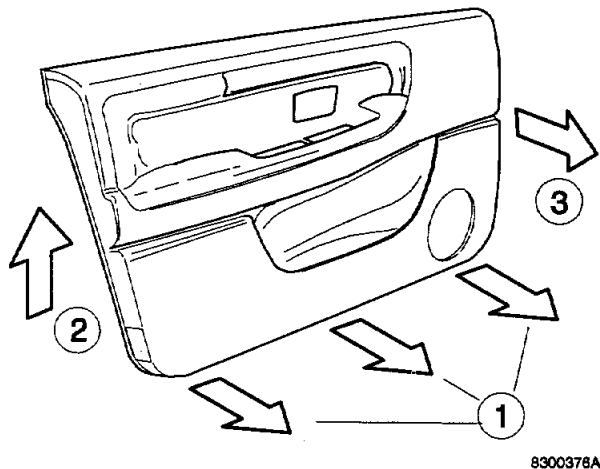
- control panel for window lifts and electrically operated mirrors (see upper fig.)

- door warning light.
Use a bone knife.



8300280A

- clips in lower edge (3).



8300378A

Pull bottom of panel outwards (1).

Press panel upwards at rear edge (2).

Loosen panel by pulling outwards at front edge (3).

Remove cables from door seal.

Loosen door seal at top and bend downwards.

Note: The three clips at the bottom of the door seal must not be removed.

BA5

Install:

In reverse order.

Door locks, front doors 960, 1995-

Inside door opener, front doors, 960, 1995-, replacement

Lock is the same as on earlier models.

Operation differs in that a cable is used instead of a link rod.

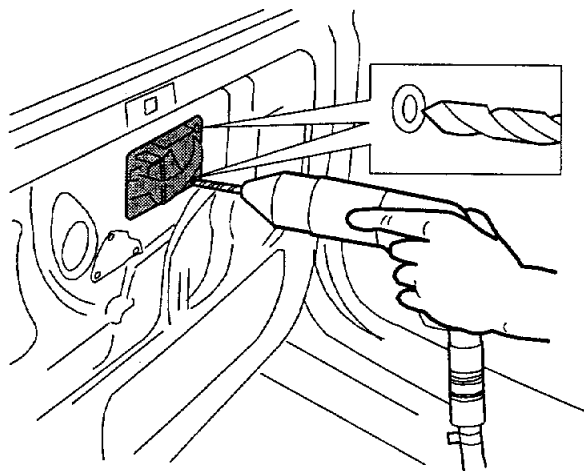
Replacement: door opener/cable

Remove panel (as per BA4).

BC4

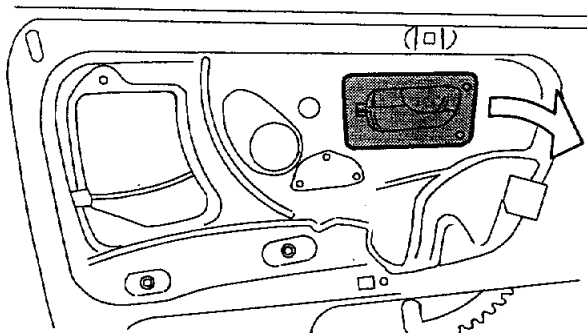
Remove inner door opener control.

BC5



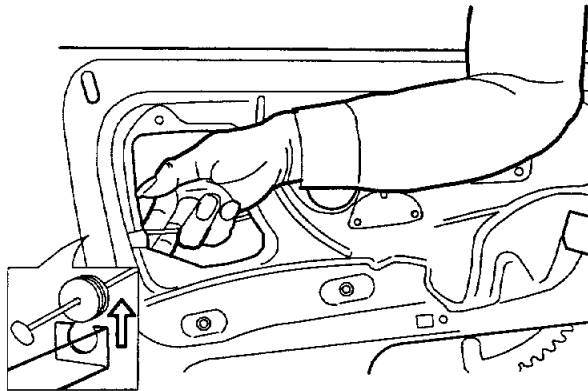
8300236A

Drill out rivets retaining door opener control front edge in door, using 6 mm bit.



Tilt the door opener control outwards (see fig.).

8300237A



Bend cable out of bracket at lock by hand.

Remove cable attachment from lock bracket.
(Small inset in figure.)

Remove inner door opener and cable.

8300238A

BC6

Install:

In reverse order.

Use new pop rivets.

Cable, replacement/component parts in inside door opener, replacement

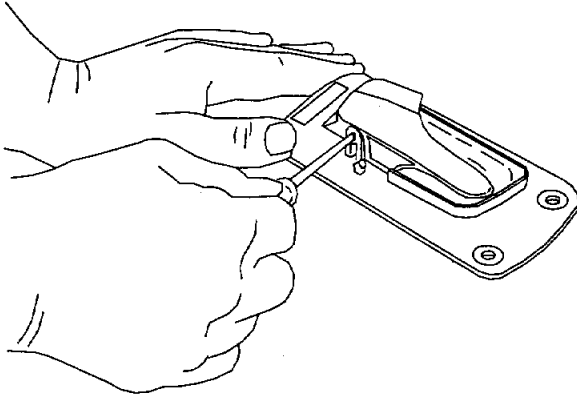
BC7

Remove:

- inner door opener with cable (as per BC4-BC5).

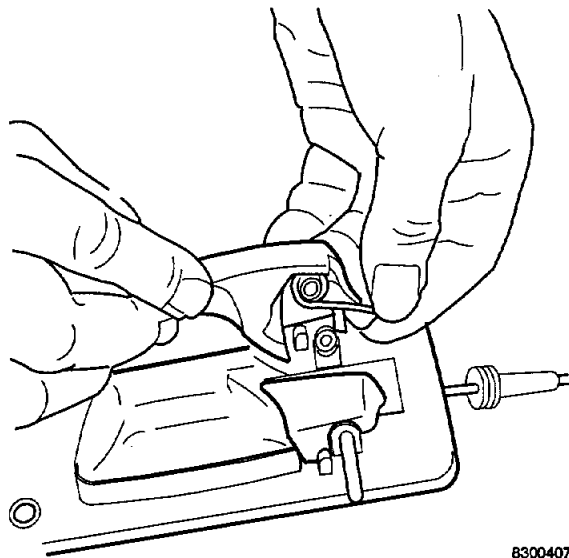
Loosen pin which retains both locking buttons with a mandrel.

Hold down with index finger so that spring does not shoot out both locking buttons.



8300417A

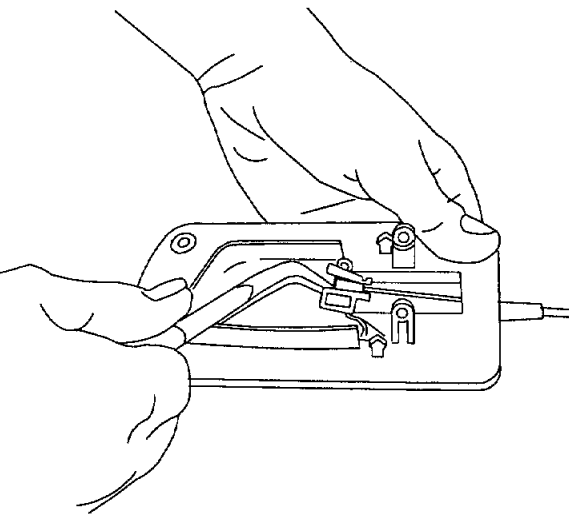
- spring.
- button that guides door lock.
- button that blocks lock in locked position.



8300407A

Pry out pin to loosen cable from control plate.

Use screwdriver and pliers.



8300413A

Remove counterhold.

Remove cable

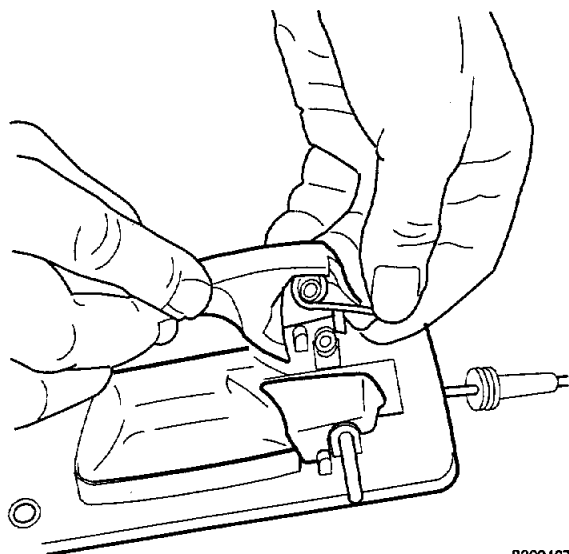
BC9

Install:

- new cable in control plate.
- counterhold.
- pin for lock
(push in by hand).

Place counterhold in its slot

Press it to its rearmost position.



8300407A

- spring in locking button that blocks lock.
- locking button in position.
- locking pin.

Secure the uppermost locking button by pushing down pin halfway.

– spring in the locking button that guides door lock.

– locking button in position.

Knock pin in position.

– inner door opener and cable in door (as per BC5).

