

WIPER/WASHER SYSTEM

1995 Volvo 850

1995-96 ACCESSORIES & EQUIPMENT
Volvo Wiper/Washer Systems

850

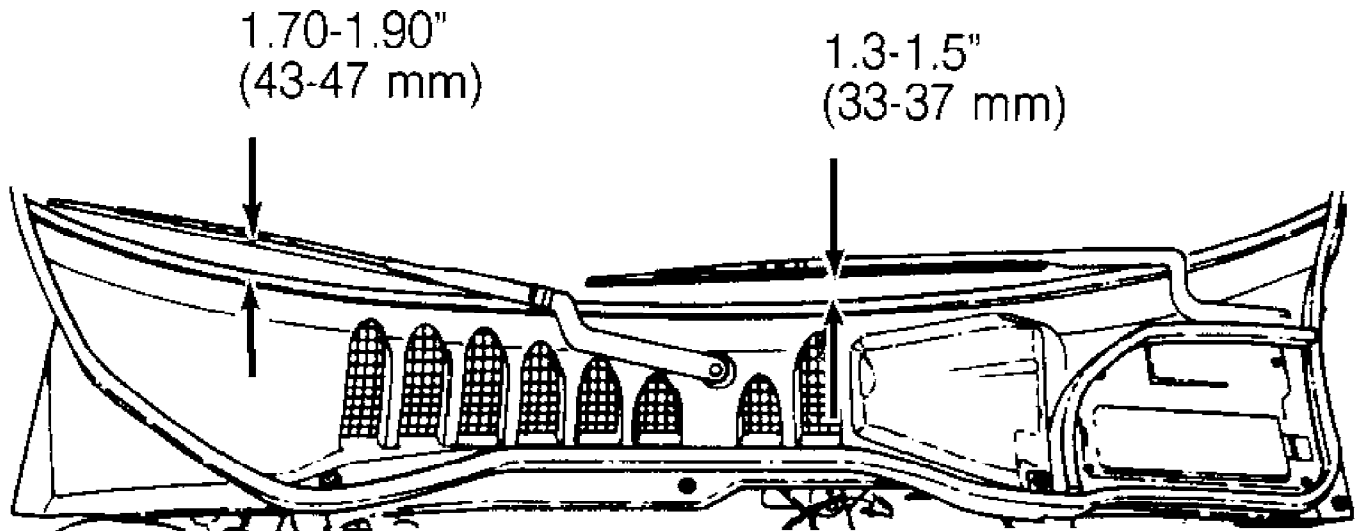
DESCRIPTION & OPERATION

All models are equipped with a 2-speed front wiper motor with an intermittent feature. Wagon models are equipped with a rear wiper/washer system.

ADJUSTMENTS

WIPER ARM ADJUSTMENT

For wiper arm adjustment, refer to illustration. See Fig. 1.



93H82229

Fig. 1: Adjusting Wiper Arms
Courtesy of Volvo Cars of North America.

REMOVAL & INSTALLATION

FRONT WIPER MOTOR

NOTE: On 850, wiper motor is removed along with wiper assembly.

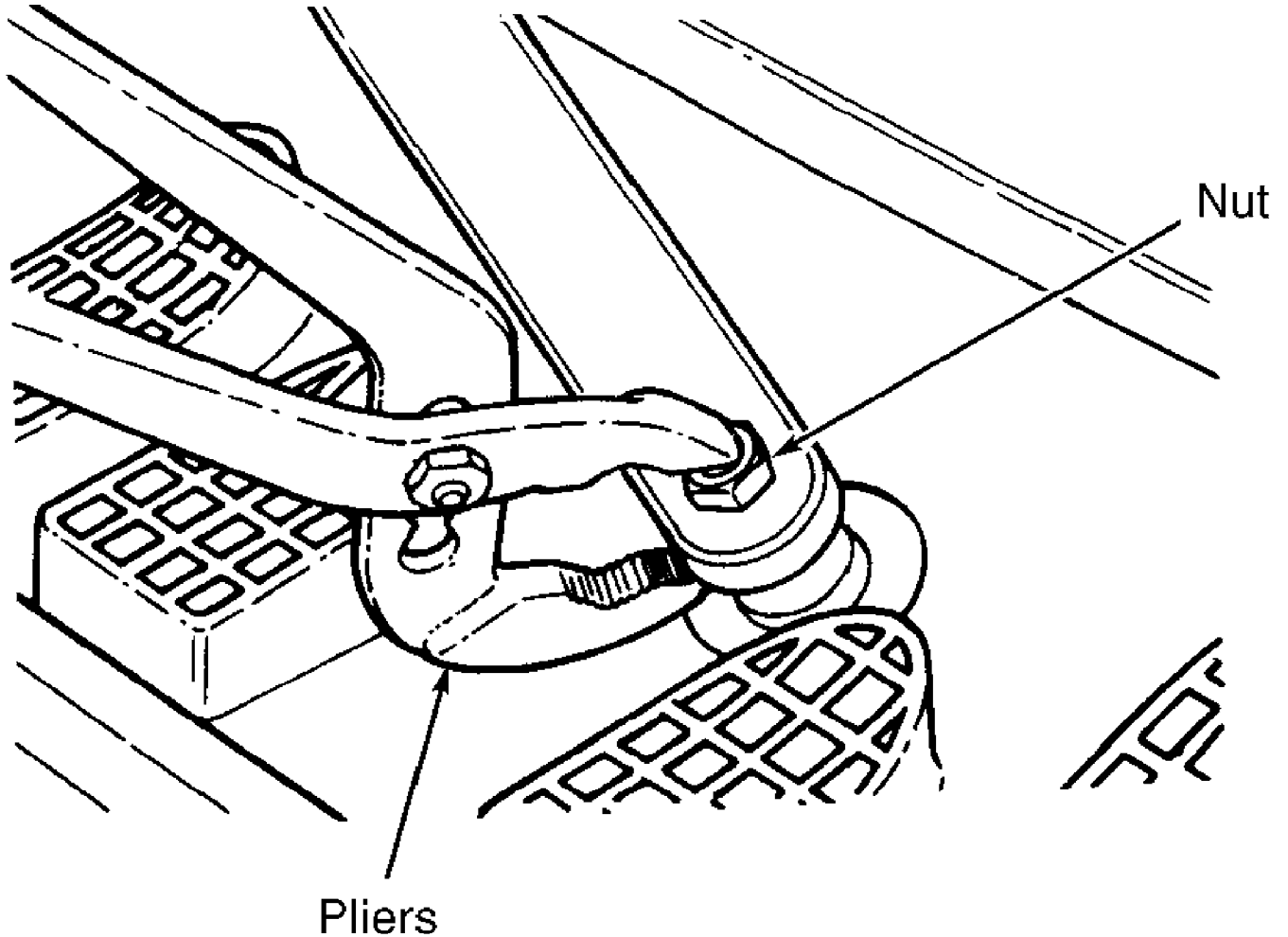
Removal & Installation

1) Disconnect negative battery cable. Disconnect negative battery cable. Ensure motor is in end (parked) position. Remove wiper arms by loosening wiper arm nut. Release wiper arm from splines. Using pliers, lever against nut and press arm up. See Fig. 2. Ensure nut is left in position to protect threads. Remove nut and arm.

2) Remove 5 screws securing cover plate on cowl. See Fig. 3. Disconnect 2 drainage tubes. Remove cover plate from cowl. Remove 2 bolts securing wiper assembly. See Fig. 4. Pull assembly outward to release it from socket. Disconnect electrical connectors. Remove wiper

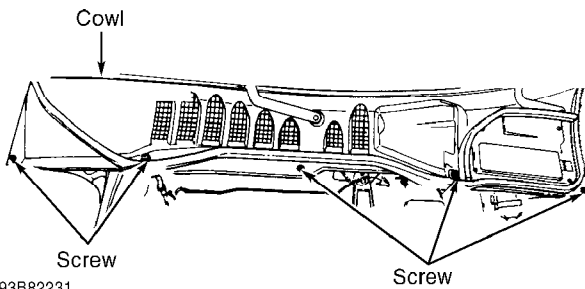
assembly.

3) Turn wiper assembly upside down. Mark and remove connecting rod. Remove 3 bolts securing motor to wiper assembly and remove motor. Before installing new motor, ensure it is in end position. To complete installation, reverse removal procedure.



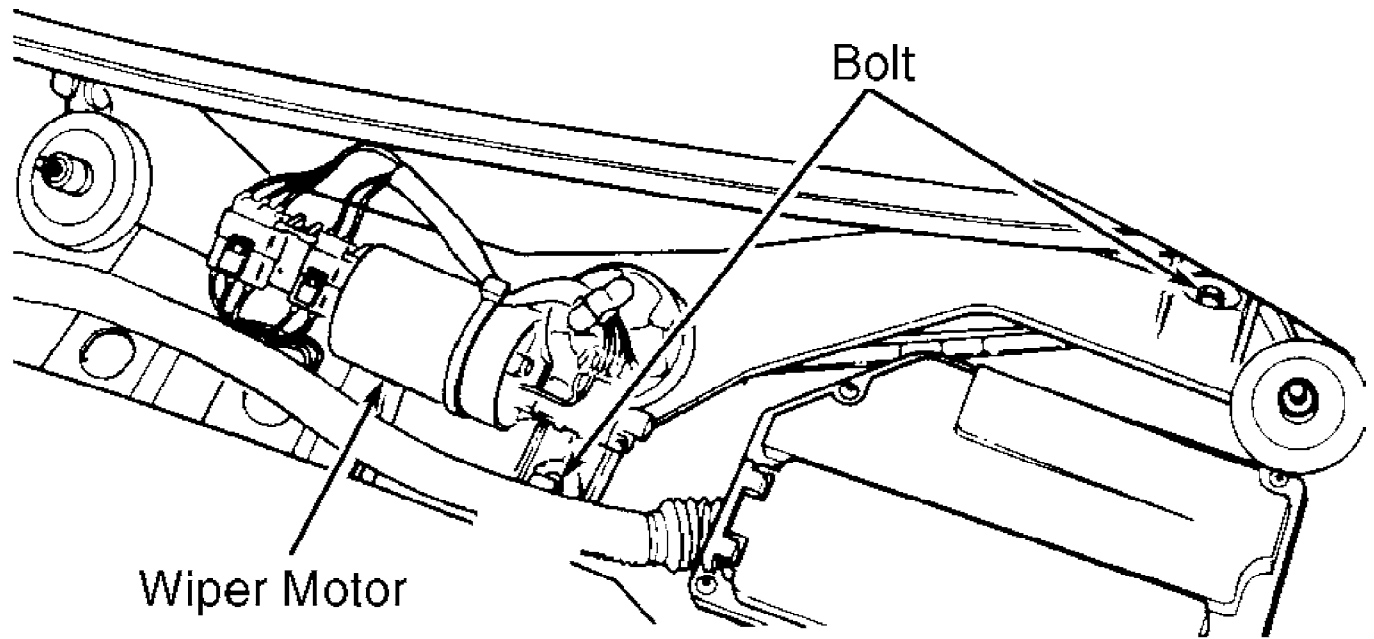
93A82230

Fig. 2: Removing Wiper Arm
Courtesy of Volvo Cars of North America.



93B82231

Fig. 3: Removing Cover Plate Screws
Courtesy of Volvo Cars of North America.



93C82232

Fig. 4: Removing Wiper Assembly Bolts
Courtesy of Volvo Cars of North America.

FRONT & REAR WIPER RELAY

Removal & Installation

Wiper relay is located in relay box under left side of instrument panel.

FRONT & REAR WIPER SWITCH

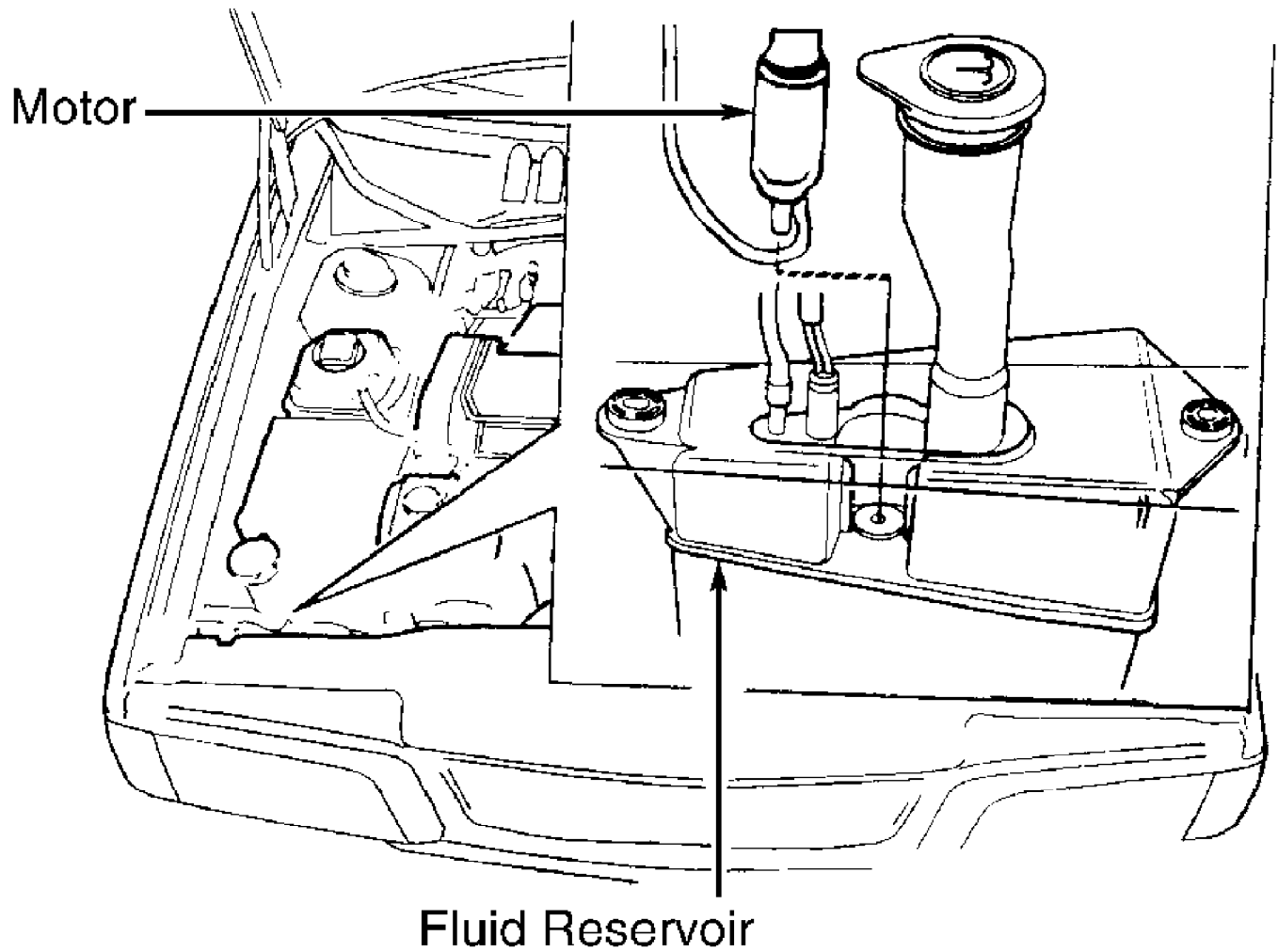
Removal & Installation

Remove steering wheel. See STEERING WHEEL & HORN under REMOVAL & INSTALLATION in STEERING COLUMN SWITCHES article. Disconnect electrical connector. Remove wiper switch retaining screws. To install, reverse removal procedure.

FRONT & REAR WASHER MOTOR

Removal & Installation

Washer motor is located on washer fluid reservoir, in right front corner of engine compartment. Disconnect electrical connector and lift motor off reservoir. See Fig. 5. Disconnect fluid lines. To install, reverse removal procedure.



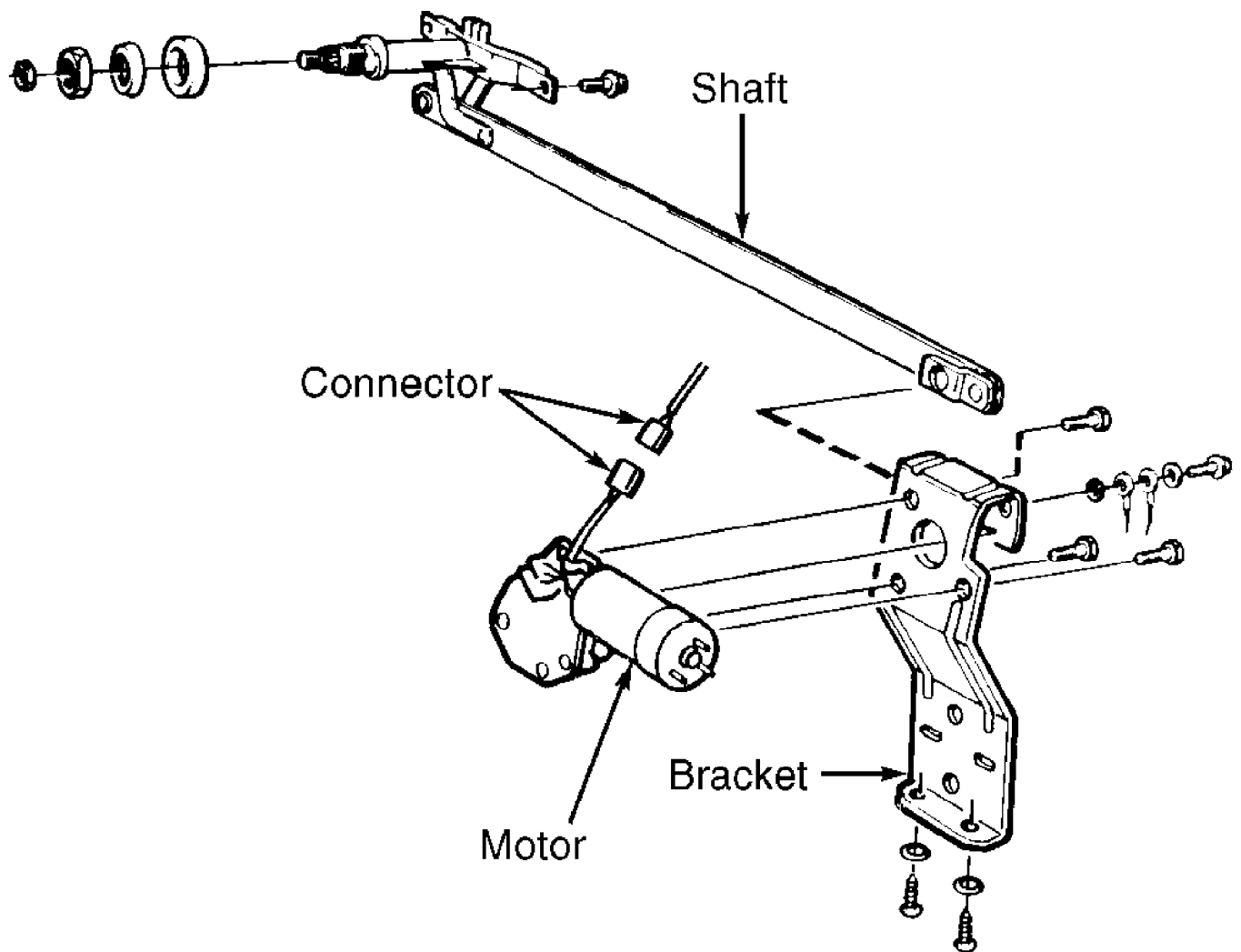
93D82233

Fig. 5: Removing Washer Motor
Courtesy of Volvo Cars of North America.

REAR WIPER MOTOR

Removal & Installation

For rear wiper motor removal and installation, refer to illustration. See Fig. 6.



92C01963

Fig. 6: Removing Rear Wiper Motor
 Courtesy of Volvo Cars of North America.

HEADLIGHT WIPERS

Removal & Installation

1) Lift cover of wiper arm holder. Loosen nut a few turns, but leave on threads. Disconnect wiper arm from splines. Using pliers, lever against nut and press arm upward. Ensure nut is left in position to protect threads. Remove nut and arm. Disconnect fluid supply tube.

2) To install, reverse removal procedure. Ensure wiper blade on right side of vehicle is below stop when nut is tightened. After nut is tightened, lift blade over stop. Blade should rest lightly on stop. Blade on left side of vehicle should be above stop when nut is tightened.

HEADLIGHT WIPER MOTOR

Removal & Installation

Disconnect negative battery cable. Remove wiper arms. See HEADLIGHT WIPERS under REMOVAL & INSTALLATION. Remove trim strip below headlight. Remove 2 screws securing motor holder. Disconnect

electrical connector. Working from inside engine compartment, remove wiper motor. To install, reverse removal procedure.

WIRING DIAGRAMS

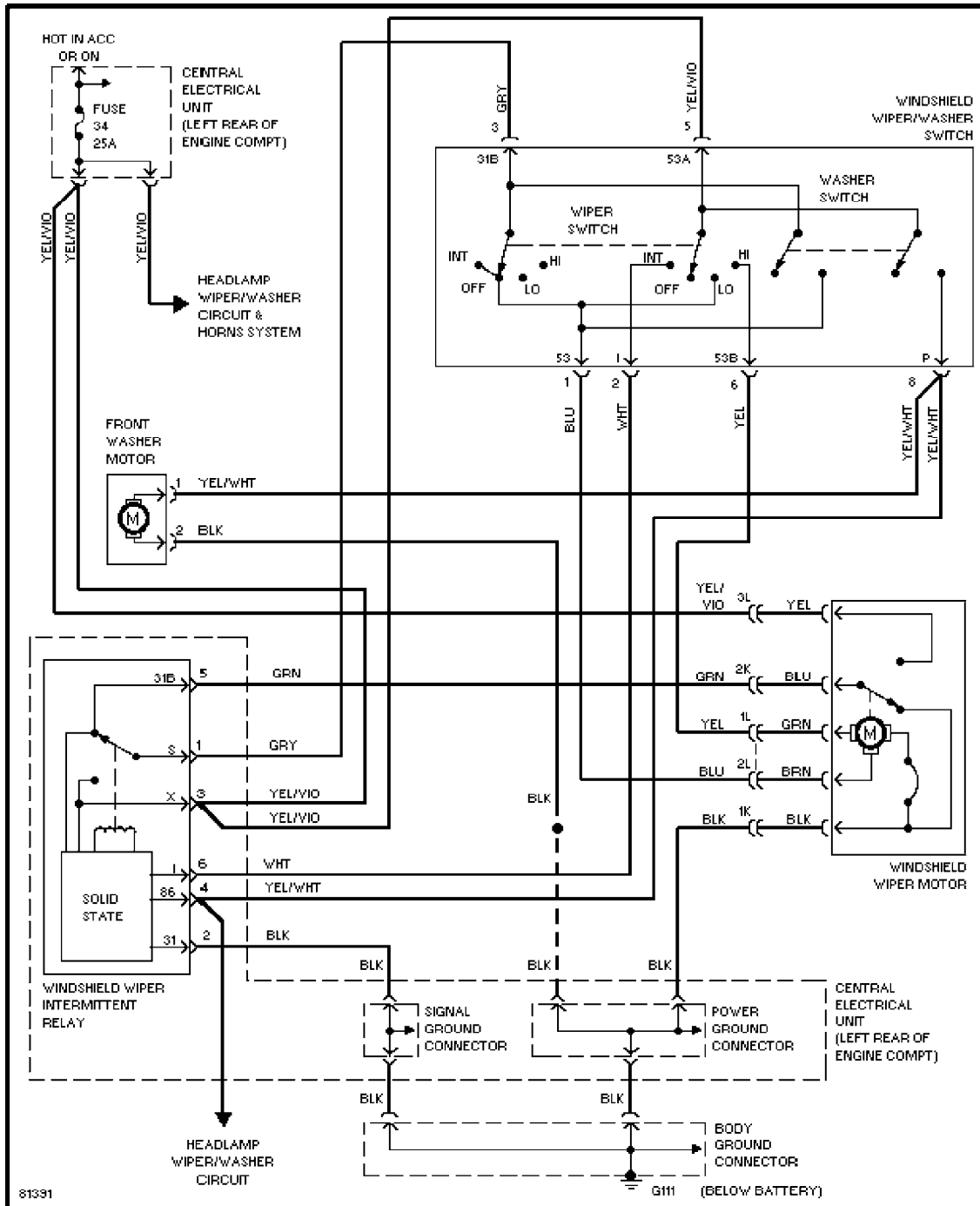


Fig. 7: Front Wiper/Washer System Wiring Diagram (1995 Early Production)

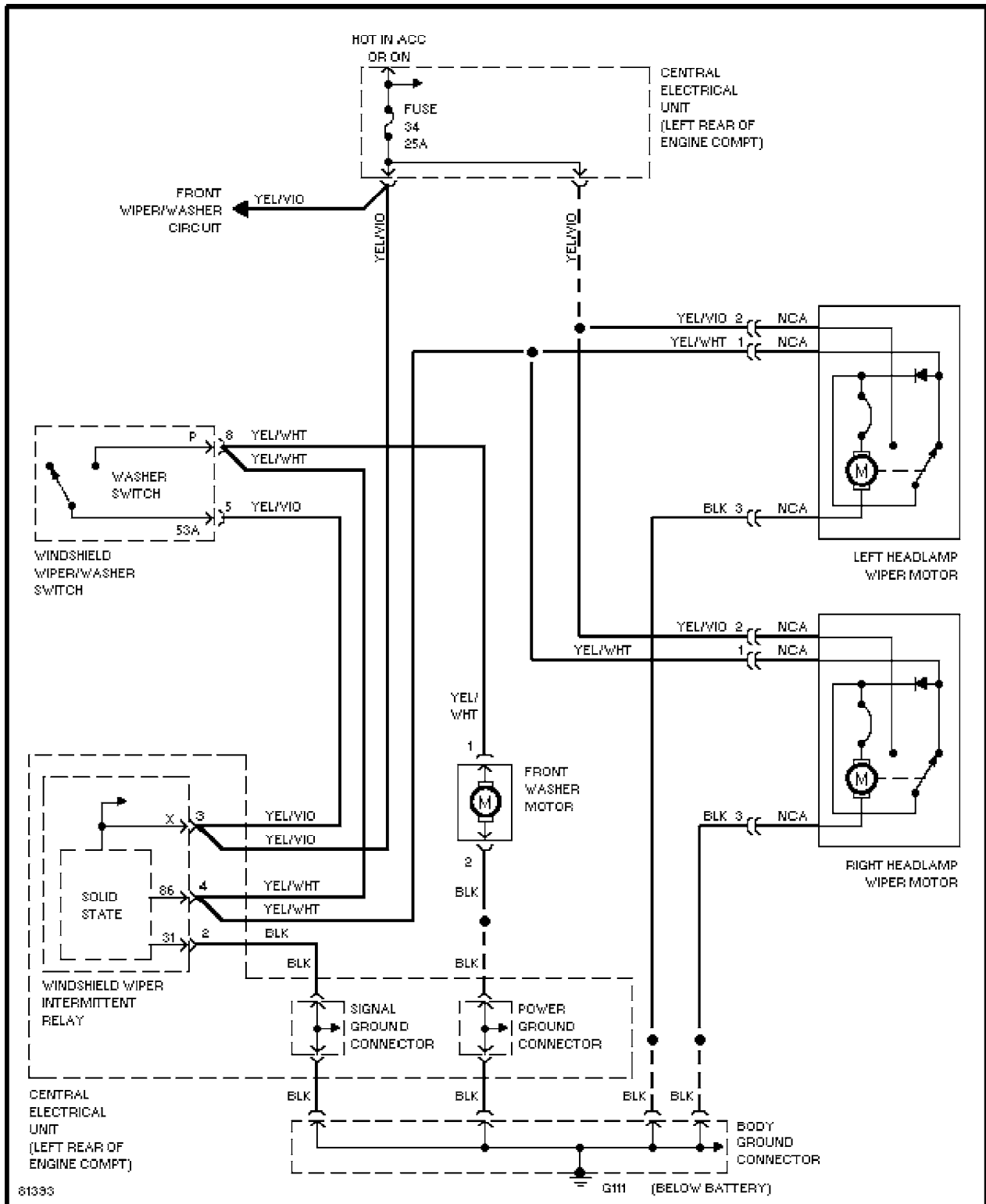


Fig. 9: Headlight Wiper/Washer System Wiring Diagram (1995 Early Production)

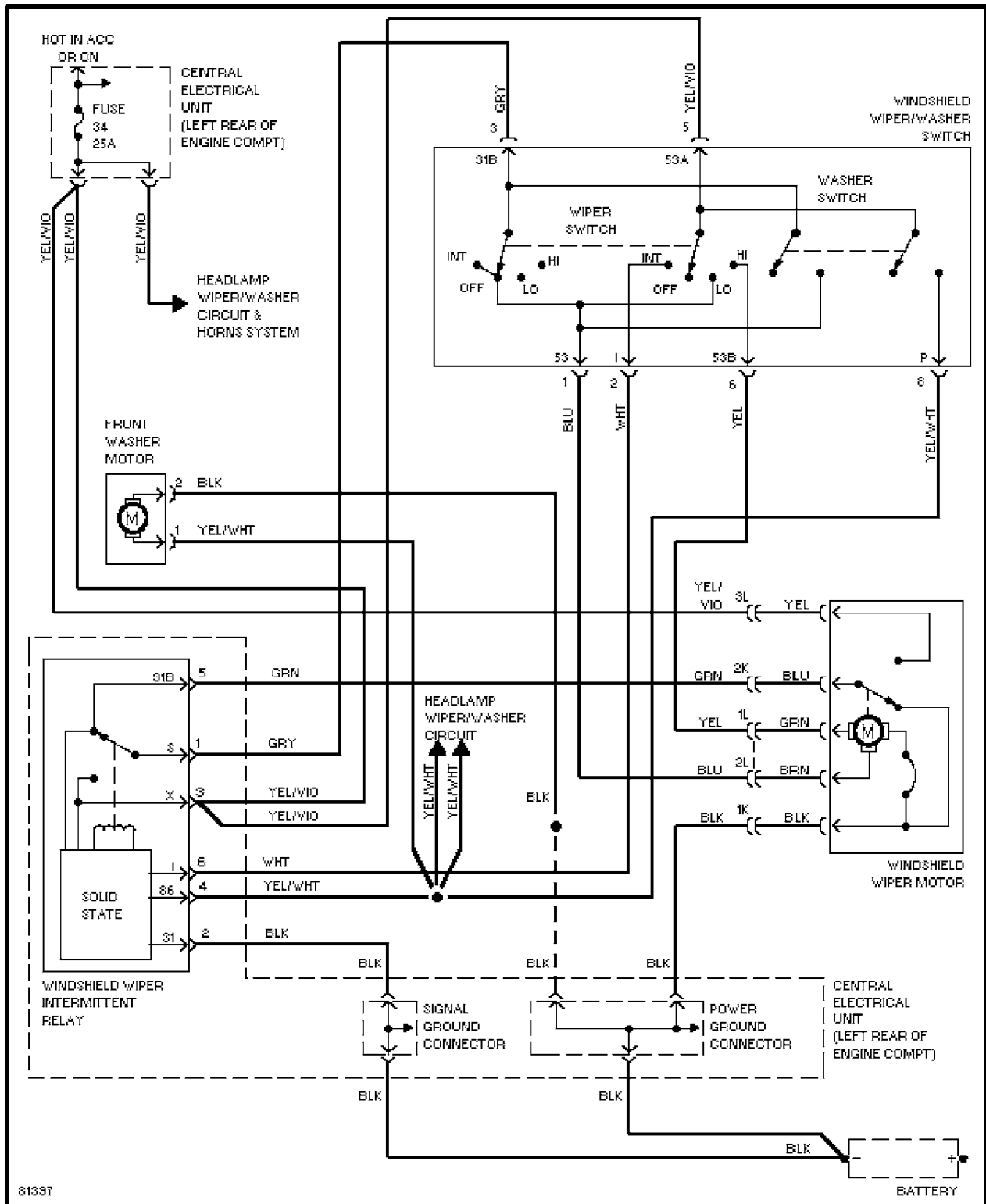


Fig. 10: Front Wiper/Washer System Wiring Diagram (1995 Late Production & 1996)

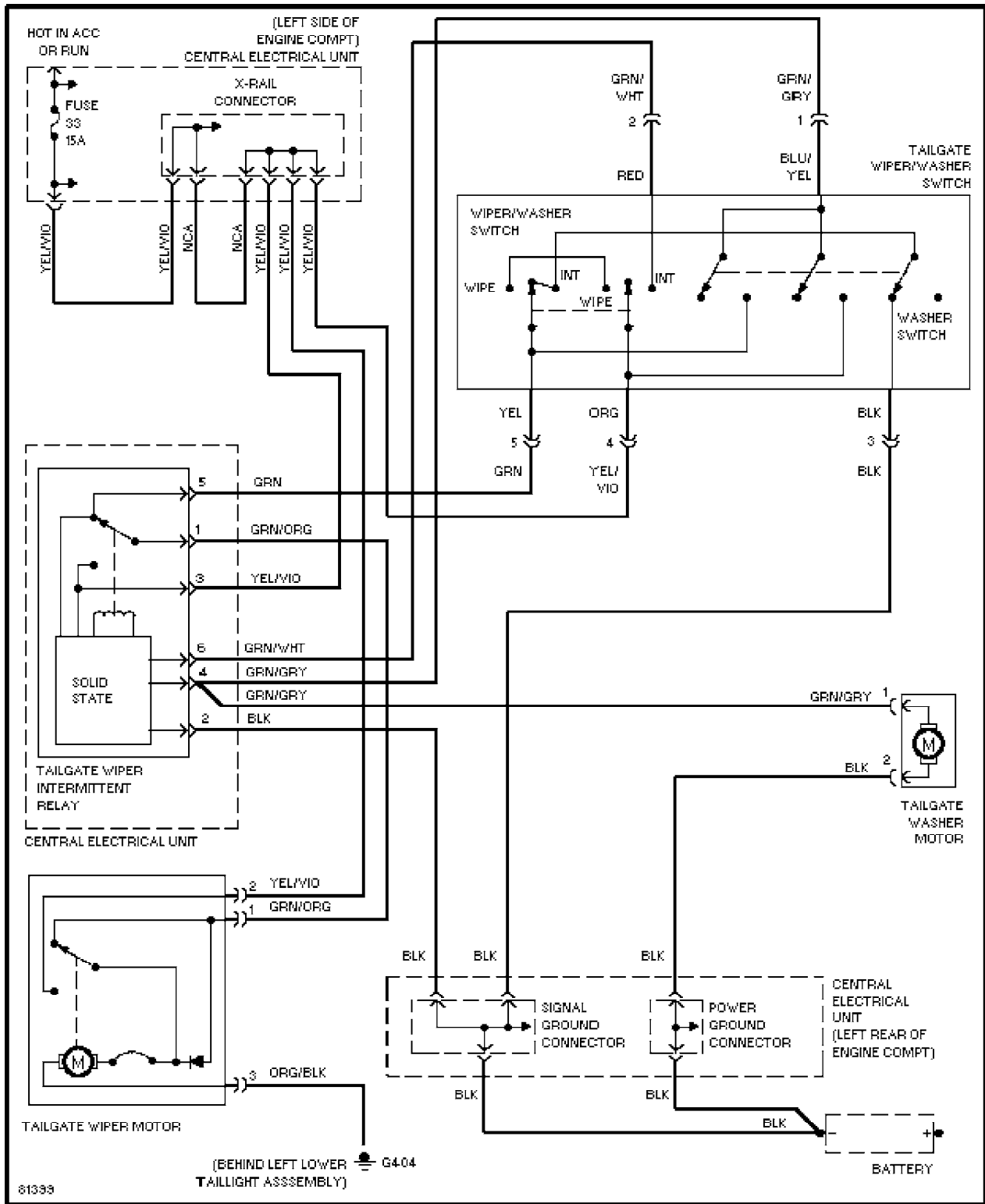


Fig. 11: Rear Wiper/Washer System Wiring Diagram (1995 Late Production & 1996)

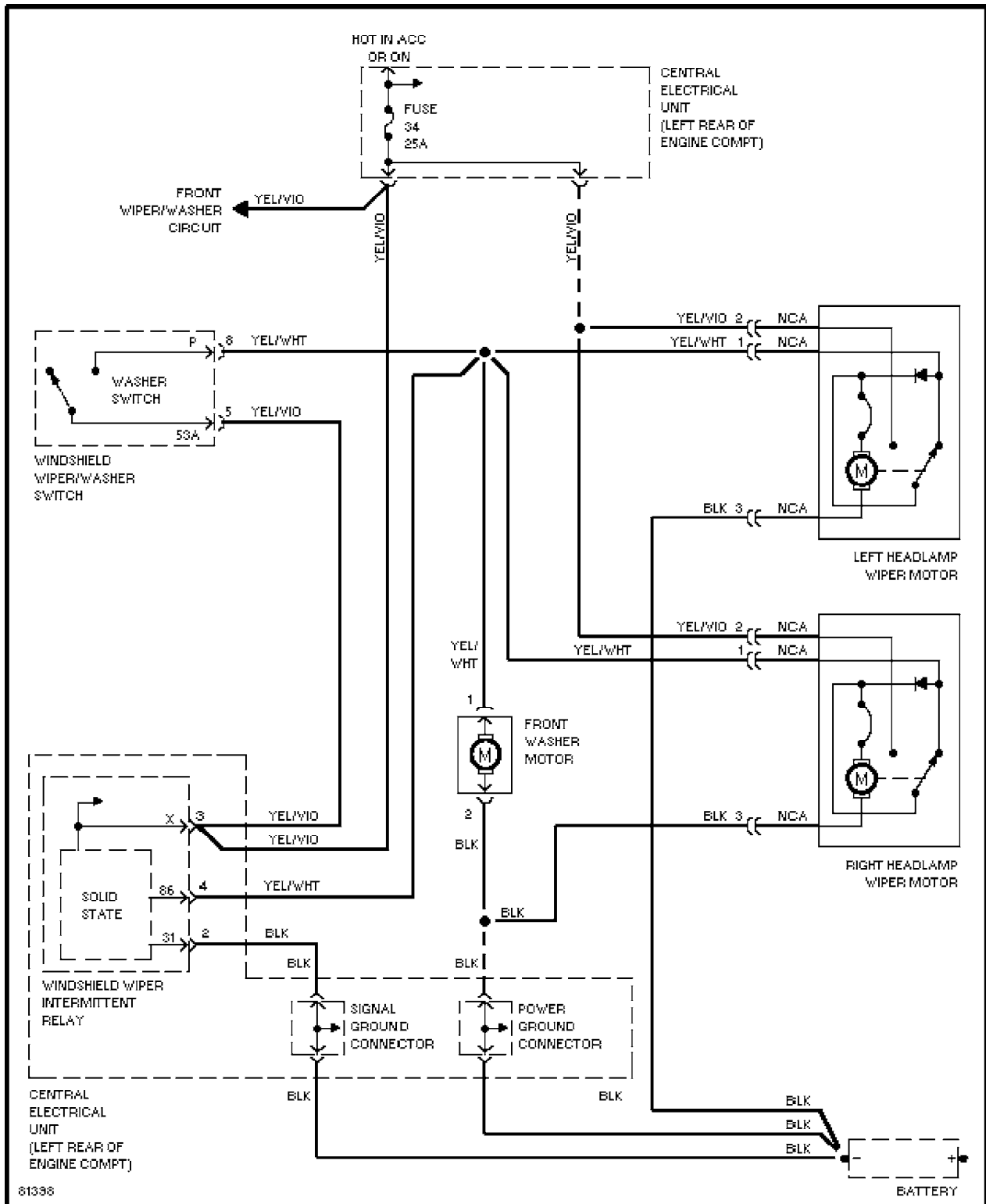


Fig. 12: Headlight Wiper/Washer System Wiring Diagram (1995 Late Production & 1996)